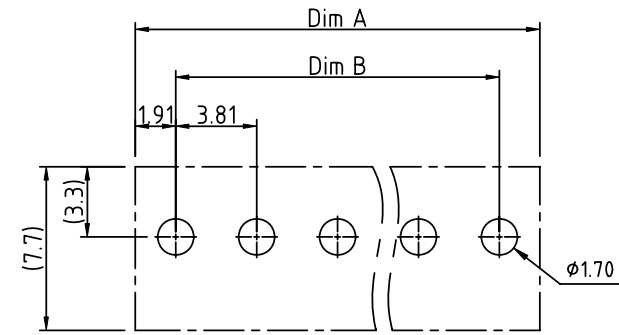
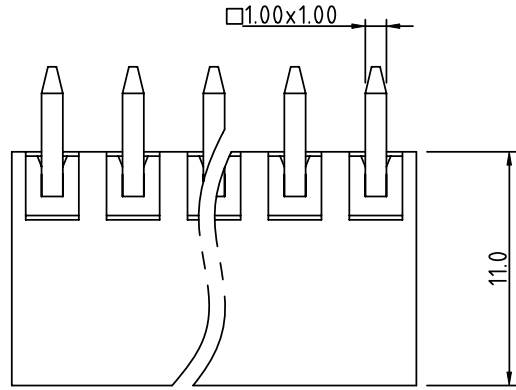
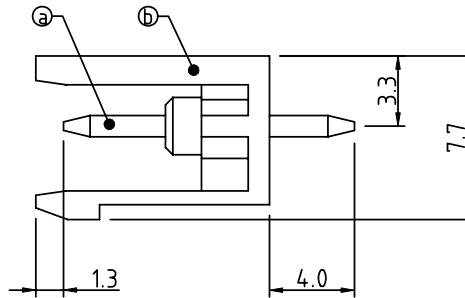
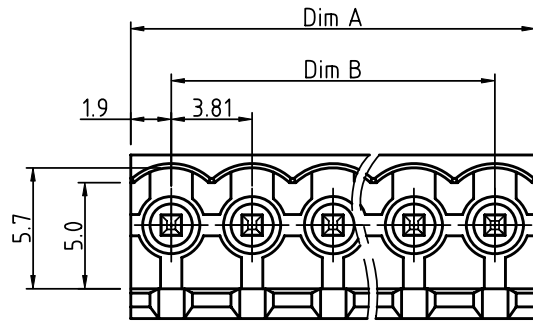


PRODUCT NUMBER	PITCH
VExx30x000J0G	3.81 mm



RECOMMENDED P.C.B LAYOUT  
TOP VIEW



Material:

- Item ① Contact pin: Copper, Tin plated
- Item ② Terminal(housing): Thermoplastic (UL94V-0)

Electrical:

- cULus
- Voltage rating: 300V
- Current rating: 8A
- Withstanding Voltage: 1.6 KV
- Operating temperature: -40°C to +115°C
- Soldering temperature: 260°C±5°C/5 Sec
- Safety Approval:

DIMENSION

Dim A	Nx3.81
Dim B	(N-1)X3.81

N= NUMBER OF POLES

Poles	Tolerance
2P-5P	±0.15
6P-10P	±0.20
11P-15P	±0.25
16P-20P	±0.30
21P-24P	±0.35

PART NO.: VE xx 30 x 0 00J0 G

Solid block	No. of poles	Color	RoHS compliant
0	2	Black (RAL9005)	(lead<4%) In copper Alloy
02	3	Red (RAL3001/D)	
03	4	Orange(RAL2011/P)	
...	5	Yellow(RAL1018/A)	
...	6	Green(RAL6018/T)	
24	7	Blue (RAL5015/A)	
	8	Grey(RAL7035/D)	
	9	White(RAL1102)	
	C	Green(RAL6018/U)	

mat'l. code		surface ASME Y14.5	tolerance ASME Y14.5	projection	product family TERMINAL BLOCK
ltr	ecn no	dr	date	tolerances unless otherwise specified	title TERMINAL BLOCK PLUGGABLE SOCKET, OPEN VERTICAL
				angles X±0.5 X.X±0.3 X°±1"	scale
				dr EVIN ZHONG 042214	dwg no VExx30x000J0G
				enr EVIN ZHONG 042214	sheet 1 of 1 size A4
				chr HANKE FENG 042214	type CUSTOMER Drawing
				appd SHI JUN 042214	
sheet index	revision sheet	A	1		