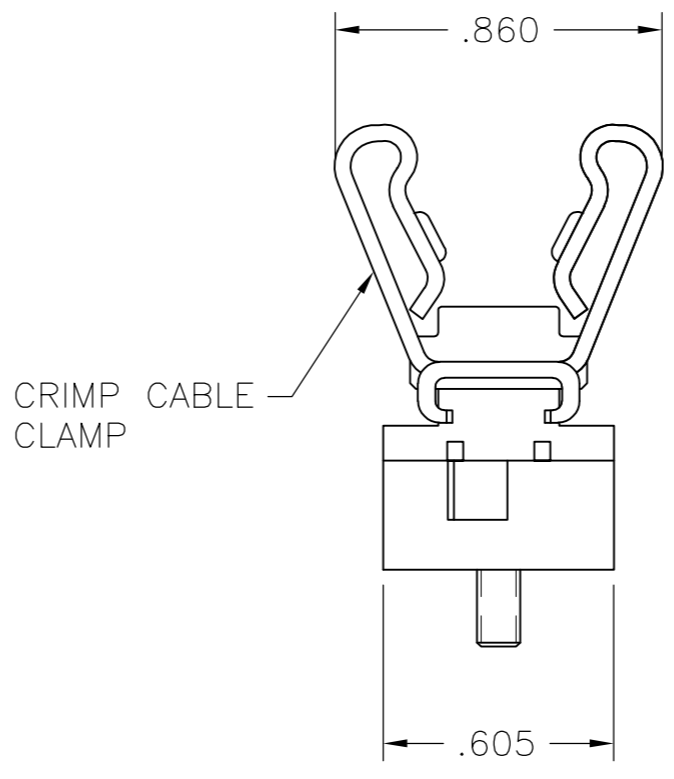
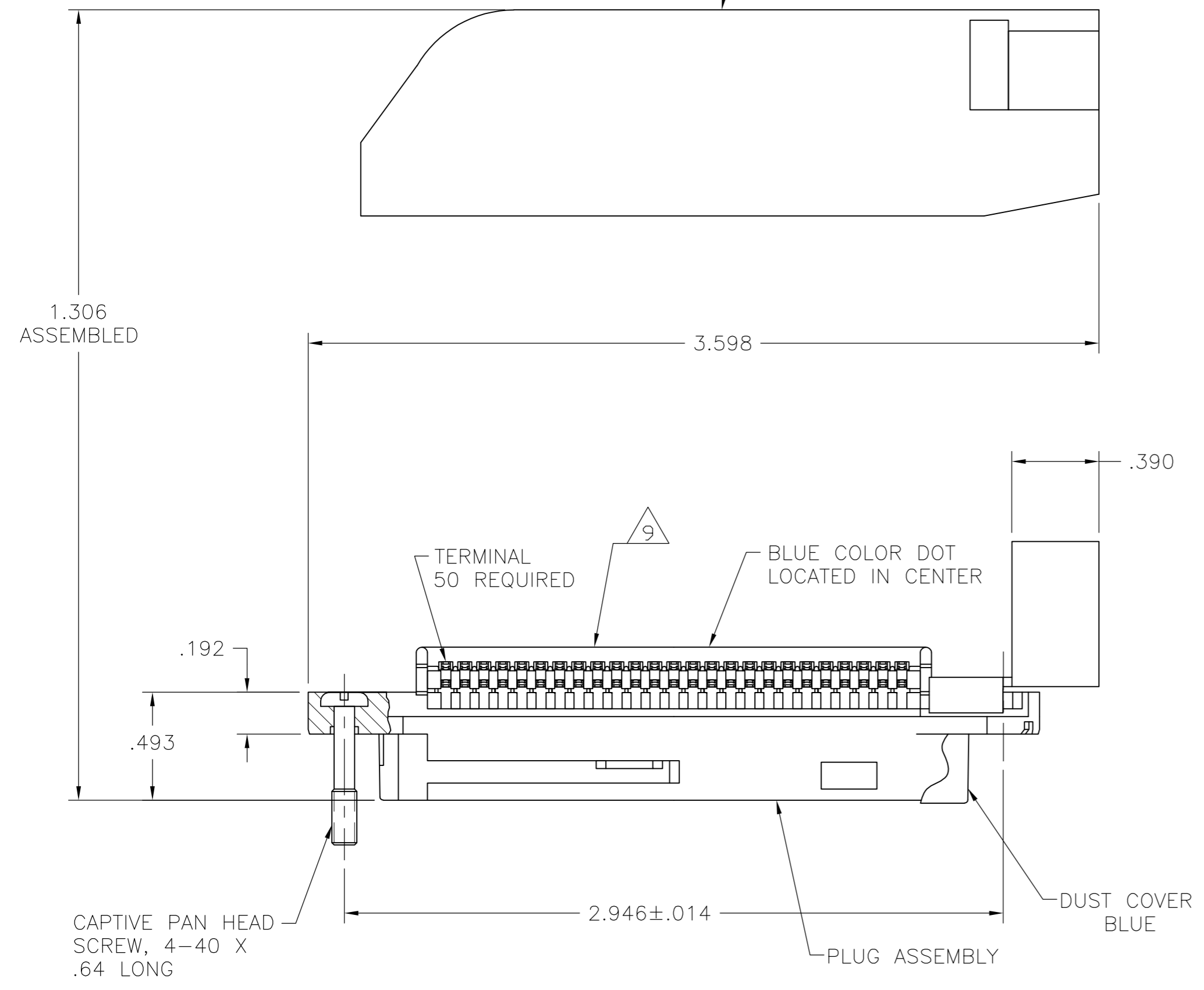


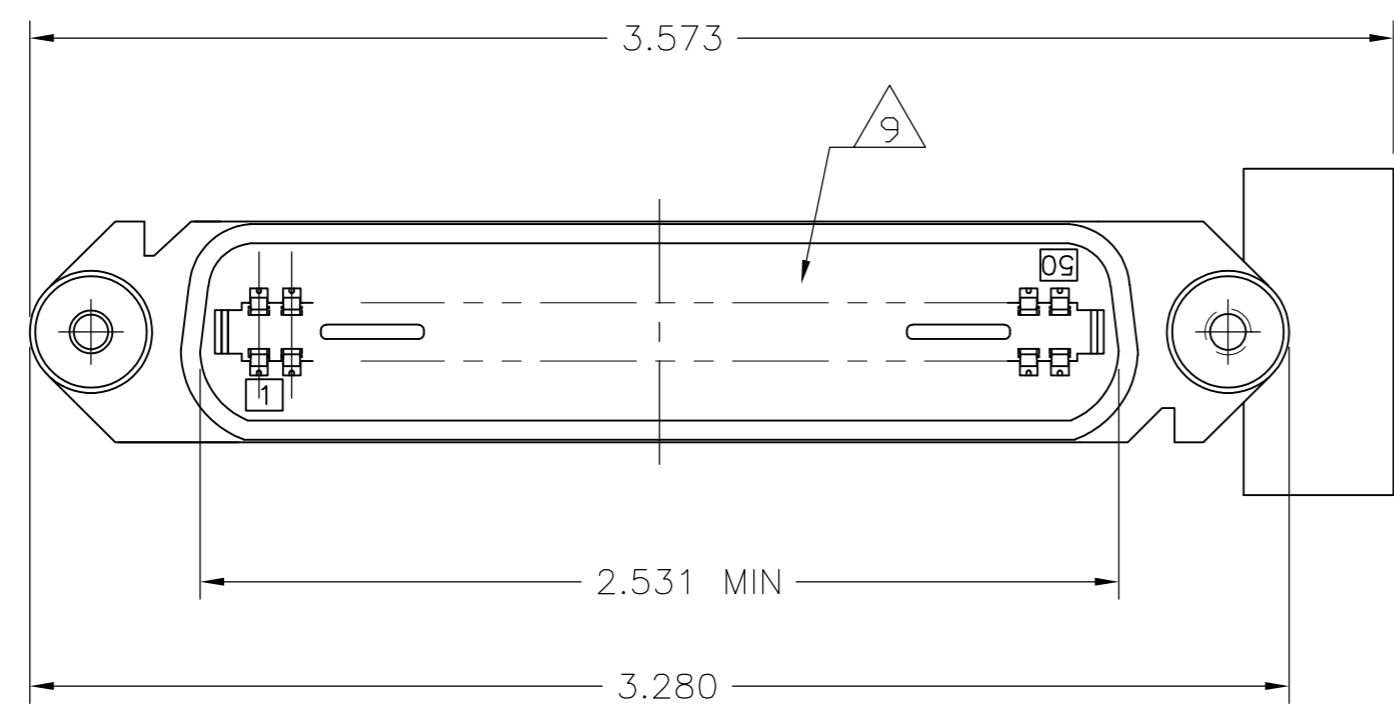
THIS DRAWING IS UNPUBLISHED. RELEASED FOR PUBLICATION
 © COPYRIGHT BY TYCO ELECTRONICS CORPORATION. ALL RIGHTS RESERVED.

LOC	DIST	REVISIONS					
GP	00	P	LTR	DESCRIPTION	DATE	DWN	APVD
		C		REVISED PER ECO-08-007327	02OCT08	BM	WM

CRIMP TYPE
90° SLIDE-ON COVER



1. THE CONTACT SURFACES OF THE TERMINALS ARE COATED WITH LUBRICANT.
2. MATERIAL: HOUSING & SLIDE ON COVER: POLYPHENYLENE. CABLE CLAMP & SCREW: ZINC PLATED STEEL. TERMINAL - HIGH STRENGTH COPPER ALLOY PLATED WITH EITHER .000030 MIN GOLD OR GOLD FLASH OVER PALLADIUM NICKEL PLATE, .000030 MIN TOTAL ON MATING SURFACE, .000050 MIN NICKEL UNDERPLATE OVER ENTIRE TERMINAL. DUST COVER: POLYETHYLENE
3. WIRE SIZE: 24 & 26 AWG SOLID OR 24 AWG 7 STRANDS OF COPPER CONDUCTORS. MAX INSULATION DIAMETER OF .045 IS ACCEPTABLE FOR MOST APPLICATIONS.
4. CENTER-TO-CENTER SPACING OF TERMINALS IS .085 NOMINAL.
5. CABLE CLAMP AND SCREW ARE ASSEMBLED TO CONNECTOR BEFORE SHIPMENT.
6. ALL DIMENSIONS ARE MAXIMUM UNLESS OTHERWISE SPECIFIED.
7. 90° COVER SHIPPED UNASSEMBLED WITH CABLE CLAMP UNCRIMPED.
8. KIT SHIPPED BULK PACKAGED.
9. CORING MAY OR MAY NOT APPEAR AND IS AT THE DISCRETION OF AMP INCORPORATED.



THIS DRAWING IS A CONTROLLED DOCUMENT.		DWN B. MCMASTER 01SEP06	YES		GRAY	5553213-3
DIMENSIONS: INCHES		CHK W. MILLHIMES 01SEP06	DUST COVER		COLOR	PART NUMBER
TOLERANCES UNLESS OTHERWISE SPECIFIED:		APVD W. MILLHIMES 01SEP06	Tyco Electronics Corporation Harrisburg, PA 17105-3608			
0 PLC ± -		PRODUCT SPEC	NAME PLUG KIT, 50 POSN, B SLOT, CRIMP TYPE, SCR & 90 DEGREE COVER, CHAMP-LOK			
1 PLC ± -		APPLICATION SPEC	SIZE	CAGE CODE	DRAWING NO	RESTRICTED TO
2 PLC ± -		WEIGHT	A2	00779	C=5553213	-
3 PLC ± -		CUSTOMER DRAWING	SCALE 2:1		SHEET 1 of 1	REV C
4 PLC ± -						
ANGLES ± -						
FINISH						

5553213