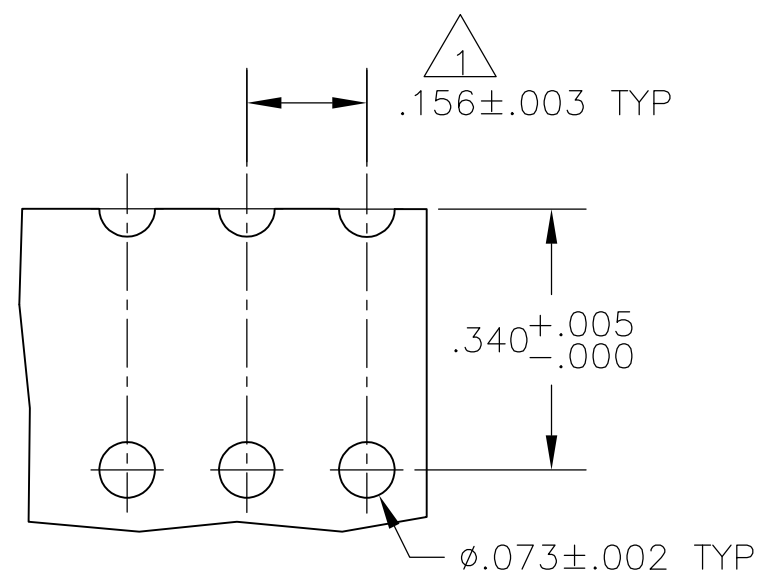
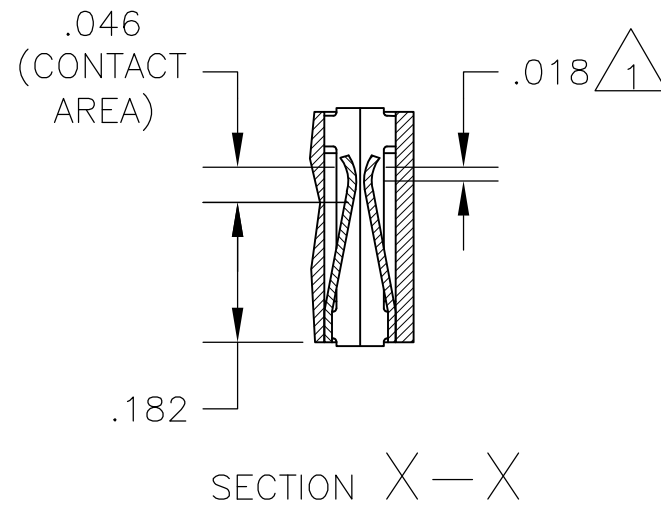


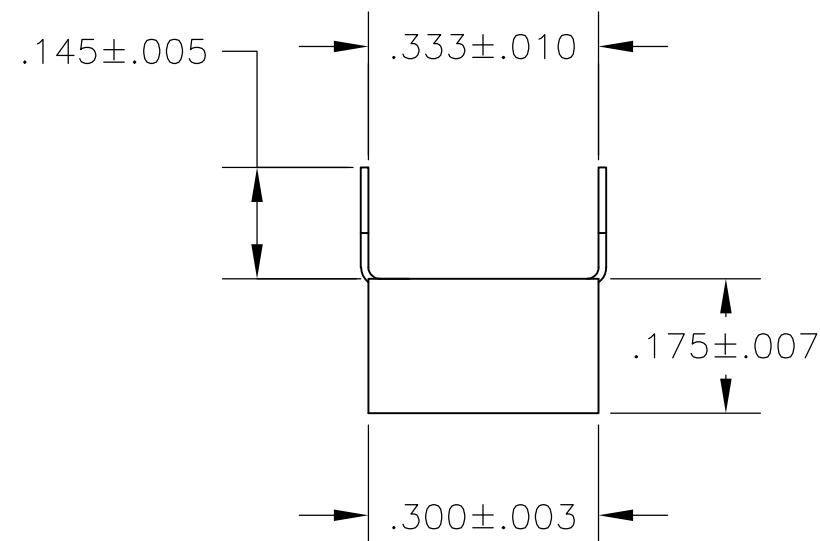
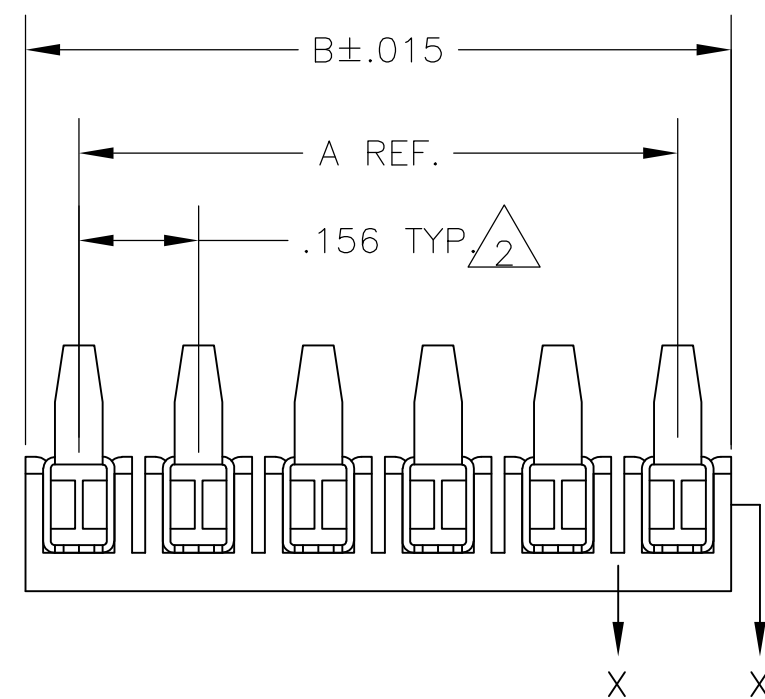
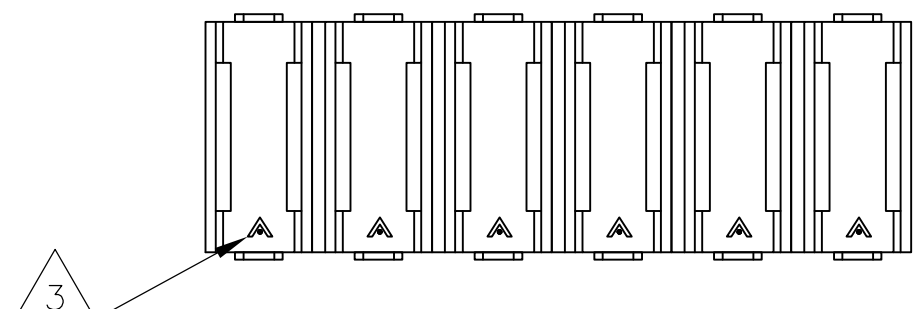
THIS DRAWING IS UNPUBLISHED. RELEASED FOR PUBLICATION
 © COPYRIGHT BY TYCO ELECTRONICS CORPORATION. ALL RIGHTS RESERVED.

LOC	DIST	REVISIONS					
AD	OO	P	LTR	DESCRIPTION	DATE	DWN	APVD
		L1		REVISED ECO-09-024927	06NOV09	KK	AEG



RECOMMENDED BOARD MOUNTING
 (RECOMMENDED BOARD THICKNESS: .055-.103)

- △1 POINT OF MEASUREMENT FOR PLATING THICKNESS (INSIDE OF BEAMS).
- △2 TOLERANCE NON-CUMULATIVE.
- △3 THE MATING END OF THE CONTACT IS IDENTIFIED BY THE LETTER "A" STAMPED ON THE RECEPTACLE BOX.
- △4 OBSOLETE PARTS: OBSOLETE CIS STREAMLINING PER D.RENAUD/D.SINISI



SIZE	CAGE CODE	DRAWING NO	RESTRICTED TO
3.120	2.964	20	2-87987-0
2.964	2.808	19	1-87987-9
2.808	2.652	18	1-87987-8
2.652	2.496	17	1-87987-7
2.496	2.340	16	1-87987-6
2.340	2.184	15	1-87987-5
2.184	2.028	14	1-87987-4
2.028	1.872	13	1-87987-3
1.872	1.716	12	1-87987-2
1.716	1.560	11	1-87987-1
1.560	1.404	10	1-87987-0
1.404	1.248	9	87987-9
1.248	1.092	8	87987-8
1.092	.936	7	87987-7
.936	.780	6	87987-6
.780	.624	5	87987-5
0.624	.468	4	87987-4
.468	.312	3	87987-3
.312	.156	2	87987-2
B	A	NO OF POSN	ASSEMBLY PART NUMBER

THIS DRAWING IS A CONTROLLED DOCUMENT.

DWN	L A MAYER	17MAR86
CHK	P deJONG	17MAR86
APVD	P deJONG	17MAR86

Tyco Electronics Corporation
 Harrisburg, Pa 17105-3608

NAME: ASSY, MOD I, BOARD MOUNT RECP,
 .156 CL, STD PRESSURE, TYPE C,
 FOR ROUND HOLE MOUNTING

SIZE	CAGE CODE	DRAWING NO	RESTRICTED TO
A2	00779	C=87987	-

SCALE: 4:1 SHEET 1 OF 1 REV L1

MATERIAL: HOUSING-FLAME RETARDANT THERMOPLASTIC, COLOR-BLACK CONTACTS-PHOS BRONZE
 FINISH: CONTACTS: .00079 MIN TIN

PRODUCT SPEC: 108-25,016
 APPLICATION SPEC: 114-25,004

WEIGHT: -
 CUSTOMER DRAWING