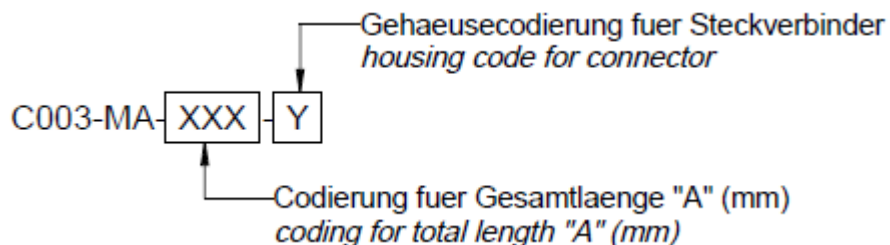


All dimensions are in mm; tolerances according to ISO 2768 c-H



	cable length [mm]			
Range length "a"	100 to 1000	1001 to 2000	2001 to 5000	> 5000
Tolerance for "a"	± 5	± 10	± 20	± 1%

### General Information

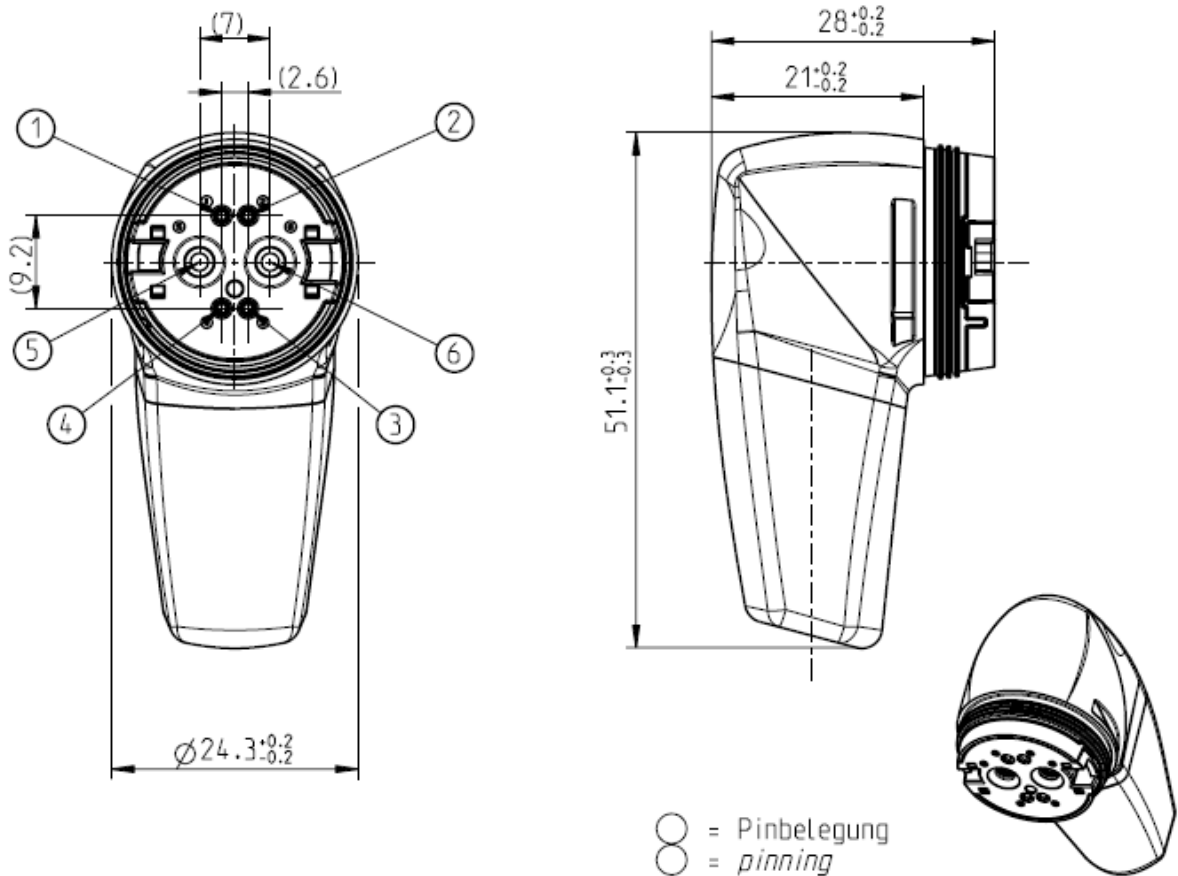
RoPD cable assembly with break-off plug consisting of

- |                             |                             |
|-----------------------------|-----------------------------|
| Break-off plug with magnets | Connector jack, right angle |
| Cable                       | RTK-MI 01                   |
| Second side                 | Open                        |
| Color                       | White, similar RAL 9003     |

Dieses Dokument ist urheberrechtlich geschützt • This document is protected by copyright • Rosenberger Hochfrequenztechnik GmbH & Co. KG

RF\_35/05:10/6.0

**Technical Data break-off plug**



○ = Pinbelegung  
○ = pinning

Pin	colour	cable cross section
1	green	0.35 mm <sup>2</sup>
2	blue	0.35 mm <sup>2</sup>
3	orange	0.35 mm <sup>2</sup>
4	brown	0.35 mm <sup>2</sup>
5	red	2.5 mm <sup>2</sup>
6	black	2.5 mm <sup>2</sup>

All dimensions are in mm; tolerances according to ISO 2768 m-H

**Interface**

According to Rosenberger Standard

Dieses Dokument ist urheberrechtlich geschützt • This document is protected by copyright • Rosenberger Hochfrequenztechnik GmbH & Co. KG

RF\_35/05:10/6.0

**Material and Plating break-off plug**

**Connector parts**

Housing  
Dielectric  
Sealing  
Magnets  
Bend protection, overmolded

**Material**

PBT  
PBT  
VMQ Silicone  
NdFeB  
TPU

**Plating / Color**

White, similar RAL 9003  
White, similar RAL 9003  
Nickel plated  
White, similar RAL 9003

**Pins 1-4, spring loaded contacts**

Piston  
Ferrule  
Spring

**Material**

Brass  
Brass  
Stainless steel wire

**Plating / Color**

Gold plated  
Gold plated

**Pins 5-6**

Power Pin  
Power Contact

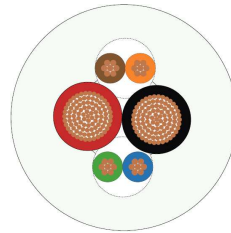
**Material**

Brass  
Beryllium copper

**Plating / Color**

Silver  
Silver

**Cable**



RTK-MI 01

**Flammability rating**

**Connector parts**

Housing  
Dielectric  
Sealing  
Bend protection  
Cable

**Category**

Uncolored raw material acc. to UL94 V-0\*  
Uncolored raw material acc. to UL94 V-0\*  
Uncolored raw material acc. to UL94 HB\*  
Uncolored raw material acc. to UL94 HB\*  
UL-Style 21328 (80 °C/150 V)

\*Please note that a non UL rated color batch is added

Dieses Dokument ist urheberrechtlich geschützt • This document is protected by copyright • Rosenberger Hochfrequenztechnik GmbH & Co. KG

RF\_35/05:10/6.0

**Electrical data**

**Pins 1-4**

Insulation resistance	≥ 1 x100 MΩ
Contact resistance	≤ 40 mΩ initial
Working voltage	12 V
Max. Current	2 A per pin

**Pins 5-6**

Insulation resistance	≥ 1 x100 MΩ
Power current	≤ 30 A DC
Contact resistance	≤ 7 mΩ
Working voltage	≤ 60 V DC

**Warning!**

**Customer is responsible for implementing adequate safety measures:  
Power supply to Pins 5 & 6 must be deactivated unless they are completely plugged in.  
Power to pins 5 & 6 must only be activated upon full insertion of signal pins 1 - 4.  
Misuse may damage contact!**

**Mechanical data**

Mating cycles	min. 2.500
Disengagement force each contact	min. 25 N

**Environmental data**

Temperature range	-40 °C to +65 °C
Thermal shock	DIN IEC 60068-2-14 Test NA
Temperature and humidity	DIN EN 60068-2-30 (2)
Vibration resistance	3 axes, 6h, 10Hz-180Hz, 12.38m/s <sup>2</sup>
Shock resistance	3 axes, 150 shocks, 6ms, 30g
Mechanical Shock	DIN IEC 60068-2-27
High-Temp. Exposure	DIN IEC 60068-2-2
Dust and water resistance clip on port	DIN EN 60529 IP64/IP67

**Compliance**

RoHS	compliant
------	-----------



Dieses Dokument ist urheberrechtlich geschützt • This document is protected by copyright • Rosenberger Hochfrequenztechnik GmbH & Co. KG

RF\_35/05:10/6.0

**Packing**

According to VK 18.0000

Packaging Instruction for standard packaging of components with magnets.  
Packing unit depends on cable length, max. 8kg

**Preliminary**

**Caution!**

**Magnets can impact the function of pace makers and implantable cardioverter-defibrillators (e.g. actuation of reed switch). Keep a minimum distance of 0.2 m (20 cm) between the magnetic connector and the implanted devices to prevent malfunction and danger to health.**

While the information has been carefully compiled to the best of our knowledge, nothing is intended as representation or warranty on our part and no statement herein shall be construed as recommendation to infringe existing patents. In the effort to improve our products, we reserve the right to make changes judged to be necessary.

Draft	Date	Approved	Date	Rev.	Engineering change number	Name	Date
T. Scheuerlein	02.02.17	T. Scheuerlein	03.05.17	100	17-v316	A. Streibl	03.05.17
Rosenberger Hochfrequenztechnik GmbH & Co. KG P.O.Box 1260 D-84526 Tittmoning Germany <a href="http://www.rosenberger.de">www.rosenberger.de</a>					Tel. : +49 8684 18-0 Fax : +49 8684 18-499 Email : <a href="mailto:info@rosenberger.de">info@rosenberger.de</a>		Page 5 / 5