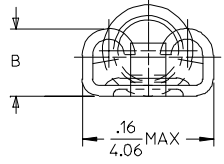
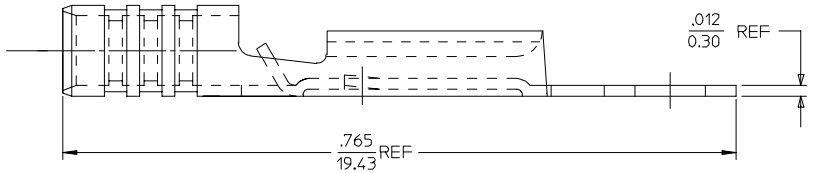
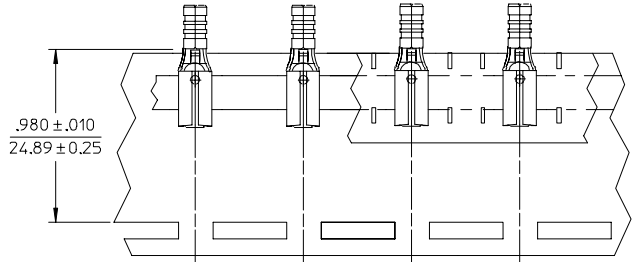
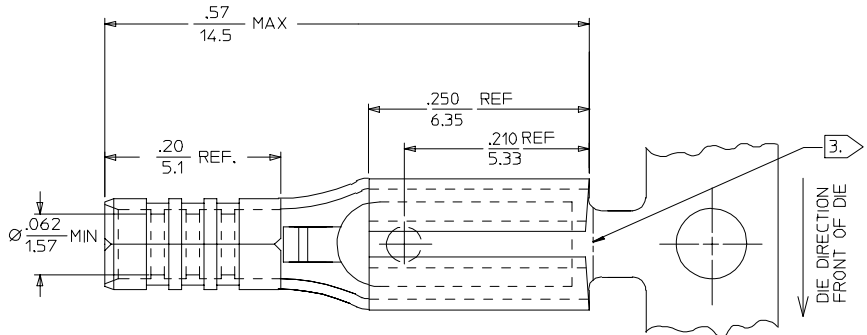


MATERIAL NUMBER	ENGINEERING NUMBER	DESCRIPTION	DM B MAX
190160001	AA-1131	.110 X .020 (2.80 X 0.51) FEMALE QD W/ DIMPLE LOOSE PIECE	.078/1.98
190160002	AA-1131T	.110 X .020 (2.80 X 0.51) FEMALE QD W/ DIMPLE ON TAPE	
190160210	AAZ-1131MOD	.110 X .020 (2.80 X 0.51) FEMALE QD W/OUT DIMPLE ON STRIP	
190160021	AAZ-1134	.110 X .032 (2.80 X 0.81) FEMALE QD W/ DIMPLE ON STRIP	.085/2.16
190160003	AA-1134	.110 X .032 (2.80 X 0.81) FEMALE QD W/ DIMPLE LOOSE PIECE	
190160004	AA-1134T	.110 X .032 (2.80 X 0.81) FEMALE QD W/ DIMPLE ON TAPE	
190160226	AAZ-1134MOD	.110 X .032 (2.80 X 0.81) FEMALE QD W/OUT DIMPLE ON STRIP	



SALES DRAWING

NOTES:

- MATERIAL: BRASS.
- PLATED TIN.
- LOOSE PIECE PARTS TO HAVE CUT-OFF TAB .005/.020 (0.13/0.51).
- PART IS ROHS COMPLIANT.

CHG DIM. B IN CHART EC NO: ETC2007-0334 2007/03/14 DRW: NEHLE CHKD: IMACNEIL 2007/03/14 APPR: IMACNEIL 2007/03/15	QUALITY SYMBOLS = 0 = 0	GENERAL TOLERANCES (UNLESS SPECIFIED)		DIMENSION STYLE IN/MM		SCALE 10:1	DESIGN UNITS INCH	THIRD ANGLE PROJECTION	
		4 PLACES ± --- ± ---	mm	INCH	DRAWN BY BENDERLE	DATE 2004/07/15	TITLE .110 (2.80) QD 22-18 AWG X.020 (0.51), .032 (0.81) WITH & WITHOUT DIMPLE		
		3 PLACES ± --- ± ---			CHECKED BY R DEROSS	DATE 2004/07/15	MOLEX INCORPORATED		
		2 PLACES ± --- ± ---			APPROVED BY R DEROSS	DATE 2004/07/15	DOCUMENT NO. SD-19016-012		
1 PLACE ± --- ± ---			ANGULAR ± --- °		MATERIAL NO.		SHEET NO. 1 OF 1		
DRAFT WHERE APPLICABLE MUST REMAIN WITHIN DIMENSIONS				SEE CHART					
THIS DRAWING CONTAINS INFORMATION THAT IS PROPRIETARY TO MOLEX INCORPORATED AND SHOULD NOT BE USED WITHOUT WRITTEN PERMISSION									