

5

4

3

2

1



Description: 95 series solder panel & cable mount high density D-Sub connectors

Part No: 40-9515HDM

Application: 95 Series D-Sub Connector

Crimp Tool: N/A

Impedance: N/A

Frequency Range: N/A

Material: Shell Steel, Tin plated

Insulator PBT+30% Fiber-grass

UL94-V0 White

Contact Copper-alloy, Gold-flashed plated

RoHS Compliance: Yes

Technical Detail: N/A

DRAWING NO.
40-9515HDM-CUST(SEE TABLE I)

REVISIONS

OFFICIAL RELEASE					
01	03-09-11	J	J	D	

D

D

C

C

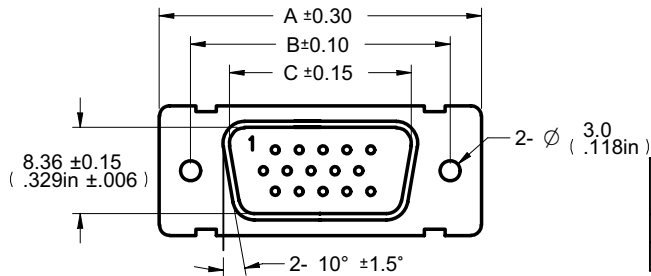
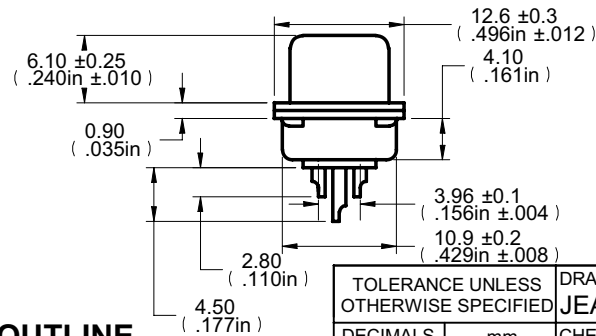
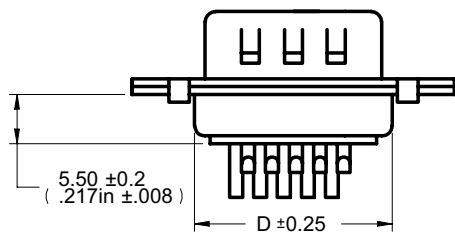


TABLE I

Part Number	Description	A (mm)	B (mm)	C (mm)	D (mm)
40-9515HDM	MALE- PLUG, SOLDER TYPE	30.80	24.99	16.92	19.20
40-9526HDM	MALE- PLUG, SOLDER TYPE	39.20	33.32	25.25	27.70

B

B



A

A

DIM OUTLINE

受控 CONTROLLED DOCUMENT					
编号 P/N	40-9515HDM-CUST (SEE TABLE 1)	版本 Rev	01	日期 Rel'd Date	Jul11,11

TOLERANCE UNLESS OTHERWISE SPECIFIED		DRAWN BY JEAN.JIN	DATE 03-09-11
DECIMALS	mm	CHECKED BY JEAN.JIN	DATE 03-09-11
X	± 0.5	APPROVED BY DONALD	DATE 03-09-11
X.X	± 0.3	U/M	mm
X.XX	±0.15		
ANGLES	± 0.5°		



TITLE
95 SERIES SOLDER PANEL & CABLE MOUNT
HIGH DENSITY D-SUB CONNECTORS

SHEET
1 OF 1

DRAWING NO.
40-9515HDM-CUST
(SEE TABLE I)

SIZE
A

THIS DRAWING WAS PRODUCED BY COMPUTER,
DO NOT SCALE DRAWING OR UPDATE MANUALLY.

5

4

3

2

1