

Technical specification:

Rated voltage: IEC 61076-2-101	4pos 5pos 8pos 250 V 60 V 30 V
Current rating: IEC 61076-2-101	4/5pos 8pos 4 A at 40°C 2 A at 40°C
Insulation resistance: IEC 60512	>=100 MΩ
Pollution degree: IEC 60664-1	3/2
Degree of protection: IEC 60529	IP 69K, in mated condition
Temperature range: EN 60512-11-10 EN 60512-11-4	-30°C ... +105°C -40°C -40°C ... +85°C
Mating cycles: IEC 60512-9a	>=100

Wire specification:

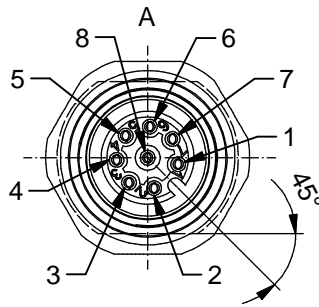
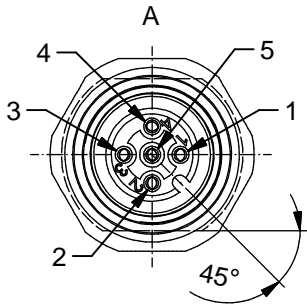
Temperatur range static	-30°C ... +80°C
flexibel	-10°C ... +80°C

Materials:

Contact:	CuZn, Ni b / Au 0,2 gal.
Contact carrier:	PP GF, UL 94 HB
Sealing:	FPM
Socket housing:	1.4404, stainless steel
Grouting:	Polyurethane-resin, UL 94

Installation specification:

Recommended torque:	1-1,2 Nm
Conec installation tool:	Torque wrench: 36-000200 Insert across flats 17: 36-000230

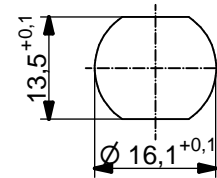


Contact assignment:

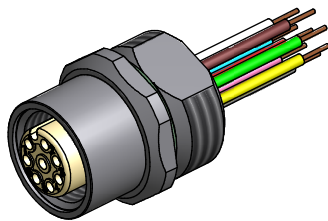
- 1) brown
- 2) white
- 3) blue
- 4) black
- 5) green-yellow

Contact assignment:

- 1) white
- 2) brown
- 3) green
- 4) yellow
- 5) grey
- 6) pink
- 7) blue
- 8) red



Minimum wall thickness 1,5mm, alternativ panel cut-out d=16,1



Part no:	Description:	Pos	Length L:	Wire:
43-01018	SAL - FB - 12 - FK4 - 0,5	4	0,5m	AWG 24 PVC, UL
43-xxxxx	SAL - FB - 12 - FK4 - ...	4	x	
43-01019	SAL - FB - 12 - FK5 - 0,5	5	0,5m	
43-xxxxx	SAL - FB - 12 - FK5 - ...	5	x	
43-02823	SAL - FB - 12 - FK8 - 0,5	8	0,5m	
43-xxxxx	SAL - FB - 12 - FK8 - ...	8	x	

DO NOT ALTER CAD DRAWING BY HAND	RoHS & REACH compliant	Index c: 26.01.16 rch Ä5944 Data sheet revised, article 8pos added	dim. in mm	title: Female socket M12x1 with wire, frontmounting, FB
		tolerance of wire: L ≤ 0,5m: L + 20mm L > 0,5m: L + 4%	date: 20.02.07 name: Fromm	
		general tolerance: 0 ± 0,50mm 0,0 ± 0,25mm 0,00 ± 0,10mm ± ± 1,5°	appd. 06.03.07 name: Mankopf	
		CONEC ®	43K1A290	
THIS DRAWING MAY NOT BE COPIED OR REPRODUCED IN ANY WAY, AND MAY NOT BE PASSED ON TO A THIRD PARTY WITHOUT WRITTEN PERMISSION. OWNERSHIP AND COPYRIGHT OF CONEC GmbH				part no: