

ROTATES & LOCKS IN
30° INCREMENTS

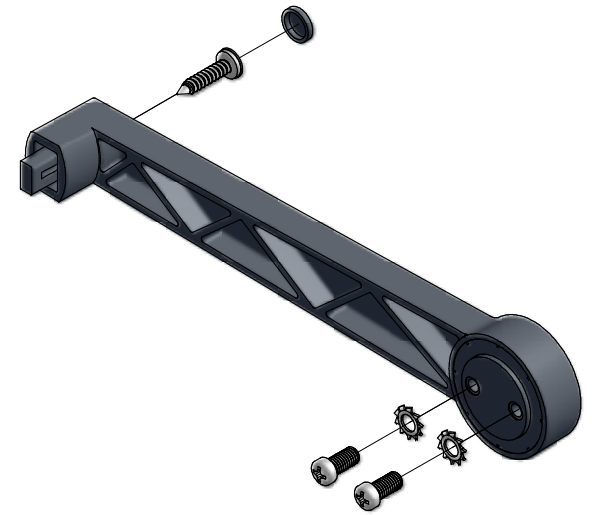
SOLD IN PAIRS

Ø23.62 mm
[0.930 in]

162.77 mm
[6.408 in]

2.4°

ASSEMBLY - VIEW FROM OUTSIDE



EXPLODED VIEW

13.97 mm
[0.550 in]

2.02 mm
[0.079 in]

11.43 mm
[0.450 in]

24.13 mm
[0.950 in]

7.62 mm
[0.300 in]

ASSEMBLY - VIEW FROM TOP

16.59 mm
[0.653 in]

10.16 mm
[0.400 in]

R18.73 mm
[0.738 in]

5.08 mm
[0.200 in]

ASSEMBLY - VIEW FROM INSIDE

1427BAILKIT1

Bails - Black Polycarbonate (2x)

Hardware

2 - #8 x 3/4" AB Type Screws

2 - Black Cap Covers

4 - M5 x 10 Screws

4 - M5 Locktooth Washer

Accessories

M3265-1003 - One Meter Long Black Anodized
Aluminum Extrusion



HAMMOND
MANUFACTURING™

1427BAILKIT1

www.hammondmfg.com