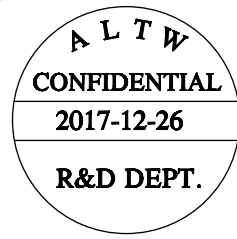
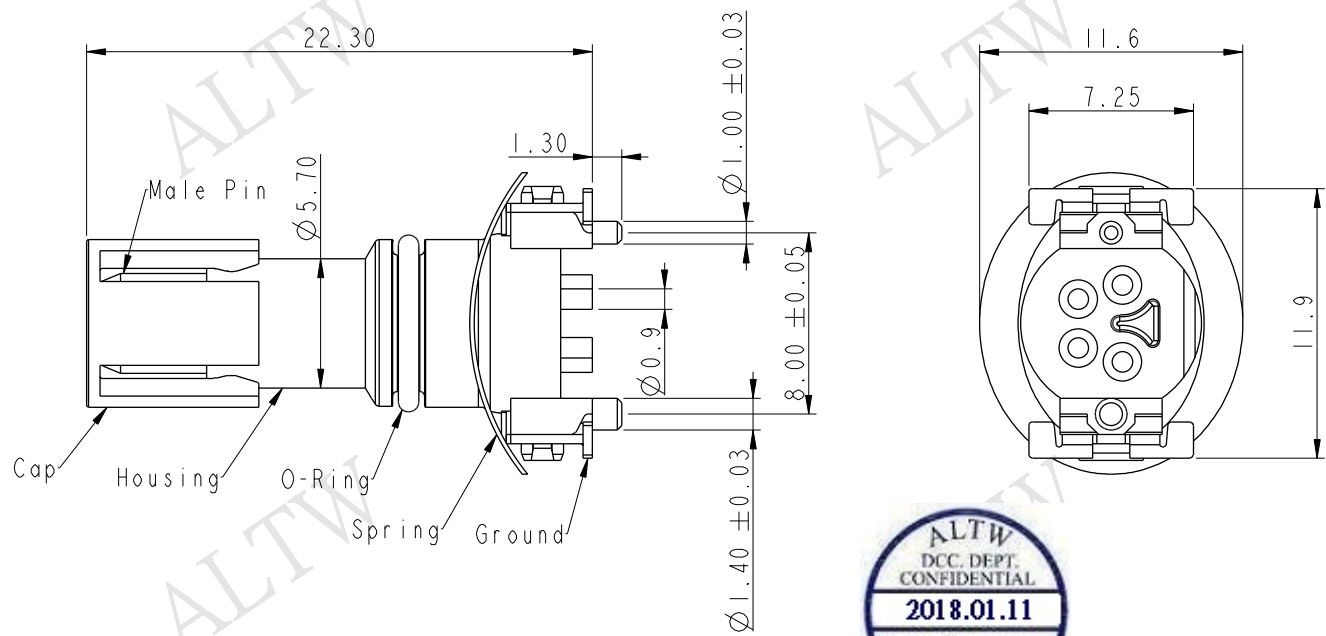


REV.	ECN NO.	DATE	SIGN	DESCRIPTION
A	Initial Release	2017/12/26	Jason Yu	New Item



M 8 S - X X P M M T - E E 8 0 0 1

M8S: M8 Shield 001: Serial Number

03: 3Pin 8: IP68(Mated, 1M/24Hours)

04: 4Pin IP65(Unmated)

P: Panel E: None Back Shell

M: Male Connector E: None Mating Style

M: Male Pin T: SMT Type

Note:

- * CC Important Dimension to Check

Material Specification:

- * Housing: Thermoplastic
- * Male Pin: Copper Alloy, Gold Plated
- * Ground: Copper Alloy, Tin Plated
- * Spring: Stainless Steel

Electrical Specification:

- * Contact Resistance: $10\text{m}\Omega$ (Max.)
- * Insulation Resistance: $100\text{M}\Omega$ (Min.)
- * Dielectric Withstanding Voltage: 1KV
- * Rated Voltage: 60V d.c. or a.c.
- * Rated Current: 3A

Mechanical Specification:

- * Durability: 1000 Cycles (IEC:100 Cycles)

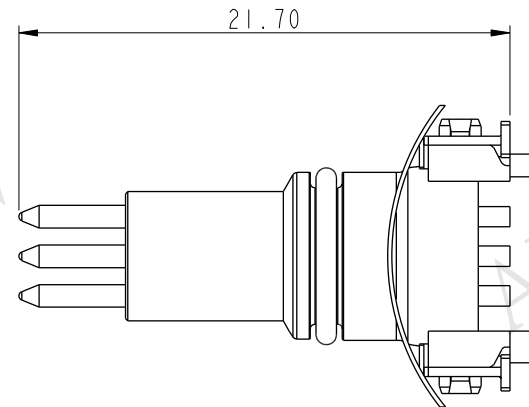
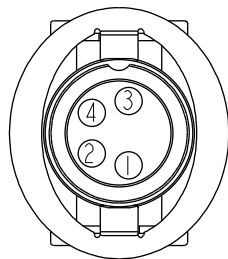
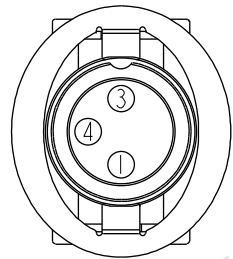
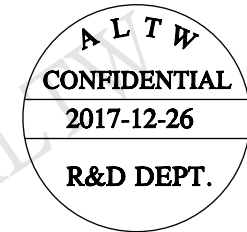
Environmental Specification:

- * Temperature Range: $-55\sim+125^{\circ}\text{C}$
- * Salt Spray: 48 Hrs
- * SMT Temperature & Time: $260^{\circ}\text{C} / 5 \text{ sec}$
- * SMT Paste : 0.12mm

UNIT:mm			TITLE M8 M CONN M PIN SMT TYPE			ITEM NO	DRAWN BY Jason Yu	DATE 2017/12/26
			SCALE 3:1	SIZE A4	SHEET 1 OF 4	DWG NO M8S-XXPMMT-EE8XXX	CHECKED BY Arvin Chan	DATE 2017/12/26
TOLERANCE .X ±0.25 .XX ±0.1 .XXX ±0.05 ANGLES ±1°	REV. A	WC-REV. A.5	CC : Inspection item		CUSTOMER ALTW	APPROVED BY Kevin Hu	DATE 2017/12/26	

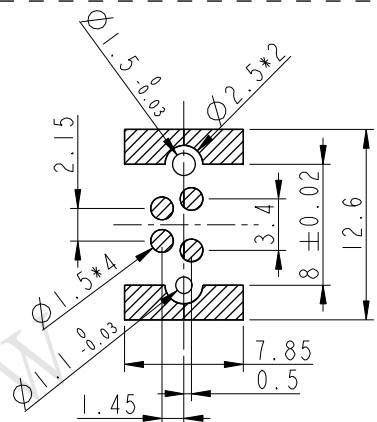
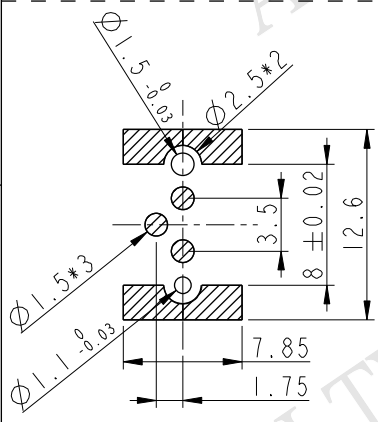
Amphenol LTW
安費諾亮泰企業股份有限公司

THIS DOCUMENT IS SUBJECT TO CHANGE WITHOUT NOTICE. IT IS CONFIDENTIAL AND A PROPERTY OF AMPHENOL LTW. DISCLOSURE TO THIRD PARTY HAS TO BE AUTHORIZED BY AMPHENOL LTW.



3 Pin

4 Pin



Recommended PCB Layout

Recommended PCB Layout

UNIT: mm		
TOLERANCE		
.X	±0.25	
.XX	±0.1	
.XXX	±0.05	
ANGLES	±1°	

TITLE M8 M CONN M PIN SMT TYPE			
SCALE Free	SIZE A4	SHEET 2 OF 4	
REV. A	WC-REV. A.3	QC: Inspection item	

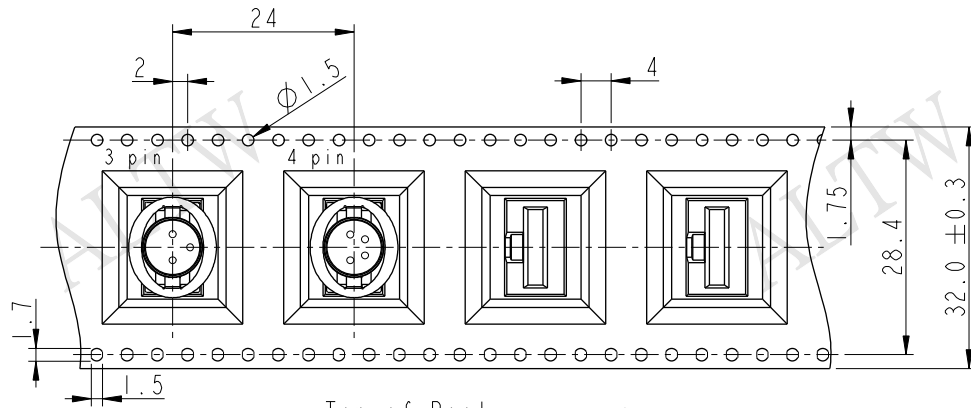
Amphenol LTW
安費諾亮泰企業股份有限公司

ITEM NO	DRAWN BY Jason Yu	DATE 2017/12/26
DWG NO M8S-XXPMMT-EE8XXX	CHECKED BY Arvin Chan	DATE 2017/12/26
CUSTOMER ALTW	APPROVED BY Kevin Hu	DATE 2017/12/26

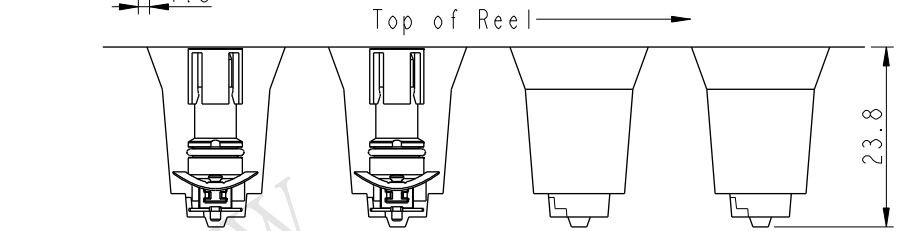
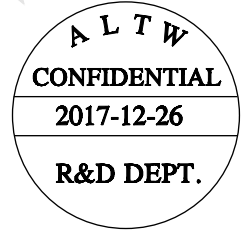
DATE 2017/12/26
DATE 2017/12/26
DATE 2017/12/26

THIS DOCUMENT IS SUBJECT TO CHANGE WITHOUT NOTICE. IT IS CONFIDENTIAL AND A PROPERTY OF AMPHENOL LTW. DISCLOSURE TO THIRD PARTY HAS TO BE AUTHORIZED BY AMPHENOL LTW.

Tape & Reel Information:

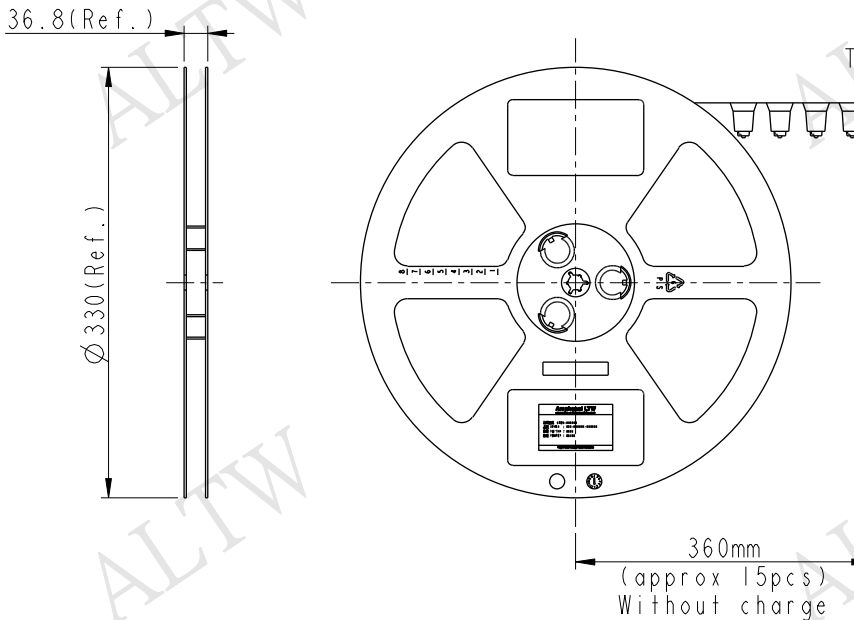


Note:
* (QC) Connector Orientation Follow Drawing



Wide Cover Tape Around
Out Periphery 1 Turn

Peeling Strength 0.1~1.3N Max.
(300±10mm/min)
Peeling Angle 165~180°



UNIT: mm		
TOLERANCE	.X ±0.25	
	.XX ±0.1	
	.XXX ±0.05	
ANGLES	±1°	

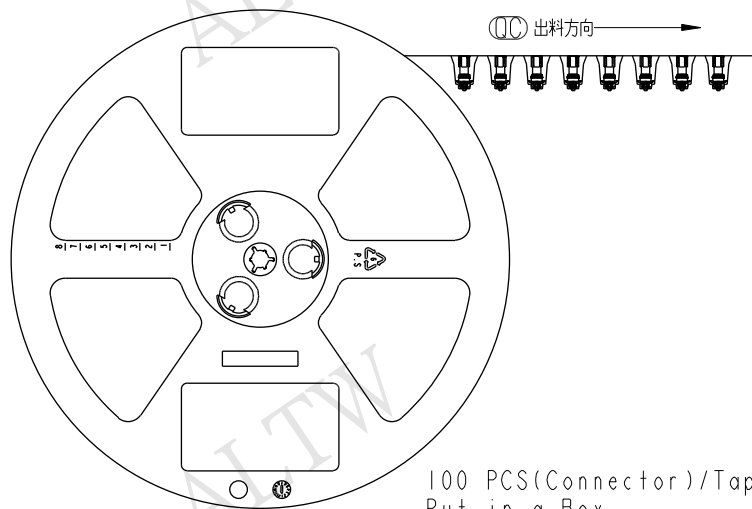
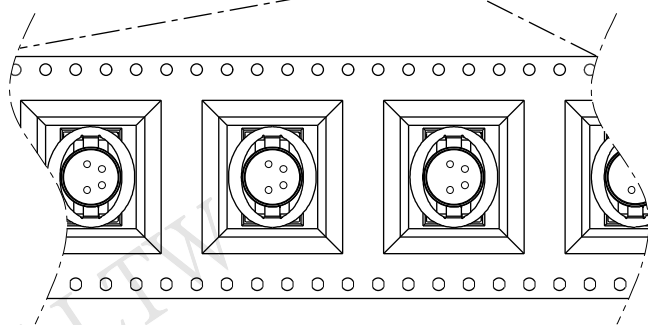
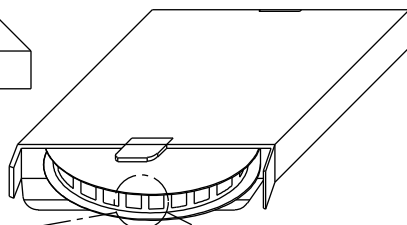
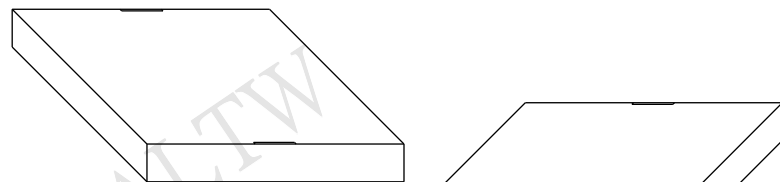
TITLE M8 M CONN M PIN SMT TYPE			
SCALE Free	SIZE A4	SHEET 3 OF 4	
REV. A	WC-REV. A.4	(QC): Inspection item	

Amphenol LTW
安費諾亮泰企業股份有限公司

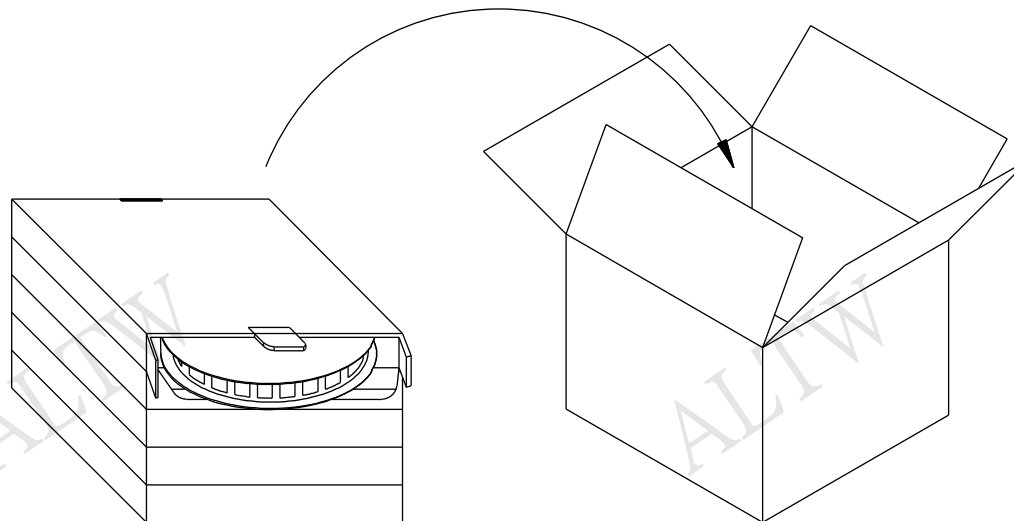
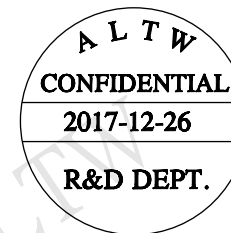
ITEM NO	DRAWN BY Jason Yu	DATE 2017/12/26
DWG NO M8S-XXPMT-EE8XXX	CHECKED BY Arvin Chan	DATE 2017/12/26
CUSTOMER ALTW	APPROVED BY Kevin Hu	DATE 2017/12/26

THIS DOCUMENT IS SUBJECT TO CHANGE WITHOUT NOTICE. IT IS CONFIDENTIAL AND A PROPERTY OF AMPHENOL LTW. DISCLOSURE TO THIRD PARTY HAS TO BE AUTHORIZED BY AMPHENOL LTW.

Package:

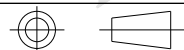


100 PCS (Connector) / Tape & Reel,
Put in a Box



One Carton can put in the 5PCS(Max.) Box
(500 PCS/Carton)

UNIT: mm



TITLE M8 M CONN M PIN SMT TYPE			
SCALE Free	SIZE A4	SHEET 4 OF 4	
REV. A	WC-REV. A.3	QC: Inspection item	

Amphenol LTW
安費諾亮泰企業股份有限公司

ITEM NO	DRAWN BY Jason Yu	DATE 2017/12/26
DWG NO M8S-XXPMMT-EE8XXX	CHECKED BY Arvin Chan	DATE 2017/12/26
CUSTOMER ALTW	APPROVED BY Kevin Hu	DATE 2017/12/26

THIS DOCUMENT IS SUBJECT TO CHANGE WITHOUT NOTICE. IT IS CONFIDENTIAL AND A PROPERTY OF Amphenol LTW. DISCLOSURE TO THIRD PARTY HAS TO BE AUTHORIZED BY Amphenol LTW.