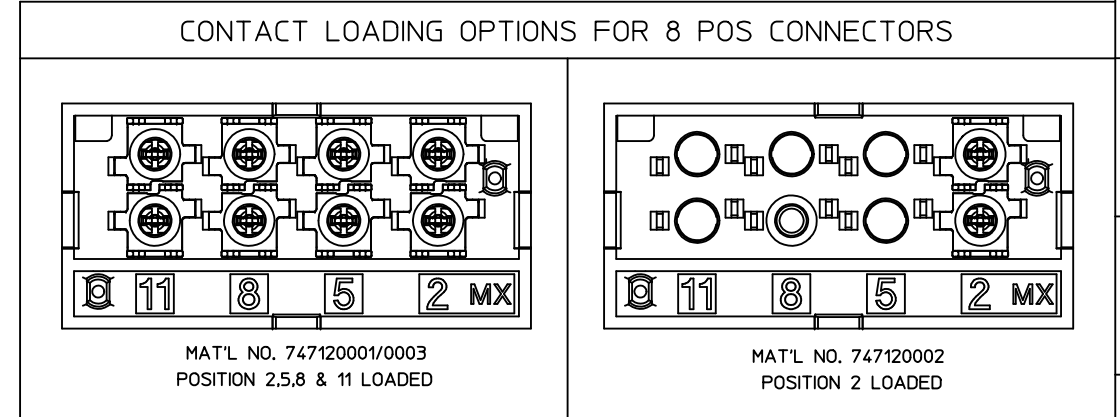
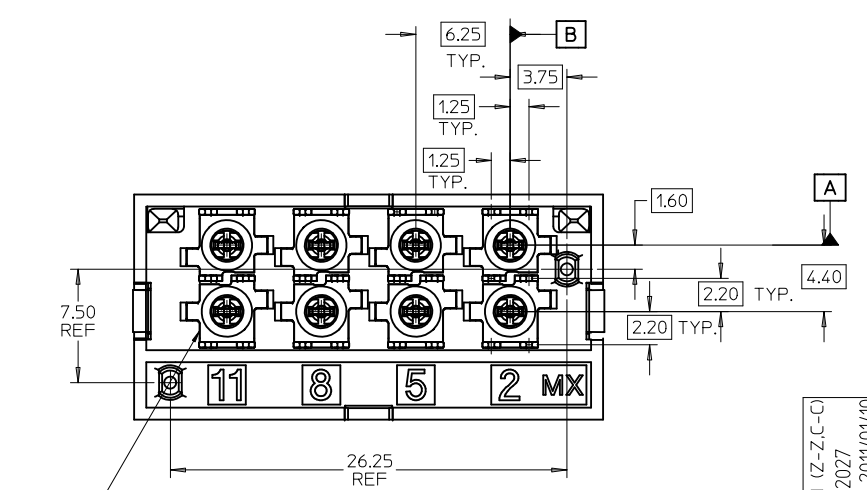


MATERIAL NO.	TERMINAL LOADING BY POSITION	PACKAGING
74712-0001	2, 5, 8, 11	PK-74712-001
74712-0002	2	PK-74712-001
74712-0003	2, 5, 8, 11	PK-74712-002

- NOTES:
- MATERIAL:
    - HOUSING: GLASS FILLED THERMO PLASTIC, 94V-0
    - INSULATOR: GLASS FILLED THERMO PLASTIC, 94V-0
    - PACKAGING HEADER: GLASS FILLED THERMO PLASTIC, 94V-0
    - TERMINALS AND GROUND: TIN BRASS
    - OUTER GROUND CONTACT: PHOSPHOR BRONZE
  - PLATING:
    - TERMINALS:
      - SELECTIVE 0.76 MICRONS MIN. GOLD IN CONTACT AREA
      - SELECTIVE 0.88 MICRONS MIN. TIN BOTH OVER
      - 1.27 MICRONS MIN. NICKEL UNDERPLATE
    - GROUNDS:
      - 0.88 MICRONS MIN. TIN OVERALL OVER
      - 1.27 MICRONS MIN. NICKEL UNDERPLATE
    - OUTER GROUND CONTACT:
      - 0.76 MICRONS MIN. GOLD OVERALL OVER
      - 1.27 MICRONS MIN. NICKEL UNDERPLATE
  - REFER TO PRODUCT SPEC.: PS-74854-001 FOR ELECTRICAL, MECHANICAL AND ENVIRONMENTAL REQUIREMENTS.
  - REFER TO PACKAGING SPEC STATED IN CHARTS FOR DETAILS OF THE PACKAGING REQUIREMENTS.
  - DATE CODE MARKING TO BE LOCATED ANYWHERE ON PLASTIC HOUSING. FIRST TWO DIGITS = WEEK NUMBER. LAST TWO DIGITS = YEAR.
  - THIS PART CONFORMS TO CLASS B REQUIREMENTS OF MOLEX COSMETIC SPECIFICATION PS-45499-002.

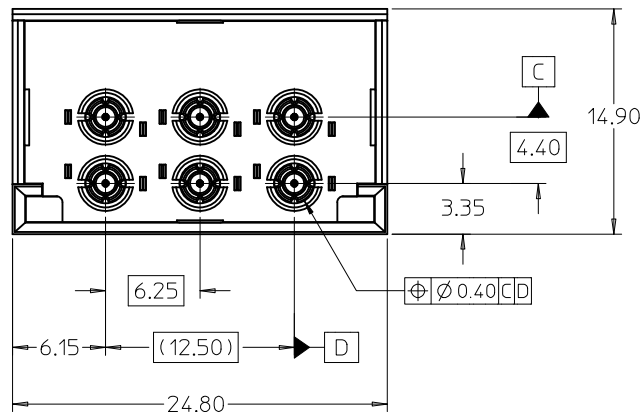


MARKING ON BOTTOM OF SUB-ASSEMBLY INDICATES INSPECTION ACCEPTANCE

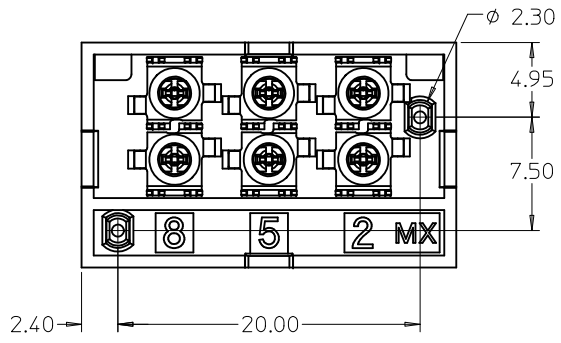
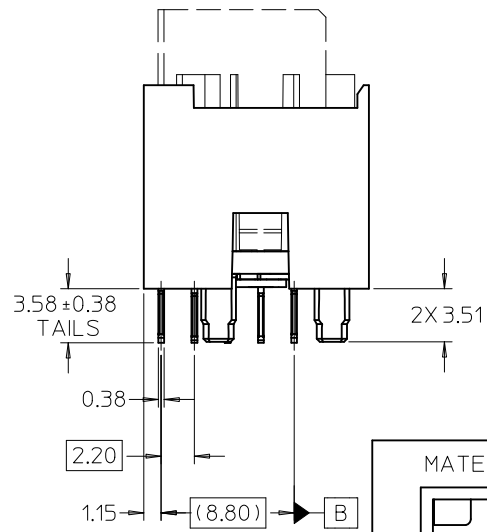
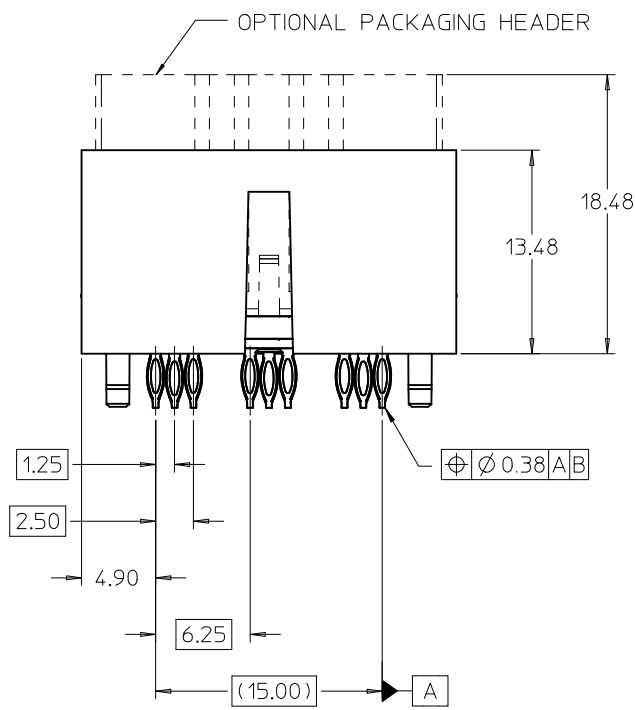
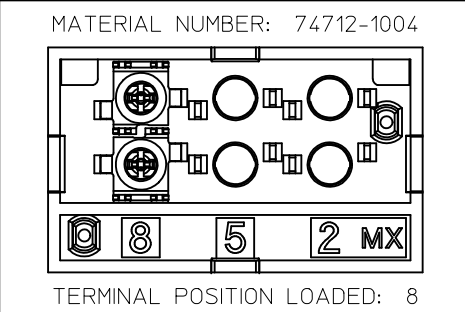
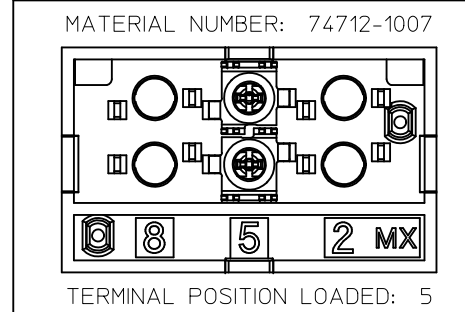
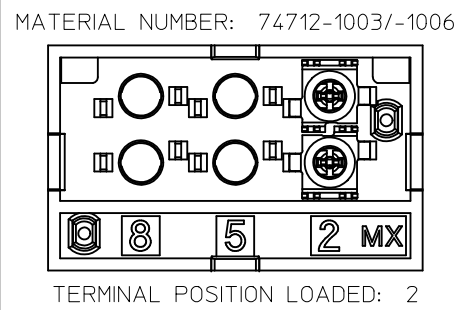
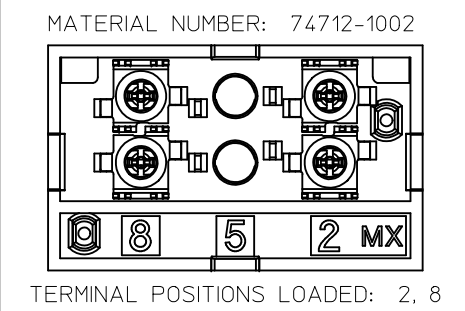
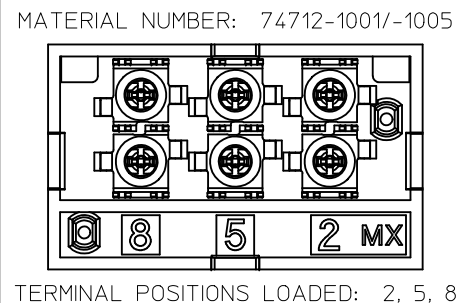
**8 POS. CONNECTOR SHOWN**

DIM CORRECTION (Z-Z-C-C) IEC NO: UCP2011-2027 DRWN: JMENDOZA 2011/01/10 CHKD: JBINGHAM 2011/01/10 APPR: JBINGHAM 2011/01/11	QUALITY SYMBOLS	GENERAL TOLERANCES (UNLESS SPECIFIED)	SCALE 4:1	DESIGN UNITS METRIC	THIRD ANGLE PROJECTION	REVISE ON CAD ONLY															
	▼ -0 ∇ C -0	<table border="1"> <thead> <tr> <th></th> <th>mm</th> <th>INCH</th> </tr> </thead> <tbody> <tr> <td>4 PLACES</td> <td>± ---</td> <td>± ---</td> </tr> <tr> <td>3 PLACES</td> <td>± ---</td> <td>± ---</td> </tr> <tr> <td>2 PLACES</td> <td>± 0.13</td> <td>± ---</td> </tr> <tr> <td>1 PLACE</td> <td>± 0.25</td> <td>± ---</td> </tr> </tbody> </table>		mm	INCH	4 PLACES	± ---	± ---	3 PLACES	± ---	± ---	2 PLACES	± 0.13	± ---	1 PLACE	± 0.25	± ---	DIMENSION STYLE MM ONLY	TITLE	SALES DRAWING FOR VERTICAL GANGED RF CONNECTOR, LONG TAILS	
				mm	INCH																
			4 PLACES	± ---	± ---																
3 PLACES	± ---	± ---																			
2 PLACES	± 0.13	± ---																			
1 PLACE	± 0.25	± ---																			
DRAFT WHERE APPLICABLE MUST REMAIN WITHIN DIMENSIONS	APPROVED BY DATE	CHECKED BY DATE	MOLEX INCORPORATED																		
	JBINGHAM 2009/11/23	JBINGHAM 2006/06/06	MATERIAL NO. DOCUMENT NO. SHEET NO. SEE CHART SD-74712-003 1 OF 5																		

THIS DRAWING CONTAINS INFORMATION THAT IS PROPRIETARY TO MOLEX INCORPORATED AND SHOULD NOT BE USED WITHOUT WRITTEN PERMISSION



6 POSITION CONNECTOR			
MATERIAL NUMBER	POSITION OF LOADED TERMINAL(S)	OPTIONAL PACKAGING HEADER	PACKAGING SPECIFICATION
74712-1001	2, 5, 8	YES	PK-74712-101
74712-1002	2, 8	YES	
74712-1003	2	YES	
74712-1004	8	YES	PK-74712-102
74712-1007	5	YES	
74712-1005	2, 5, 8	YES	
74712-1006	2	YES	

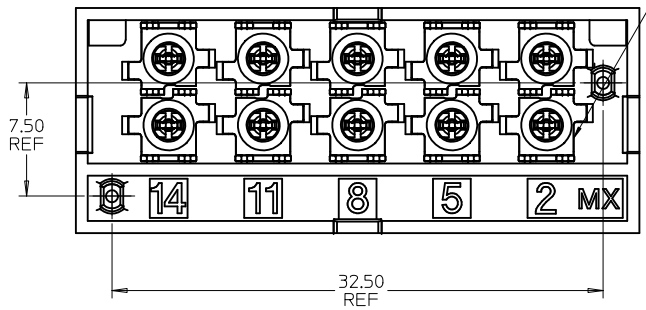
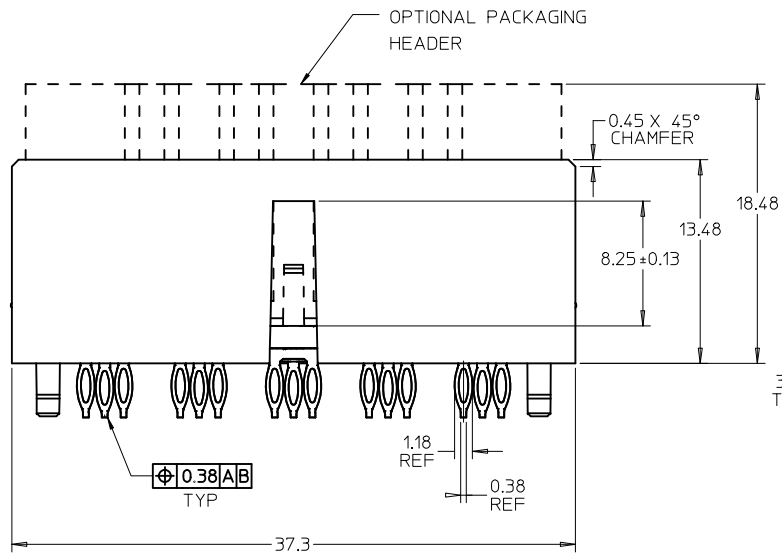
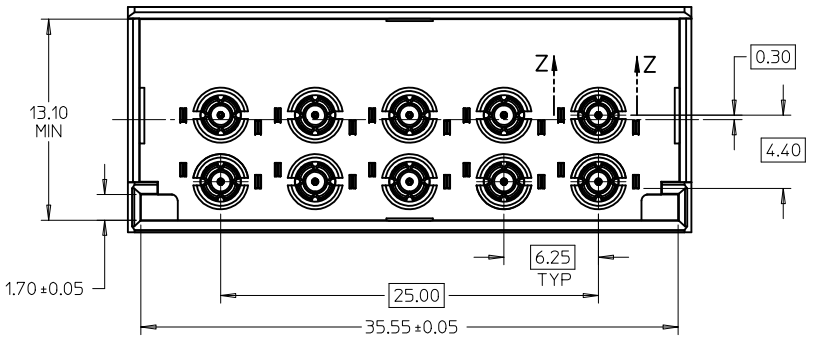


SEE SHEET 1 EC NO: UCP2011-2027 DRWN: MENDOZA 2011/01/10 CHKD: JB INGHAM 2011/01/10 APPR: JB INGHAM 2011/01/11	QUALITY SYMBOLS ▽=0 ▽=0	GENERAL TOLERANCES (UNLESS SPECIFIED)		DIMENSION STYLE <b>MM ONLY</b>		SCALE 4:1	DESIGN UNITS METRIC	THIRD ANGLE PROJECTION			
		4 PLACES ± --- ± ---	3 PLACES ± --- ± ---	2 PLACES ± 0.13 ± ---	1 PLACE ± 0.25 ± ---	DRAWN BY SREED	DATE 2006/06/06	TITLE <b>SALES DRAWING FOR VERTICAL GANGED RF CONNECTOR, LONG TAILS</b>			
		ANGULAR ± 2 °				CHECKED BY JB INGHAM	DATE 2006/06/06	APPROVED BY JB INGHAM			
		DRAFT WHERE APPLICABLE MUST REMAIN WITHIN DIMENSIONS				MATERIAL NO. <b>SEE CHART</b>	DATE 2009/11/23	DOCUMENT NO. <b>SD-74712-003</b>		SHEET NO. 2 OF 5	

THIS DRAWING CONTAINS INFORMATION THAT IS PROPRIETARY TO MOLEX INCORPORATED AND SHOULD NOT BE USED WITHOUT WRITTEN PERMISSION

MATERIAL NO.	TERMINAL LOADING BY POSITION	PACKAGING
74712-3001	2, 5, 8, 11, 14	PK-74712-210
74712-3002	8, 11, 14	PK-74712-210

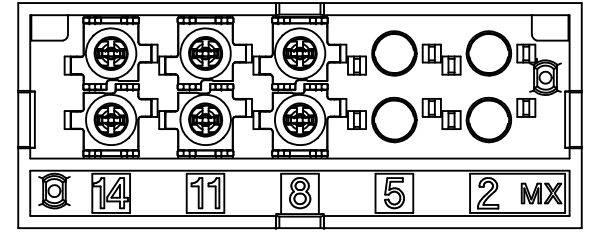
NOTE: REFER TO SHEET 1 FOR ALL DIMENSIONS, SECTION VIEW AND NOTES NOT SHOWN.



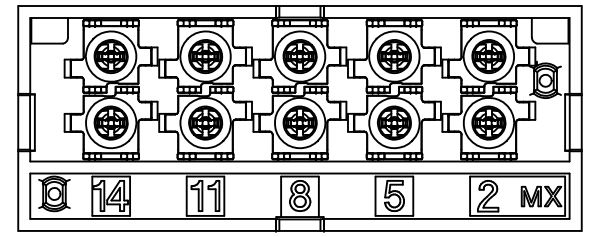
MARKING ON BOTTOM OF SUB-ASSEMBLY INDICATES INSPECTION ACCEPTANCE

10 POSITION CONNECTOR SHOWN

CONTACT LOADING OPTIONS FOR 10 POSITION CONNECTORS

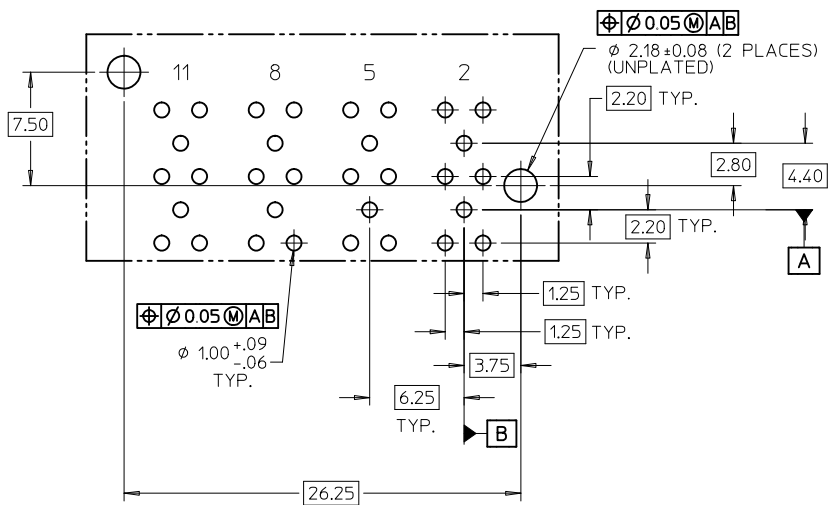


MAT'L NO. 747123002  
POSITIONS 8,11,14 LOADED

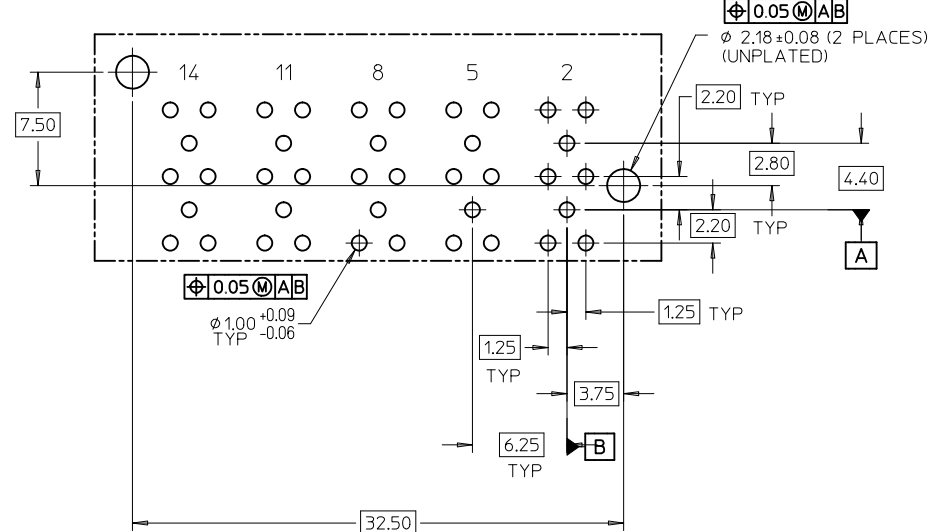


MAT'L NO. 747123001  
POSITIONS 2,5,8,11,14 LOADED

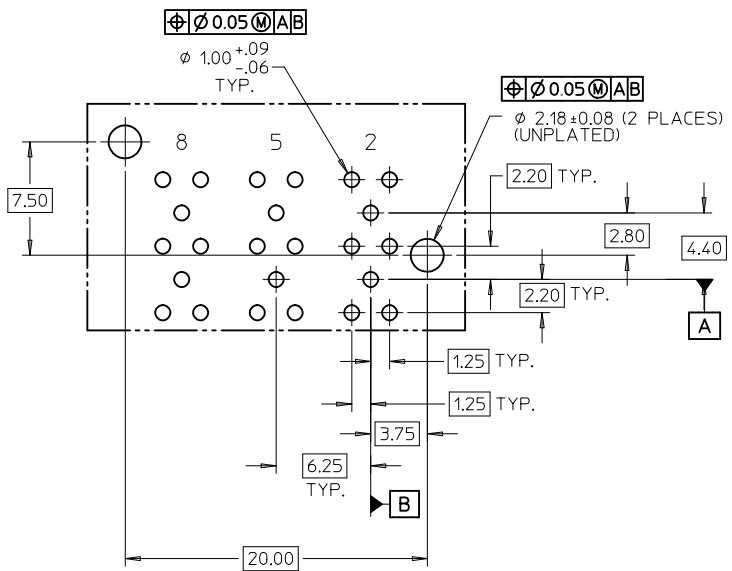
SEE SHEET 1 EC NO: UCP2011-2027 DRWN: JMENDOZA 2011/01/10 CHKD: JBINGHAM 2011/01/10 APPR: JBINGHAM 2011/01/11	DESCRIPTION REV E2	QUALITY SYMBOLS	GENERAL TOLERANCES (UNLESS SPECIFIED)	SCALE 4:1	DESIGN UNITS METRIC	THIRD ANGLE PROJECTION	REVISE ON CAD ONLY															
		▽ 0 ∇ 0	<table border="1"> <tr> <th></th> <th>mm</th> <th>INCH</th> </tr> <tr> <td>4 PLACES</td> <td>± ---</td> <td>± ---</td> </tr> <tr> <td>3 PLACES</td> <td>± ---</td> <td>± ---</td> </tr> <tr> <td>2 PLACES</td> <td>± 0.13</td> <td>± ---</td> </tr> <tr> <td>1 PLACE</td> <td>± 0.25</td> <td>± ---</td> </tr> </table> ANGULAR ± 2 °		mm	INCH	4 PLACES	± ---	± ---	3 PLACES	± ---	± ---	2 PLACES	± 0.13	± ---	1 PLACE	± 0.25	± ---	DIMENSION STYLE MM ONLY	TITLE	SALES DRAWING FOR VERTICAL GANGED RF CONNECTOR, LONG TAILS	
			mm	INCH																		
		4 PLACES	± ---	± ---																		
3 PLACES	± ---	± ---																				
2 PLACES	± 0.13	± ---																				
1 PLACE	± 0.25	± ---																				
DRAFT WHERE APPLICABLE MUST REMAIN WITHIN DIMENSIONS	DRAWN BY DATE SREED 2006/06/06 CHECKED BY DATE JBINGHAM 2006/06/06 APPROVED BY DATE JBINGHAM 2009/11/23	MATERIAL NO. SEE CHART DOCUMENT NO. SD-74712-003 SHEET NO. 3 OF 5	MOLEX INCORPORATED THIS DRAWING CONTAINS INFORMATION THAT IS PROPRIETARY TO MOLEX INCORPORATED AND SHOULD NOT BE USED WITHOUT WRITTEN PERMISSION																			



RECOMMENDED PCB LAYOUT  
FOR THE 8 POSITION CONNECTOR  
COMPONENT SIDE  
MAX. BOARD THICKNESS: 4.50



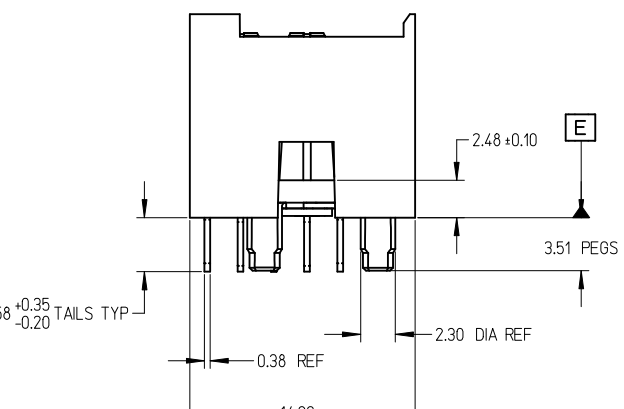
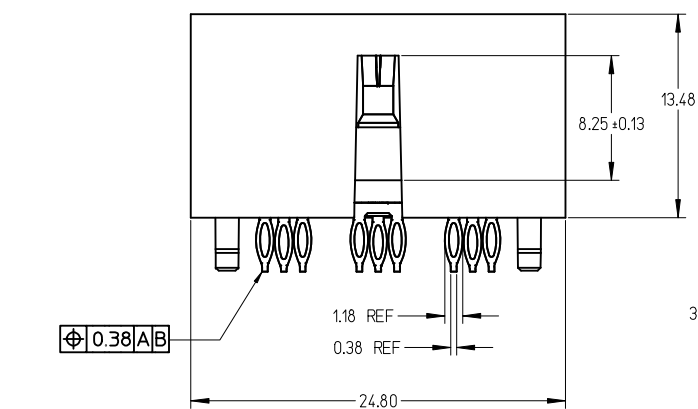
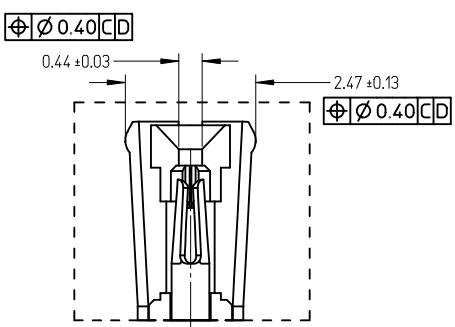
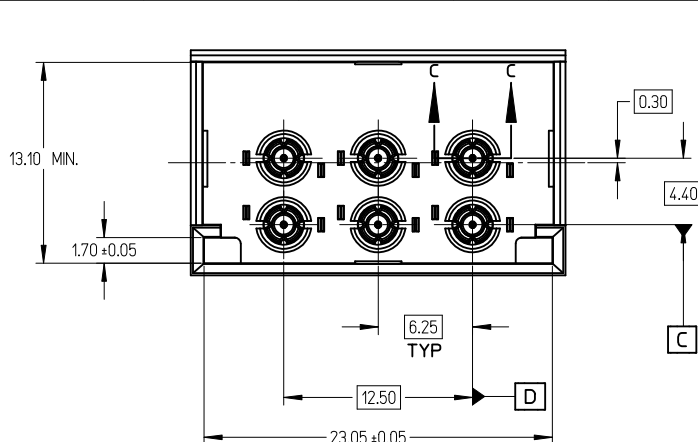
RECOMMENDED PCB LAYOUT  
FOR THE 10 POSITION CONNECTOR  
COMPONENT SIDE  
MAX. BOARD THICKNESS: 4.50



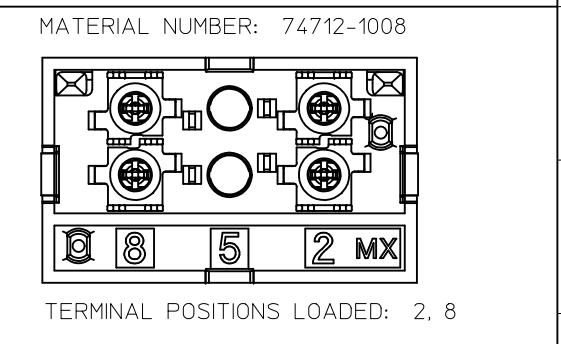
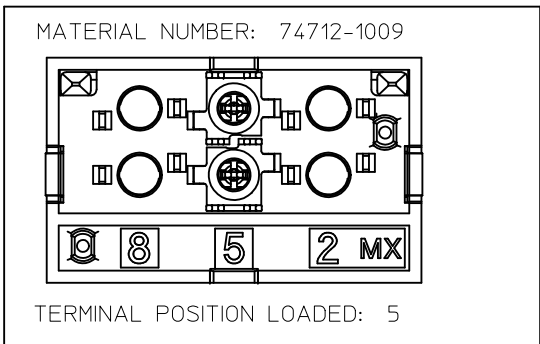
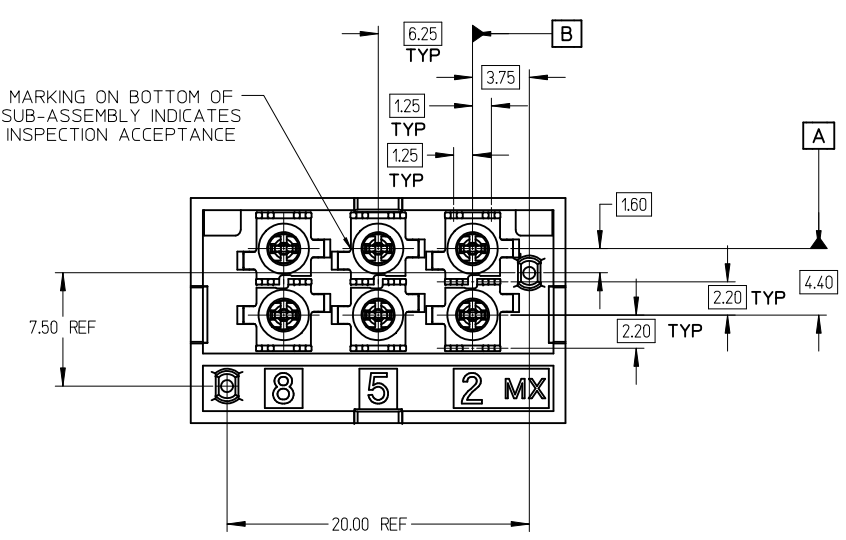
RECOMMENDED PCB LAYOUT  
FOR THE 6 POSITION CONNECTOR  
COMPONENT SIDE  
MAX. BOARD THICKNESS: 4.50

NOTE: DEPENDING ON CONNECTOR PART NUMBER, ALL HOLES MAY NOT BE REQUIRED. REFER TO SHEETS 1-3 FOR LOADED TERMINAL POSITIONS. REFER TO TERMINAL POSITIONS SPECIFIED ON EACH PCB LAYOUT TO DETERMINE WHICH HOLES ARE NEEDED.

SEE SHEET 1 EC NO: UCP2011-2027 DRWN: JMENDOZA 2011/01/10 CHKD: JBINGHAM 2011/01/10 APPR: JBINGHAM 2011/01/11	QUALITY SYMBOLS	GENERAL TOLERANCES (UNLESS SPECIFIED)		SCALE 4:1	DESIGN UNITS METRIC	THIRD ANGLE PROJECTION	REVISE ON CAD ONLY
	▽ 0 ∇ 0		mm	INCH	DIMENSION STYLE		TITLE SALES DRAWING FOR VERTICAL GANGED RF CONNECTOR, LONG TAILS MOLEX INCORPORATED SEE CHARTS SD-74712-003
		4 PLACES	± ---	± ---	MM ONLY		
		3 PLACES	± ---	± ---	DRAWN BY SREED	DATE 2006/06/06	
	2 PLACES	± 0.13	± ---	CHECKED BY JBINGHAM	DATE 2006/06/06	MATERIAL NO.	DOCUMENT NO.
	1 PLACE	± 0.25	± ---	APPROVED BY JBINGHAM		DATE 2009/11/23	SHEET NO. 4 OF 5
	ANGULAR ± 2 °		DRAFT WHERE APPLICABLE		THIS DRAWING CONTAINS INFORMATION THAT IS PROPRIETARY TO MOLEX INCORPORATED AND SHOULD NOT BE USED WITHOUT WRITTEN PERMISSION		
	MUST REMAIN WITHIN DIMENSIONS						



6 POS. CONNECTOR SHOWN



6 POSITION CONNECTOR			
MATERIAL NUMBER	POSITION OF LOADED TERMINAL(S)	OPTIONAL PACKAGING HEADER	PACKAGING SPECIFICATION
74712-1008	2, 8	NO	PK-74712-101
74712-1009	5	NO	

- NOTES:
- MATERIAL:
    - HOUSING: GLASS FILLED THERMO PLASTIC, 94V-0
    - INSULATOR: GLASS FILLED THERMO PLASTIC, 94V-0
    - TERMINALS AND GROUND: TIN BRASS
    - OUTER GROUND CONTACT: PHOSPHOR BRONZE
  - PLATING:
    - TERMINALS:
      - SELECTIVE 0.76 MICRONS MIN. GOLD IN CONTACT AREA
      - SELECTIVE 0.88 MICRONS MIN. TIN BOTH OVER
      - 1.27 MICRONS MIN. NICKEL UNDERPLATE
    - GROUNDS:
      - 0.88 MICRONS MIN. TIN OVERALL OVER
      - 1.27 MICRONS MIN. NICKEL UNDERPLATE
    - OUTER GROUND CONTACT:
      - 0.76 MICRONS MIN. GOLD OVERALL OVER
      - 1.27 MICRONS MIN. NICKEL UNDERPLATE
  - REFER TO PRODUCT SPEC.: PS-74854-001 FOR ELECTRICAL, MECHANICAL AND ENVIRONMENTAL REQUIREMENTS.
  - REFER TO PACKAGING SPEC STATED IN CHARTS FOR DETAILS OF THE PACKAGING REQUIREMENTS.
  - DATE CODE MARKING TO BE LOCATED ANYWHERE ON PLASTIC HOUSING. FIRST TWO DIGITS = WEEK NUMBER. LAST TWO DIGITS = YEAR.
  - THIS PART CONFORMS TO CLASS B REQUIREMENTS OF MOLEX COSMETIC SPECIFICATION PS-45499-002.

SEE SHEET 1 EC NO: UCP2011-2027 DRAWN: J.MENDOZA 2011/01/10 CHKD: J.BINGHAM 2011/01/10 APPR: J.BINGHAM 2011/01/11	QUALITY SYMBOLS	GENERAL TOLERANCES (UNLESS SPECIFIED)	DIMENSION STYLE	SCALE	DESIGN UNITS	THIRD ANGLE PROJECTION	
	▽=0	mm INCH	MM ONLY	4:1	METRIC		
	▽=0	4 PLACES ± --- ± --- 3 PLACES ± --- ± --- 2 PLACES ± 0.13 ± --- 1 PLACE ± 0.25 ± ---	DRAWN BY DATE SREED 2006/06/06	TITLE	SALES DRAWING FOR VERTICAL GANGED RF CONNECTOR, LONG TAILS		
		ANGULAR ± 2 °	CHECKED BY DATE J.BINGHAM 2006/06/06	APPROVED BY DATE J.BINGHAM 2009/11/23	MOLEX MOLEX INCORPORATED		
	DRAFT WHERE APPLICABLE MUST REMAIN WITHIN DIMENSIONS	MATERIAL NO.	SEE CHARTS	DOCUMENT NO.	SD-74712-003		
			SIZE C	THIS DRAWING CONTAINS INFORMATION THAT IS PROPRIETARY TO MOLEX INCORPORATED AND SHOULD NOT BE USED WITHOUT WRITTEN PERMISSION			