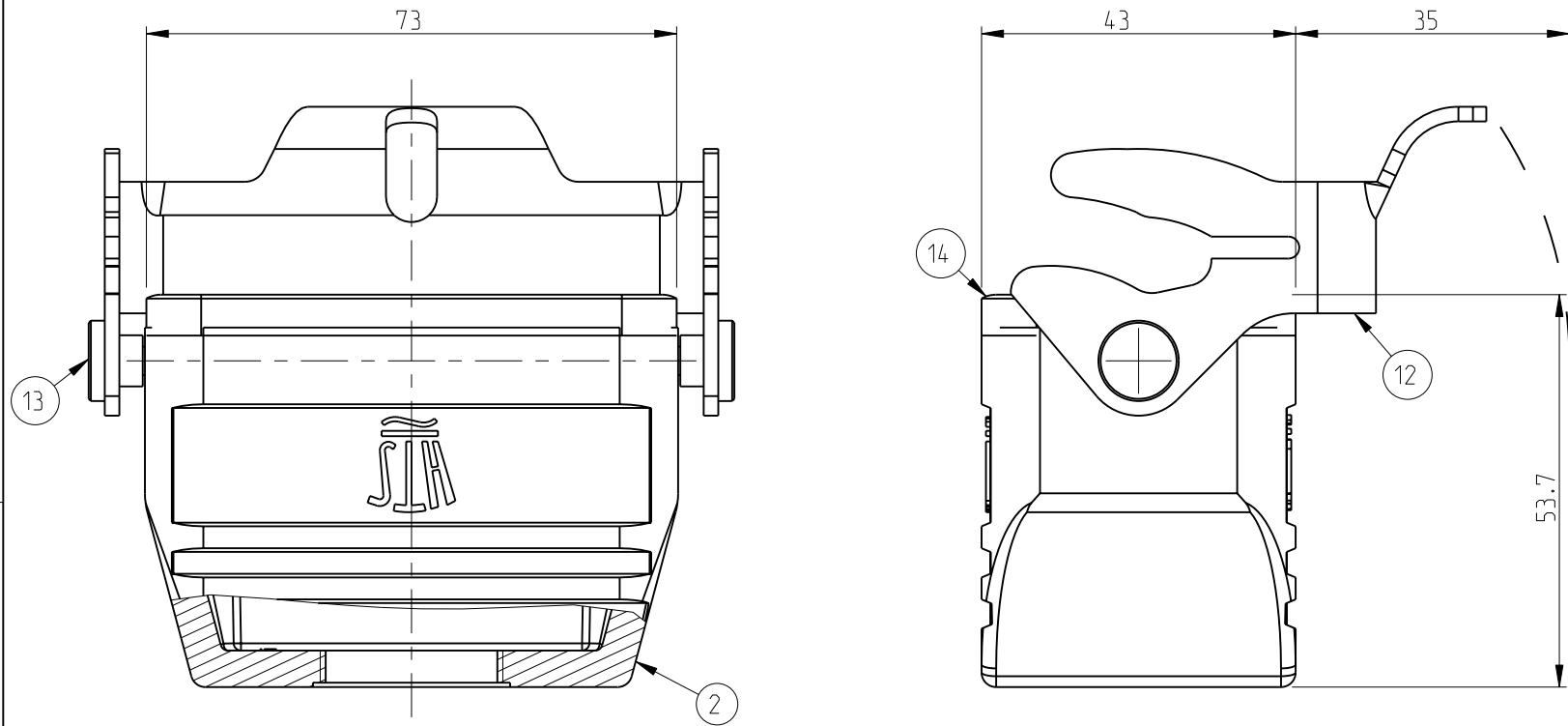


THIS DRAWING IS UNPUBLISHED. RELEASED FOR PUBLICATION .1997
 © COPYRIGHT 1997 BY TYCO ELECTRONICS CORPORATION. ALL RIGHTS RESERVED.

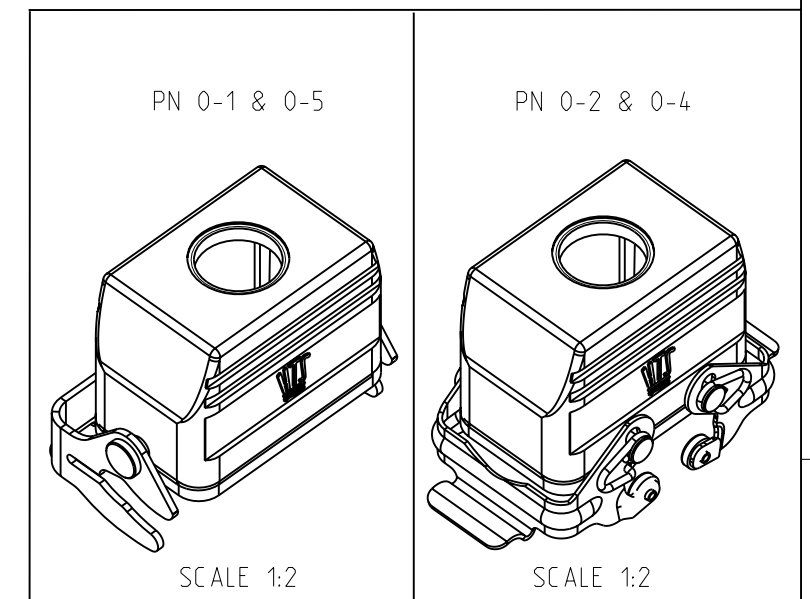
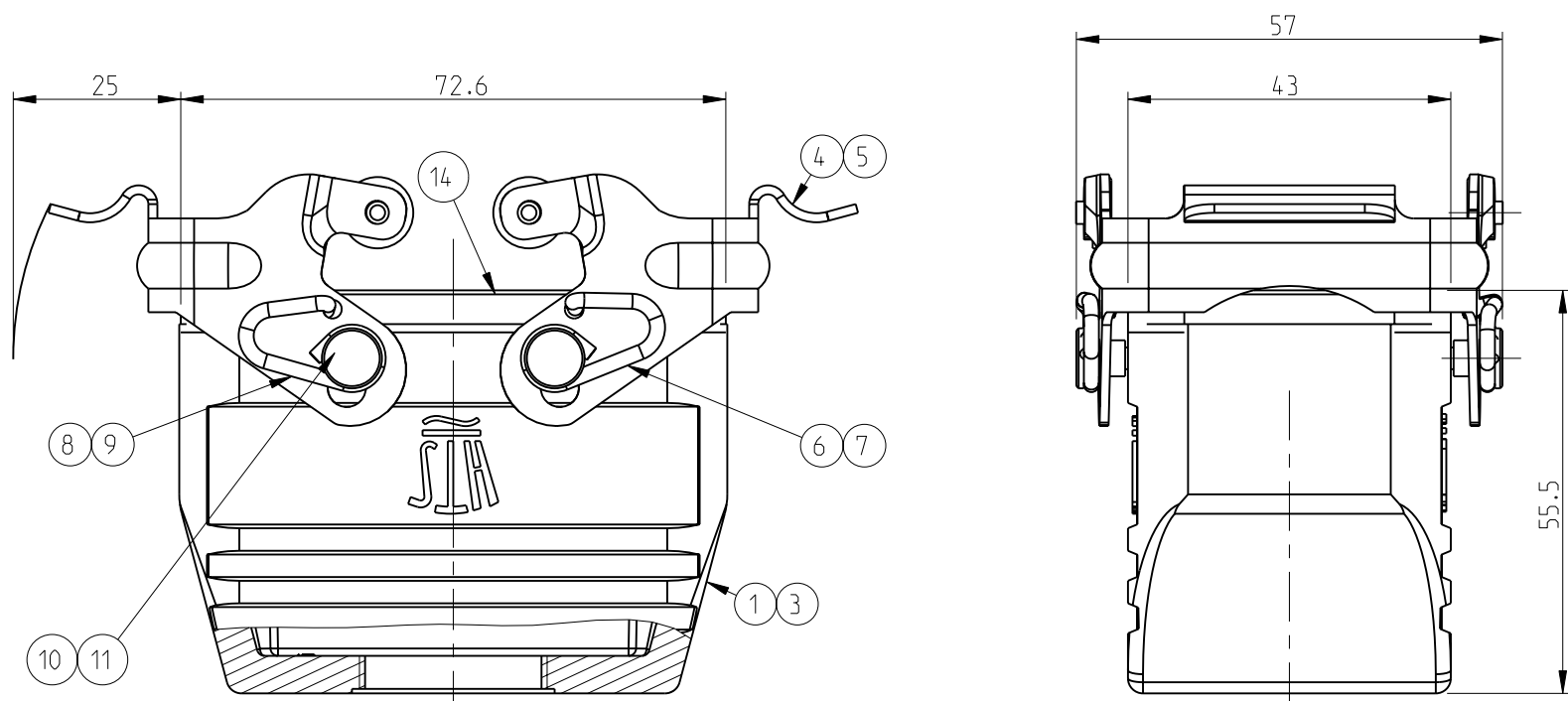
LOC		DIST		REVISIONS				
P	LTR	DESCRIPTION	DATE	DWN	APVD			
A	1	-						
	A3	RELEASED AS ECR-08-028266	07.NOV.2008	GG	TS			

PN 0-1

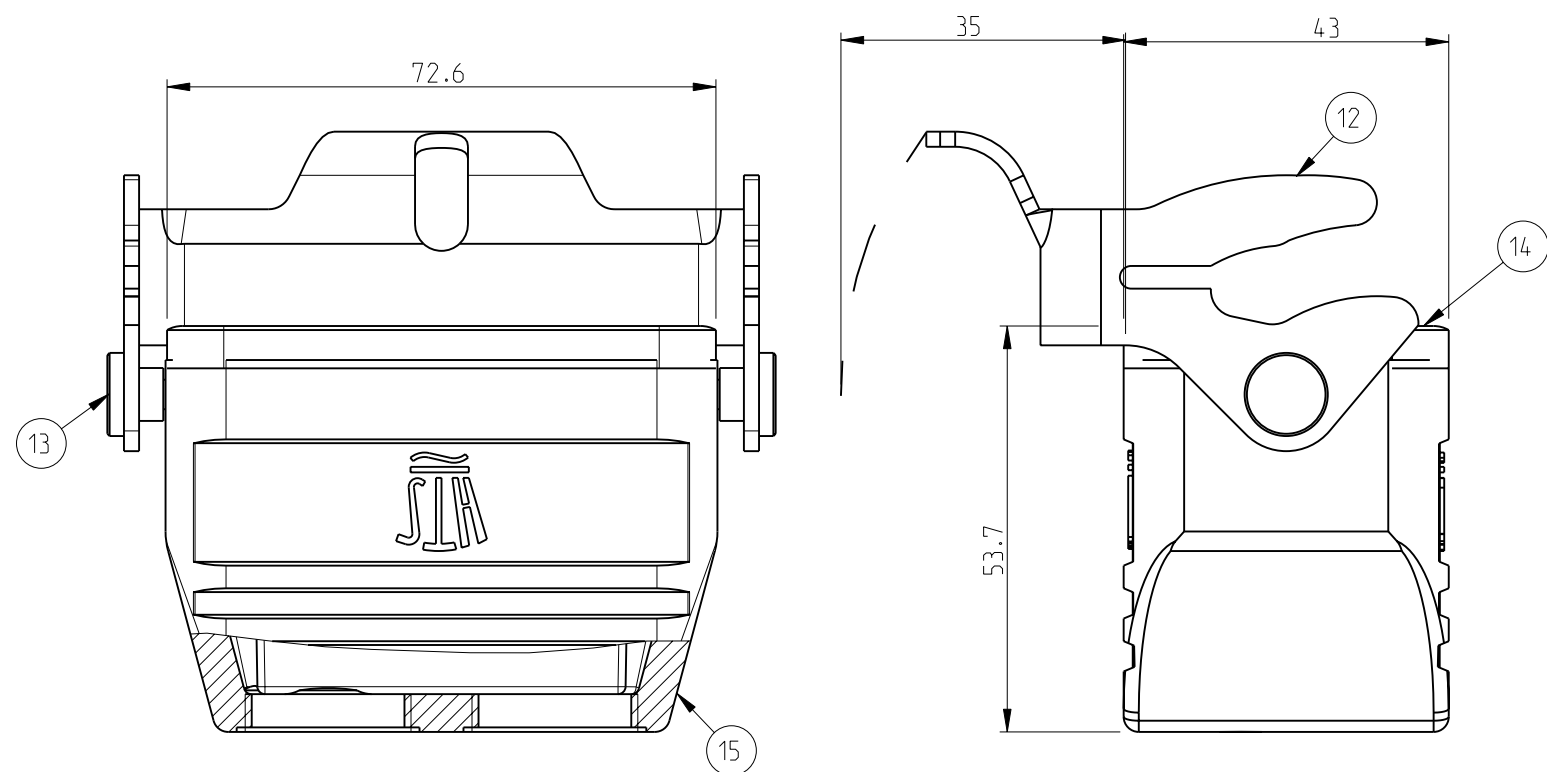


- NOTES
- 1 MATERIAL:HOUSING:ALUMINIUM DIECASTING ALLOY
 - 2 SEALS:NEOPRENE
 - 3 SURFACE:VARNISH GREY ALUMINIUM OXIDE+ZINC PLATED
 - 4 VARNISH ON THE INSIDE NOT NECESSARY
 - 5 PACKAGING QUANTITY 5 PIECES

PN 0-2 & 0-4



PN 0-5



QTY	DESCRIPTION	MATERIAL	SURFACE	COLOR	ITEM NO	NOTES			
1	CABLE-TO-CABLE HOOD	ALUMINIUM		GREY RAL7001	15				
1	PROFILE SEAL	NEOPRENE		BLACK	14				
2	CLIP POSITIONER	STEEL	ZINC PLATED	BLUE	13				
1	SIDE CLIP	STEEL	ZINC PLATED	BLUE	12				
-	CLIP POSITIONER	STAINLESS STEEL	BLANK		11				
-	CLIP POSITIONER	STEEL	ZINC PLATED	BLUE	10				
-	CLIP SPRING LEFT	STAINLESS STEEL	BLANK		9				
-	CLIP SPRING LEFT	STEEL	ZINC PLATED	BLUE	8				
-	CLIP SPRING RIGHT	STAINLESS STEEL	BLANK		7				
-	CLIP SPRING RIGHT	STEEL	ZINC PLATED	BLUE	6				
-	LOCKING CLIP	STAINLESS STEEL	BLANK		5				
-	LOCKING CLIP	STEEL	ZINC PLATED	BLUE	4				
-	CABLE-TO-CABLE HOOD	ALUMINIUM	ALUMINIUM OXIDE	BLACK RAL9005	3				
-	CABLE-TO-CABLE HOOD	ALUMINIUM		GREY RAL7001	2				
-	CABLE-TO-CABLE HOOD	ALUMINIUM		GREY RAL7001	1				
0-5	0-4	0-1	0-2	DESCRIPTION	MATERIAL	SURFACE	COLOR	ITEM NO	NOTES

ORDERING TEXT

- HB.10.KDO-VS.1.M25.G
- HB.10.KDO-LB.1.M25.G
- HB.10.KDO-VS.1.M25.G
- HB.10.KDO-LB.2.M25.G

<small>THIS DRAWING IS A CONTROLLED DOCUMENT FOR TYCO ELECTRONICS CORPORATION IT IS SUBJECT TO CHANGE AND THE CONTROLLING ENGINEERING ORGANIZATION SHOULD BE CONTACTED FOR THE LATEST REVISION.</small>		DWN SCHNEIDER 16.07.2002 CHK SCHWEIGER 16.07.2002 APVD - PRODUCT SPEC - APPLICATION SPEC - WEIGHT -	Tyco Electronics AMP GmbH D-53757 Sankt Augustain, Germany CABLE-TO-CABLE HOOD HB.10.KDO.1.M25.G
DIMENSIONS: mm 	TOLERANCES UNLESS OTHERWISE SPECIFIED: ISO 2768-M-E P-DIN 9130-120 0 PLC ± 1 PLC ± 2 PLC ± 3 PLC ± 4 PLC ± ANGLES ±	NAME SIZE CAGE CODE DRAWING NO A2 00779 C-1106428	RESTRICTED TO SCALE 1:1 SHEET 1 OF 1 REV A3
MATERIAL FINISH		CUSTOMER DRAWING	