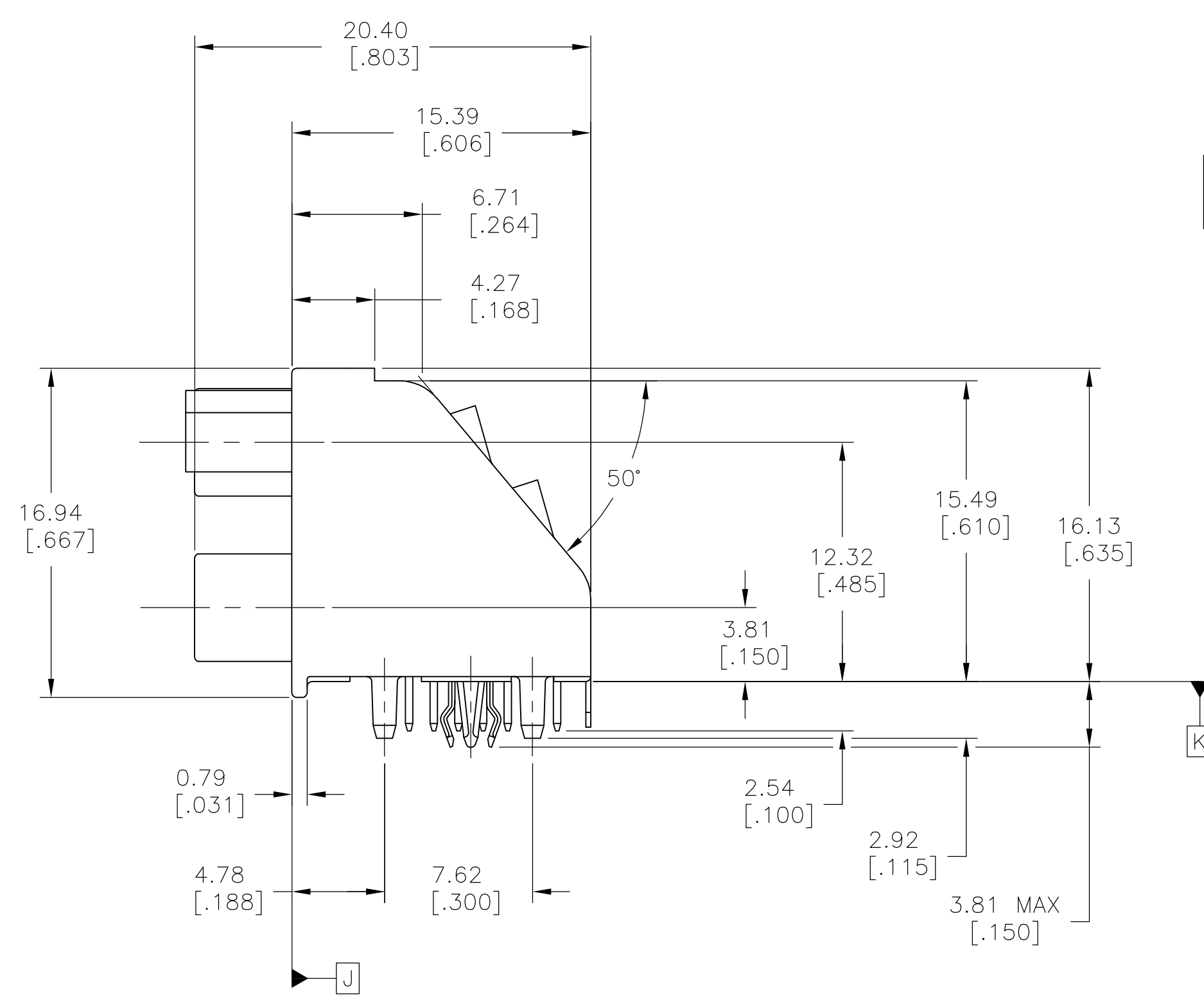
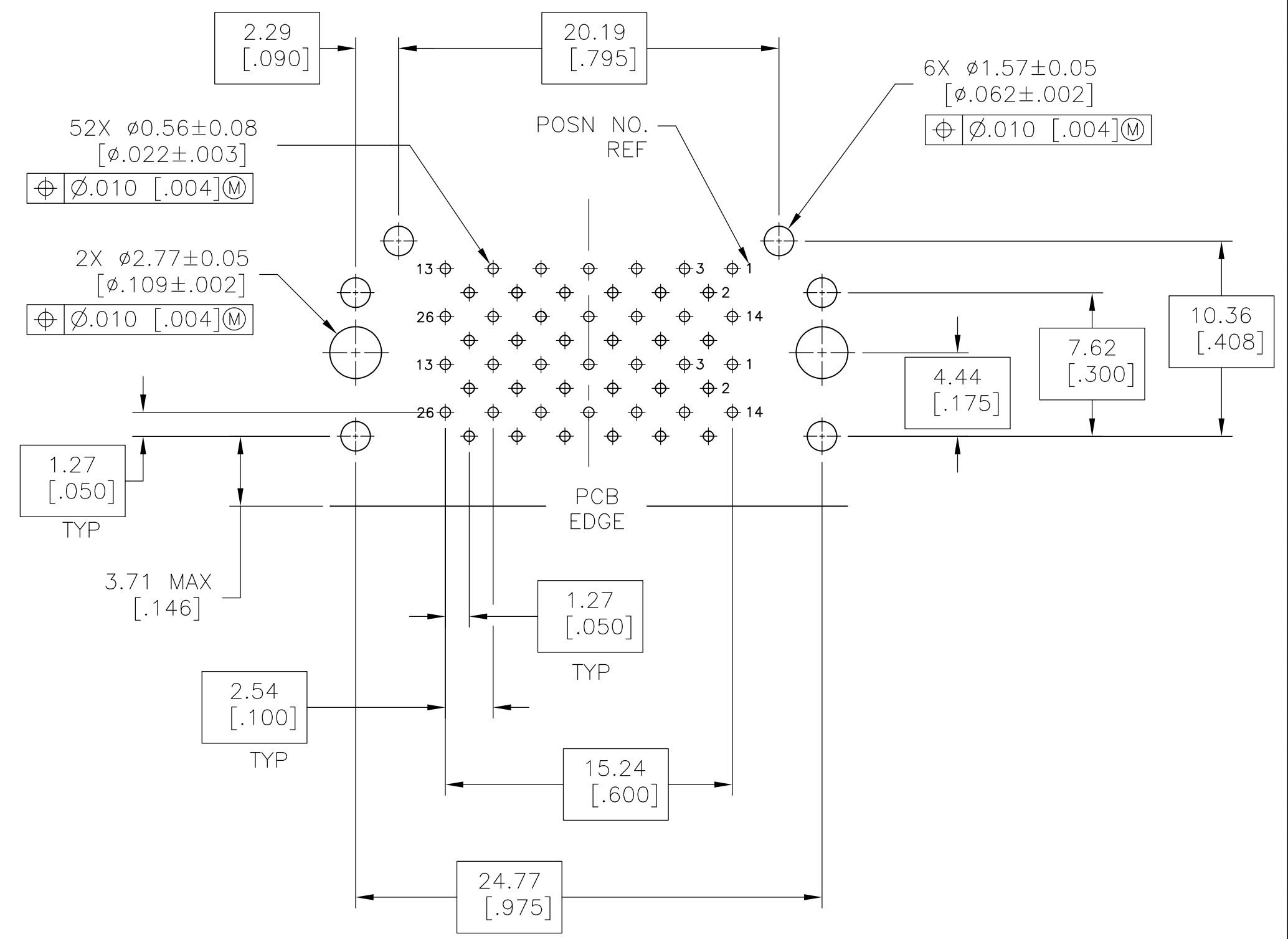


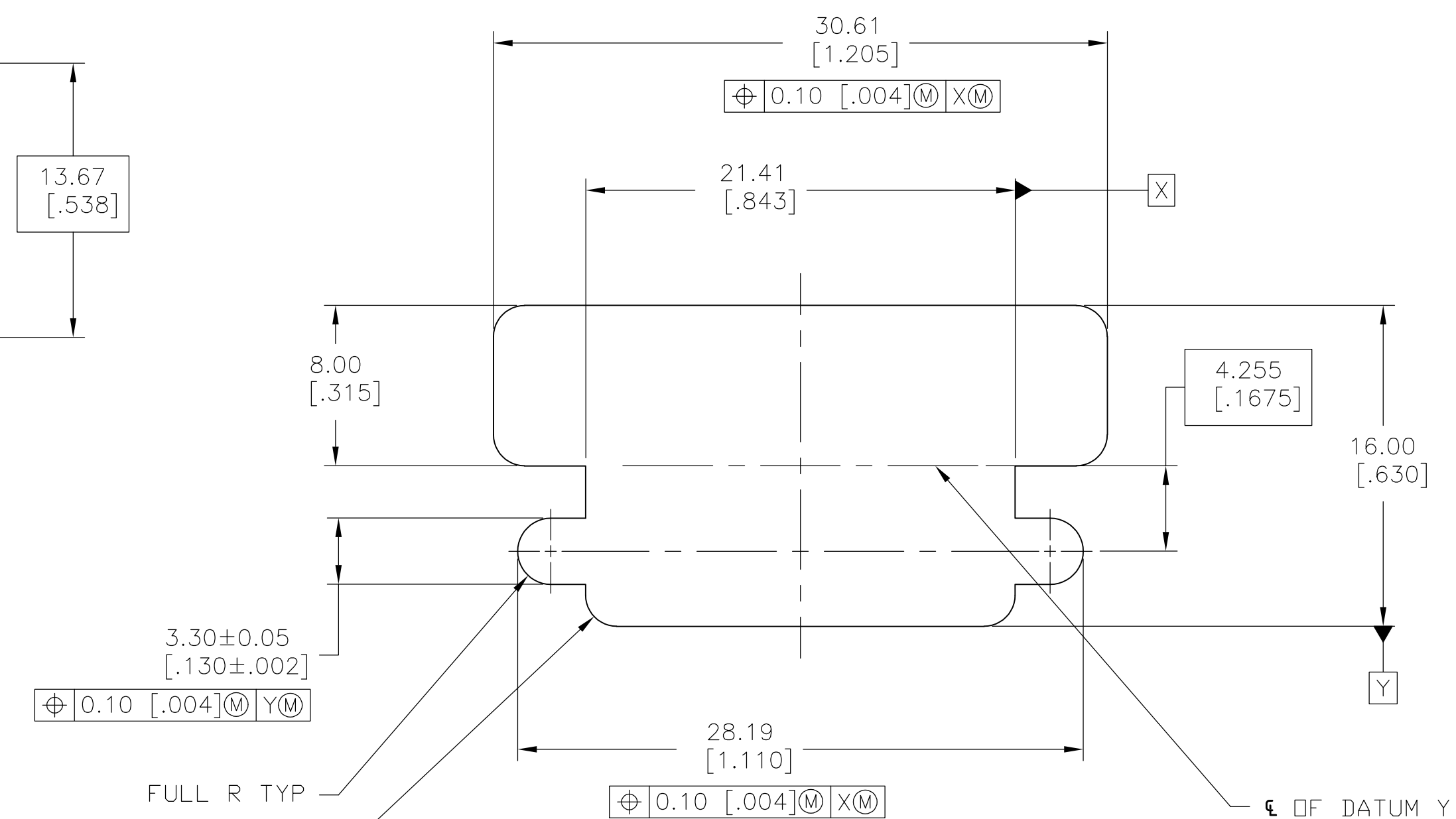
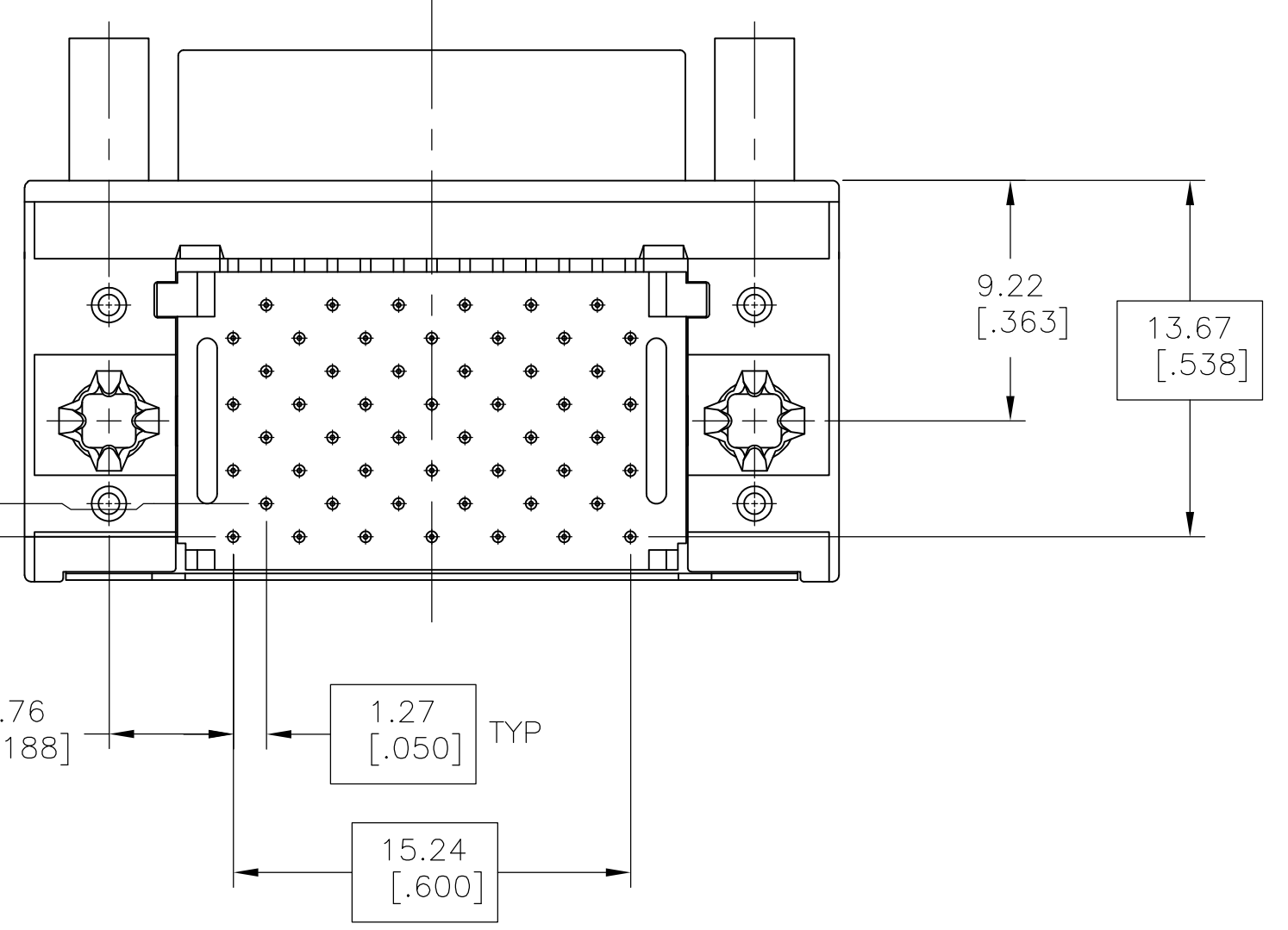
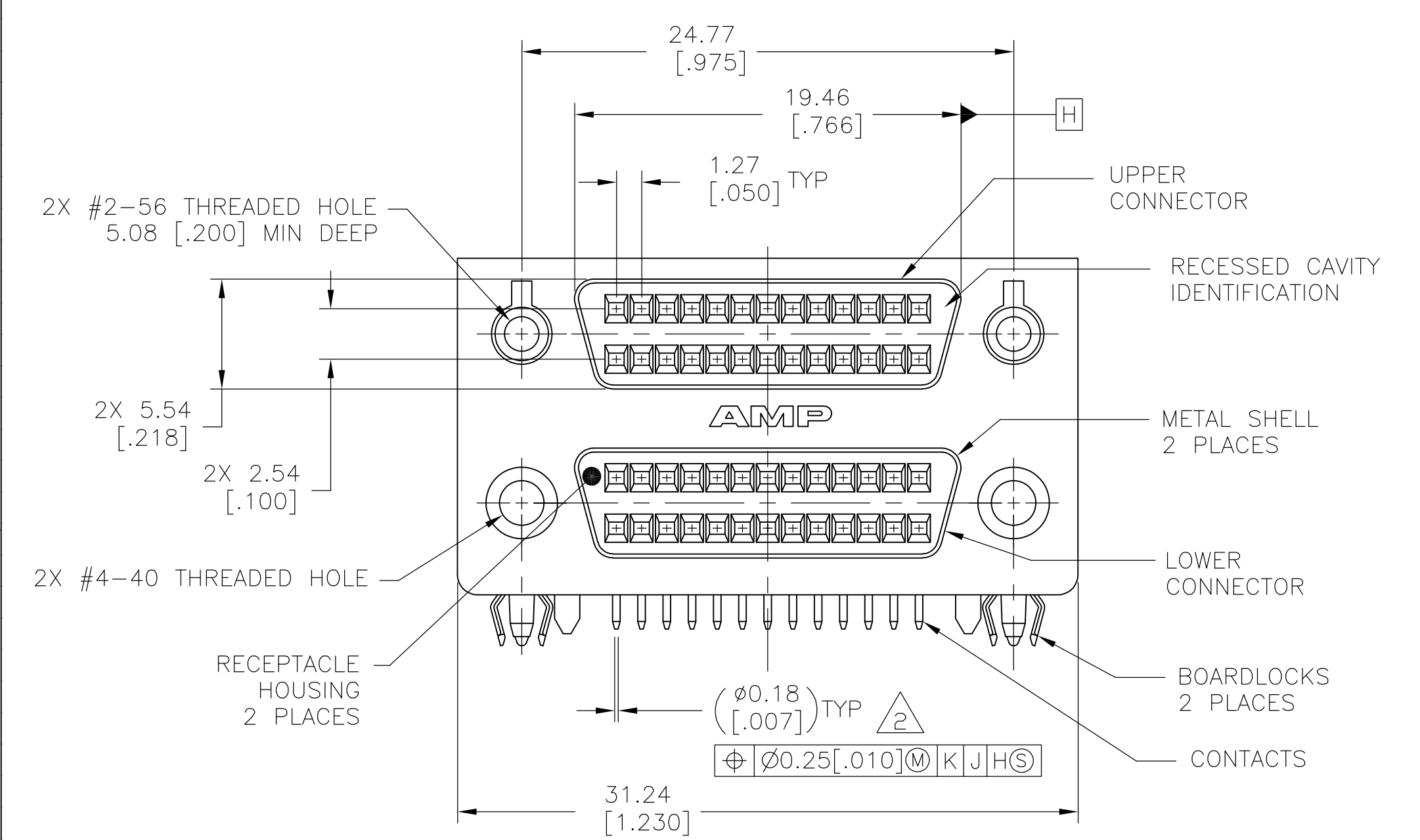
KEYING POSITION CHART  
NOT TO SCALE



P.C. BOARD MOUNTING DIMENSIONS  
CONNECTOR SIDE



- CONTACT FINISH: GOLD FLASH OVER PALLADIUM-NICKEL PLATE, 0.00076 [.000030] MIN TOTAL ON MATING SURFACES, 0.0038 [.000150] MIN TIN-LEAD PLATE ON SOLDER-TAILS, 0.00127 [.000050] MIN NICKEL UNDERPLATE ON ENTIRE CONTACT. -OR- 0.00076 [.000030] MIN GOLD PLATE ON MATING SURFACES, 0.0038 [.000150] MIN TIN-LEAD PLATE ON SOLDER-TAILS, 0.00127 [.000050] MIN NICKEL UNDERPLATE ON ENTIRE CONTACT.
- POSITION TOLERANCE APPLIES AT TIP ONLY.
- MATERIAL: CONTACTS - PHOSPHOR BRONZE, RECEPTACLE HOUSING - UL 94V-0 RATED LCP, COLOR BLACK, BRACKET - ZINC, METAL SHELL - CARBON STEEL, BOARDLOCKS - COPPER ALLOY, SHIELD - PHOSPHOR BRONZE.
- METAL SHELL FINISH: 0.00508-0.01016 [.000200-.000400] TIN OVER 0.00127-0.00254 [.000050-.000100] COPPER.
- BRACKET FINISH: 0.00508-0.01016 [.000200-.000400] TIN-LEAD OVER 0.00508-0.00762 [.000200-.000300] COPPER.
- BOARD LOCK FINISH: 0.00508-0.01016 [.000200-.000400] TIN-LEAD OVER 0.00127-0.00254 [.000050-.000100] NICKEL.
- SHIELD FINISH: 0.00254-0.00635 [.000100-.000250] TIN.



RECOMMENDED PANEL CUT-OUT

1	UNKEYED	750821-1
UPPER CONNECTOR	LOWER CONNECTOR	PART NUMBER
KEYING POSITION		

THIS DRAWING IS A CONTROLLED DOCUMENT.		DIN C. VALENTINE 06JUL2010	Tyco Electronics Corporation Harrisburg, PA 17105-3608
DIMENSIONS: mm [INCHES]		CHK S. BOLASH 06JUL2010	
TOLERANCES UNLESS OTHERWISE SPECIFIED:		APPV S. BOLASH 06JUL2010	NAME RECEPTACLE ASSEMBLY, SHIELDED, 52 POSN, KEY 1 & UNKEYED, STACKED RIGHT ANGLE, AMPLIMITE .050 Series SLIMLINE
0 PLC ± -		PRODUCT SPEC 108-1366	
1 PLC ± 0.13 [.005]		APPLICATION SPEC 114-40036	SIZE CAGE CODE DRAWING NO
2 PLC ± 0.13 [.005]		WEIGHT	A1 00779 C=750821
3 PLC ± -		CUSTOMER DRAWING	SCALE 4:1 SHEET 1 OF 1 REV F
4 PLC ± -			
ANGLES ± ± °			
FINISH SEE NOTES			