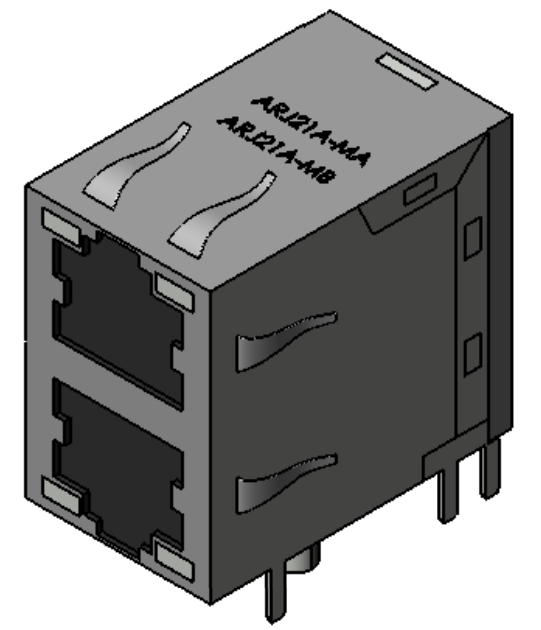
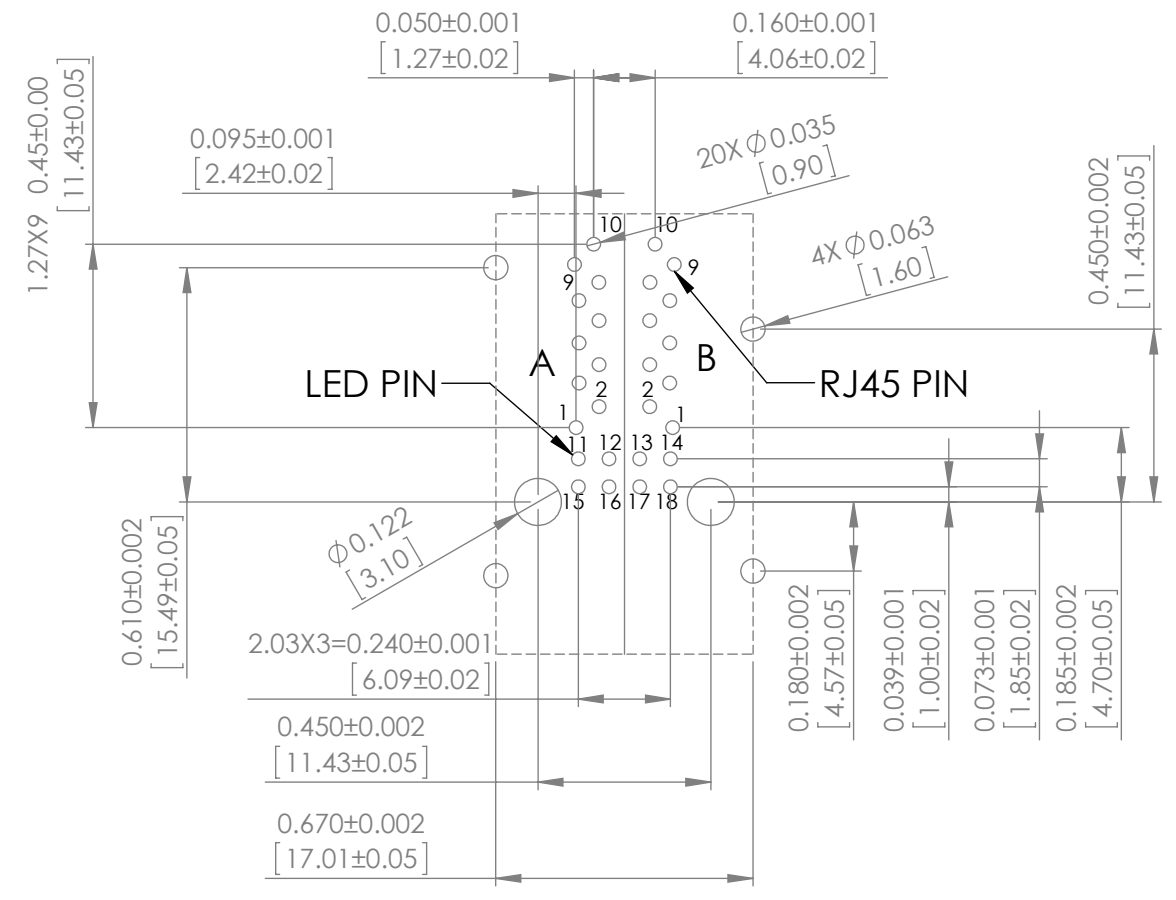
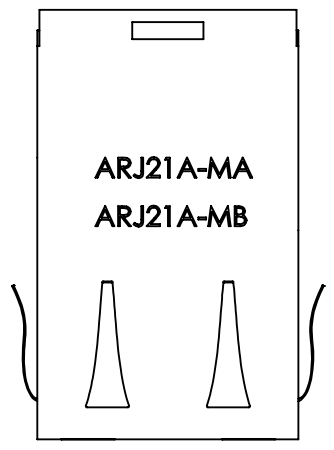
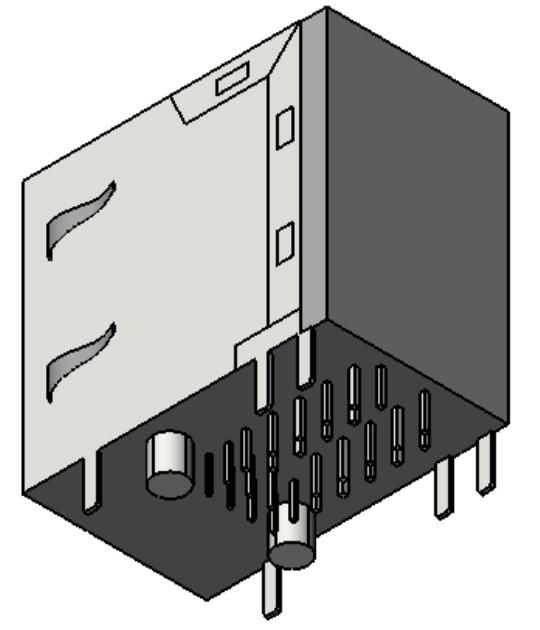
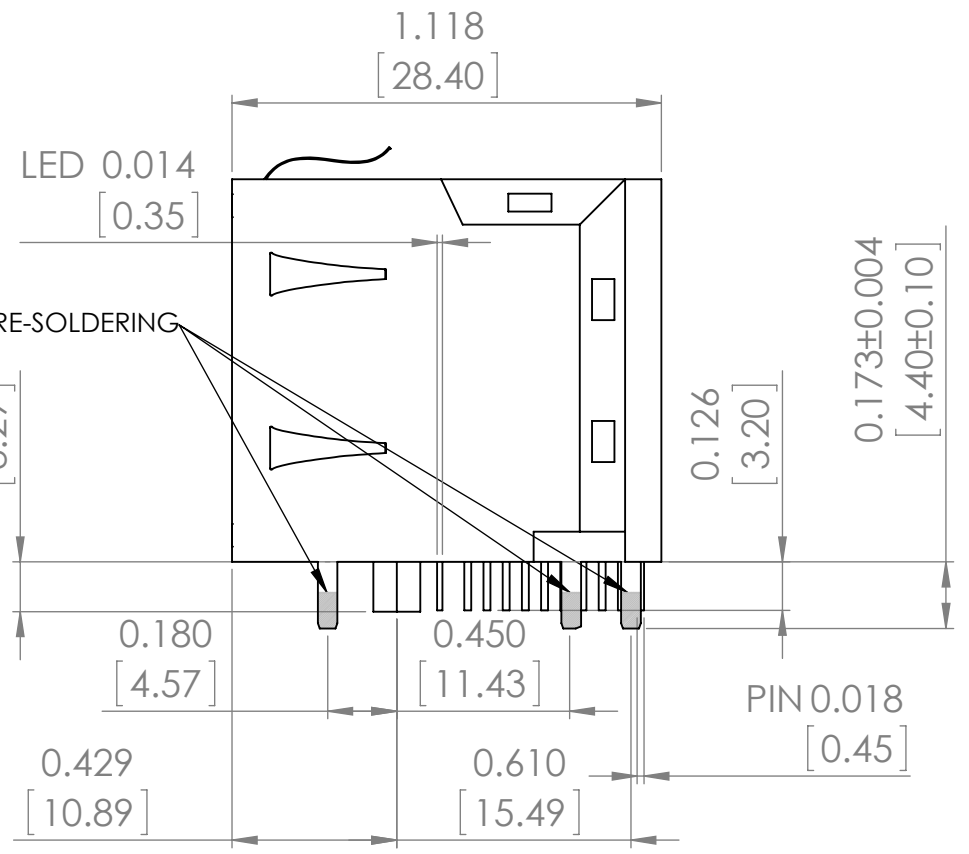
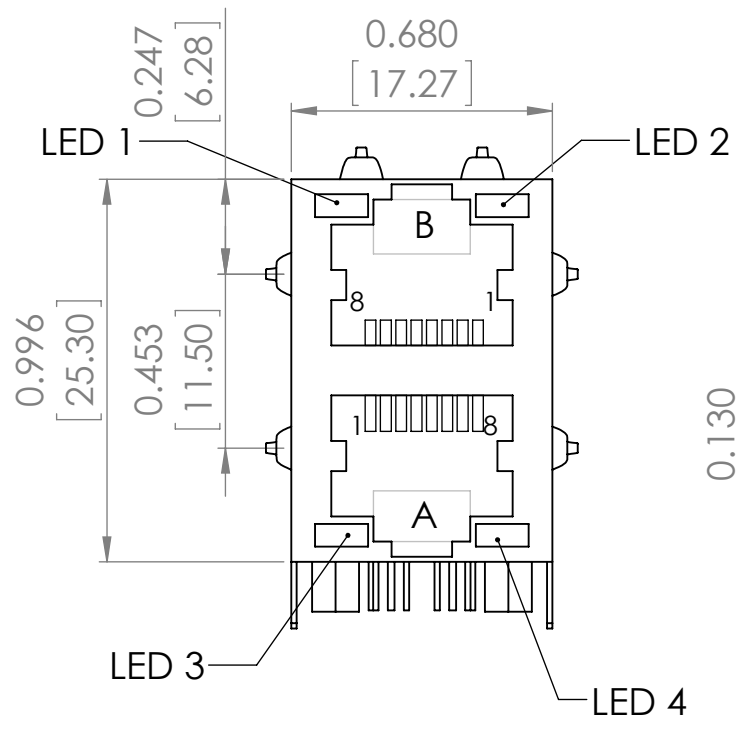



MA/MB



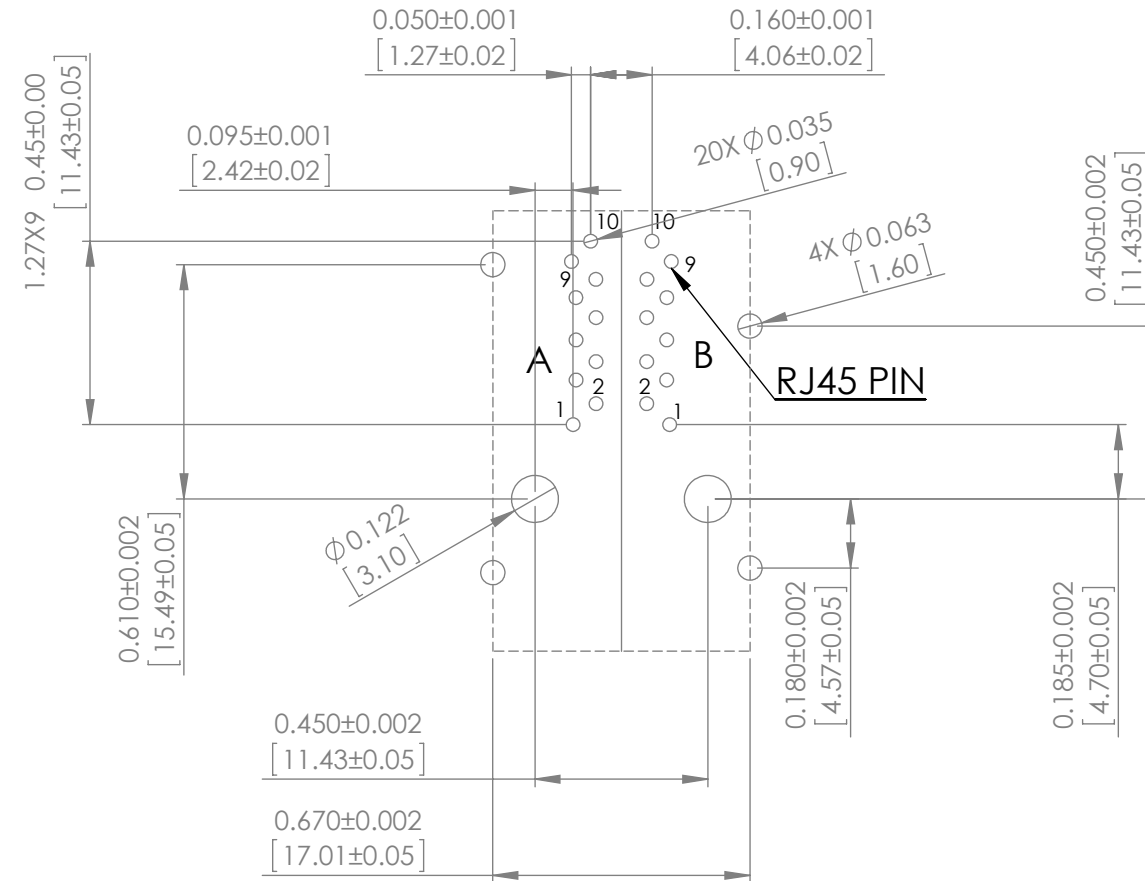
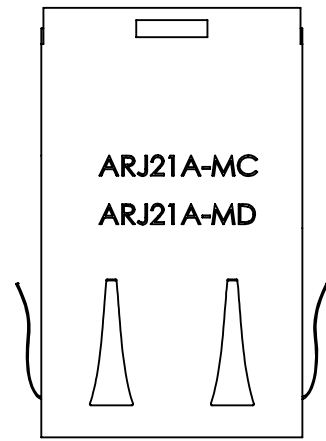
**PC BOARD LAYOUT
COMPONENT SIDE SHOWN**



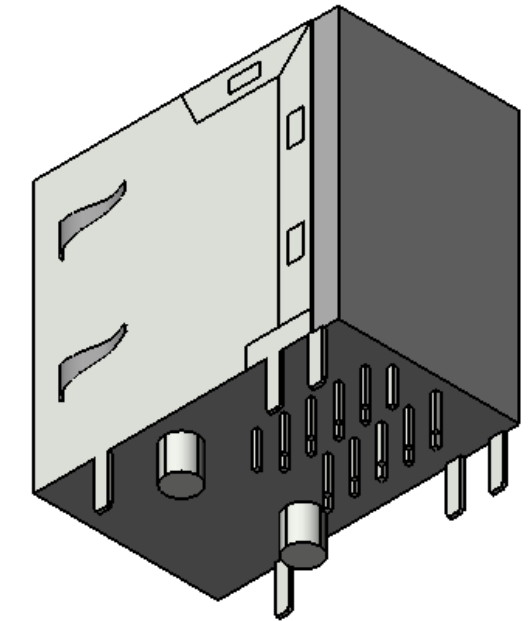
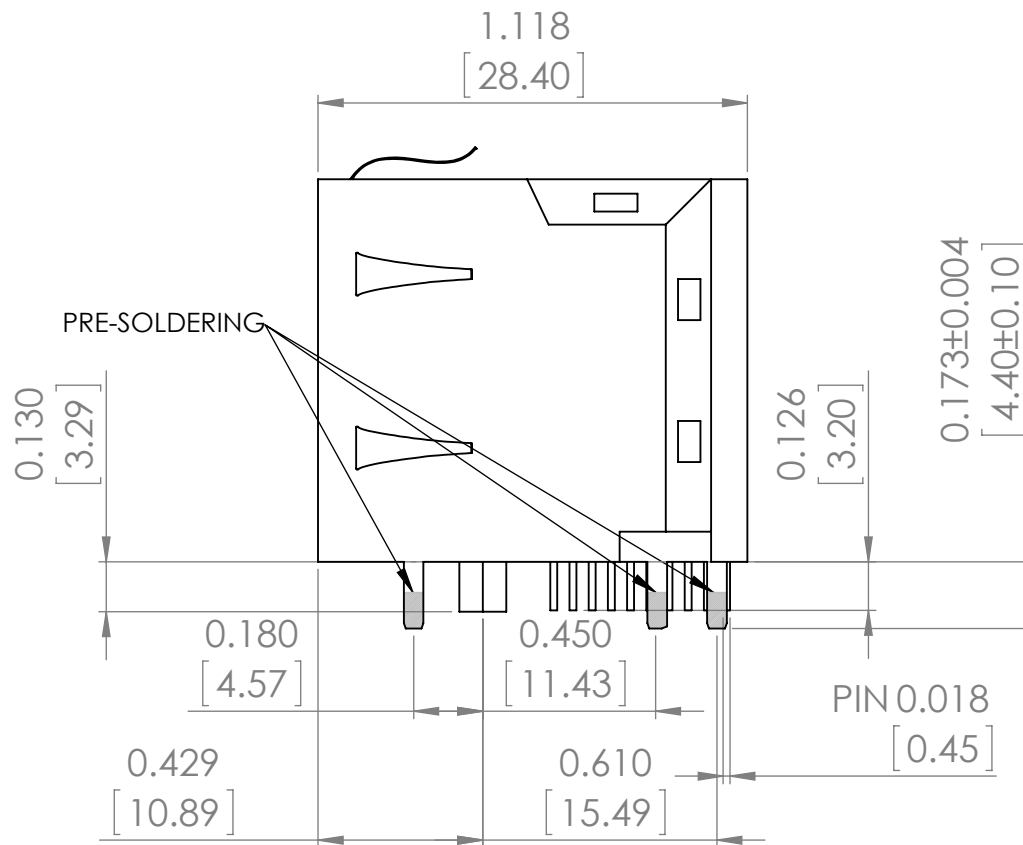
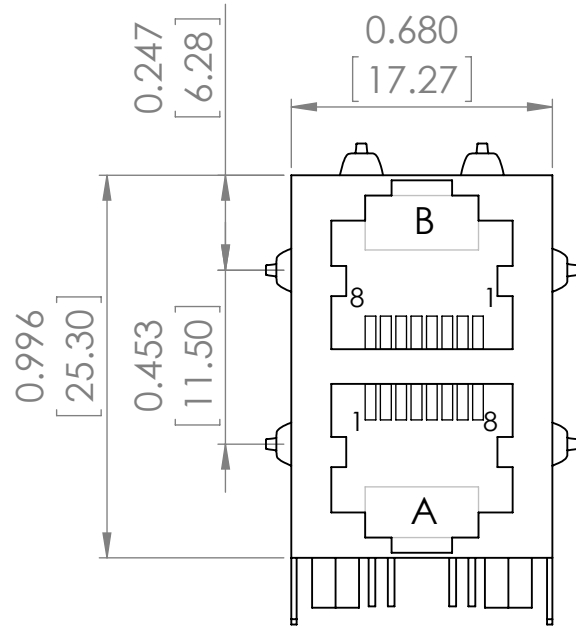
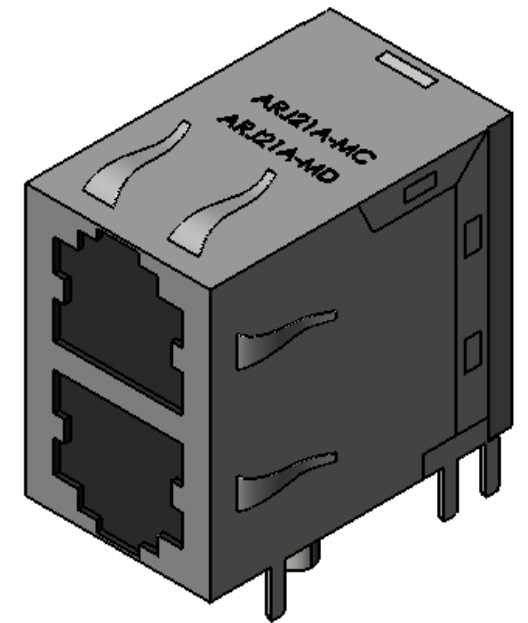
**TOP PACKAGE MARKING IS
FOR ILLUSTRATION PURPOSES ONLY**

DO NOT SCALE DRAWING		REVISION -	
 Apracon LLC, 2 Faraday, Suite#B Irvine, Ca. 92618			
TITLE:		Magnetics	
DWG NO. ARJ21A-MA		A3	
SCALE: 2:1		SHEET 1 OF 1	


MC/MD



**PC BOARD LAYOUT
COMPONENT SIDE SHOWN**



**TOP PACKAGE MARKING IS
FOR ILLUSTRATION PURPOSES ONLY**

DO NOT SCALE DRAWING		REVISION	-
 The Power of Linking Together			
Apracon LLC, 2 Faraday, Suite#B Irvine, Ca. 92618			
TITLE:		Magnetics	
DWG NO.	ARJ21A-MC		A3
SCALE: 2:1			SHEET 1 OF 1