

PRODUCT NUMBER  
20020326-XXXXXXLF

20020326-□ □ □ □ □ □ □ L F

PITCH

G: 5.00 mm  
H: 5.08 mm

POLES

04: 2x2 POLES  
06: 2x3 POLES  
(OTHER POSITIONS  
ON REQUEST ONLY)

LF : DENOTED RoHS COMPATIBLE

1 : STANDARD PRODUCT  
W/ BOX PACKING

SCREW CODE

CODE	SCREW TYPE	AVAILABILITY
A	-/+	ON REQUEST ONLY
B	-	STANDARD

PROPERTY TABLE			
FCI SERIES NAME		24-500	24-508
PITCH (mm)		5.00	5.08
VOLTAGE RATING (VAC)		300	300
CURRENT RATING (A)		20	20
APPLICABLE WIRE RANGE (AWG)	1-WIRE	12~22	12~22
	2-WIRE	18	18
WIRE CROSS SECTION (mm <sup>2</sup> )	SOLID	1-WIRE	2.5
		2-WIRE	1.0
	STRANDED	1-WIRE	1.5
		2-WIRE	0.75
OPENING CONTACT HOUSING(mm <sup>2</sup> )		2.5x2.5	2.5x2.5
WIRE STRIP LENGTH(mm)		6~7	6~7
TORQUE +/-10% (N-m/Lb-in)		0.4/3.5	0.4/3.5
SCREW		M2.5x0.4	M2.5x0.4
WITHSTANDING VOLTAGE (kV)		1.6	1.6
OPERATING TEMP. (°C)		-40~+115	-40~+115
SOLDERING TEMP. (°C)		250±10 (5 sec.)	250±10 (5 sec.)
POLES AVAILABLE		04~06	04~06
SAFETY CERTIFICATE			

HOUSING CODE

CODE	COLOR	AVAILABILITY
1	GREEN(RAL 6018/T)	STANDARD
2	BLACK	ON REQUEST ONLY
3	GREY(RAL 7004/P)	ON REQUEST ONLY
4	BLUE(RAL 5015/A)	ON REQUEST ONLY

NOTES:

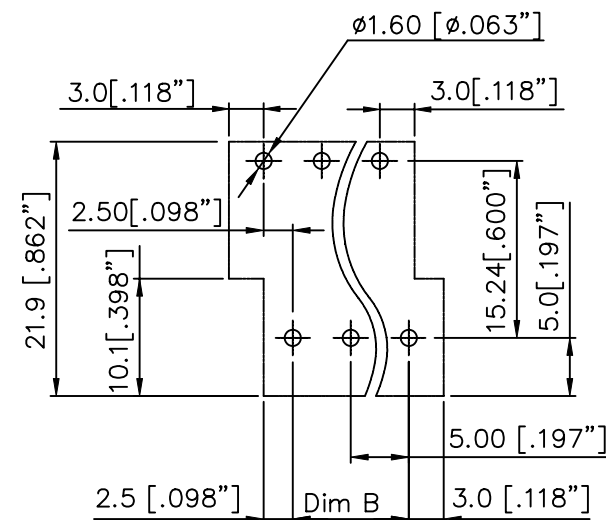
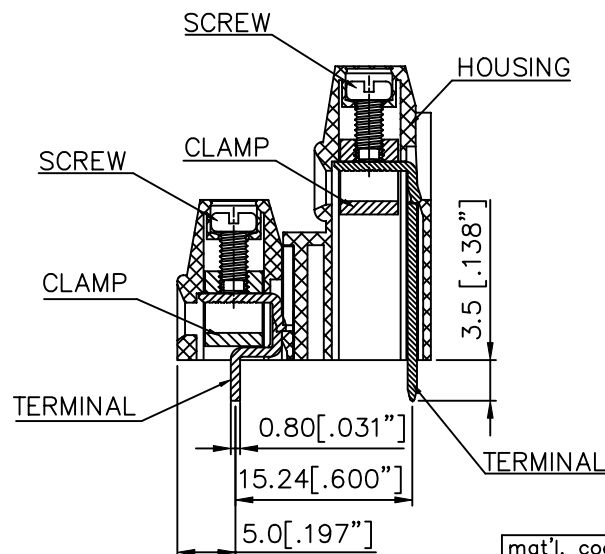
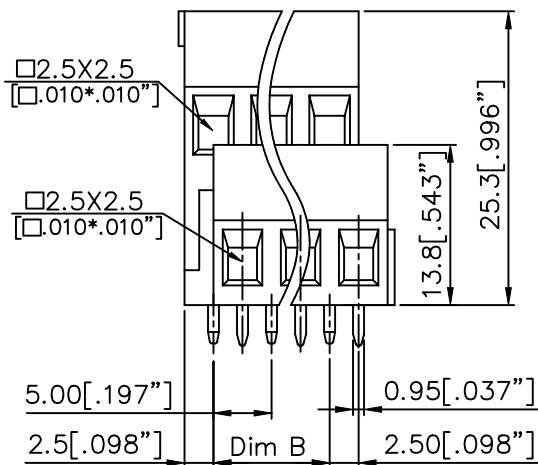
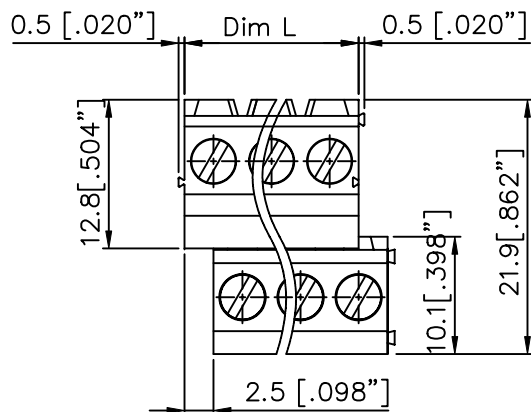
- MATERIALS  
1-1 HOUSING: THERMALPLASTIC RESIN, UL 94V-0 RATED.  
1-2 SCREW: STEEL, ZINC PLATED.  
1-3 CLAMP: COPPER ALLOY, NICKEL PLATED.  
1-4 TERMINAL: COPPER ALLOY, TIN PLATED.
- PRODUCT SPECIFICATION REFER TO FCI GS-12-625.
- PRODUCT PACKING SPECIFICATION REFER TO FCI GS-14-1394.
- FCI, SAFETY CERTIFICATE LOGO AND SERIES NAME TO BE SHOWN ON PRODUCT SURFACE.
- THE PRODUCTS WHERE THE PART NUMBER END IN "LF" MEET THE EUROPEAN UNION DIRECTIVE AND OTHER COUNTRY REGULATIONS AS DESCRIBED IN GS-22-008.
- RECOMENDED SOLDERING PROCESS BY WAVE SOLDER.

mat'l. code		surface	tolerance	projection	product family
		ASME Y14.5	ASME Y14.5		TERMINAL BLOCK
ltr	ecn no	dr	date	title	
A	T10-0138	WL	083110	TERMINAL BLOCK	
B	T10-0141	WL	090710	FIXED SIGNAL PLUG, OFFSET RIGHT, 2-LEVEL	
C	T10-0165	WL	101210	scale	
		dr	WENDY CHEN	081710	dwg no
		enr	JASON HSU	081710	sheet 1 of 3
		chr	GARY HSIEH	081710	size
		appd	JOSEPH HSIA	081710	20020326
					A4
		type			CUSTOMER Drawing
sheet index	revision sheet	C	C	C	
		1	2	3	



PRODUCT NUMBER	SERIES NAME	PITCH
20020326-GXXXXXXLF	24-500	5.00 mm

POLE	04	06
Dim L	10.0 [.394"]	15.0 [.590"]
Dim B	5.0 [.196"]	10.0 [.394"]
Tol.	±0.15 [.006"]	



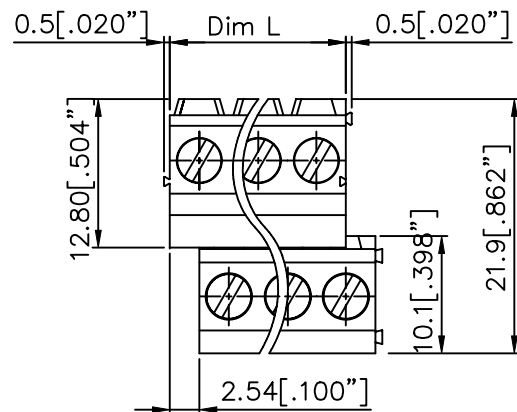
P.C.B LAYOUT

mat'l. code	surface ASME Y14.5	tolerance ASME Y14.5	projection 	product family TERMINAL BLOCK
ltr	ecn no	dr	date	title
tolerances unless otherwise specified				TERMINAL BLOCK FIXED SIGNAL PLUG, OFFSET RIGHT, 2-LEVEL
c	angles	in	tol	
	X°±1'	X.XX±0.1	scale	
	dr	WENDY CHEN	081710	dwg no
	enr	JASON HSU	081710	20020326
	chr	GARY HSIEH	081710	sheet 2 of 3
	appd	JOSEPH HSIA	081710	A4
sheet index	revision sheet			type CUSTOMER Drawing

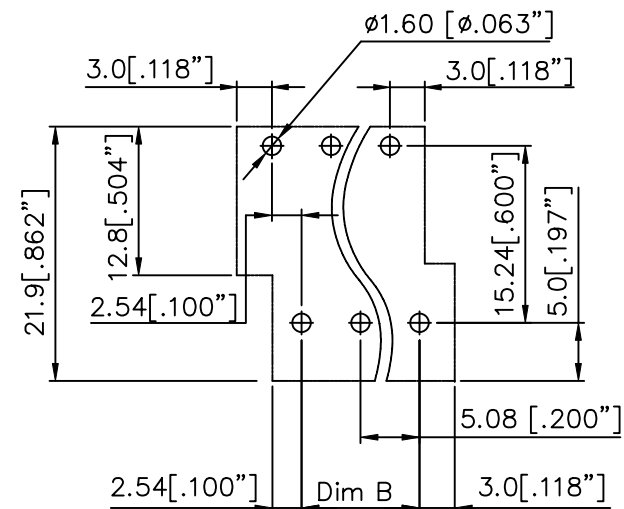
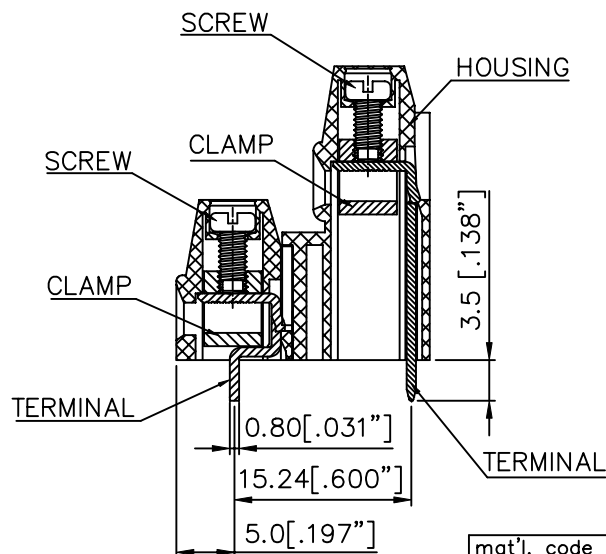
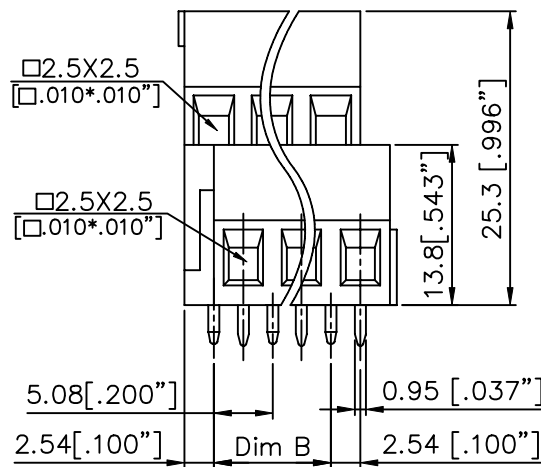




PRODUCT NUMBER	SERIES NAME	PITCH
20020326-HXXXXXL	24-508	5.08 mm



POLE	04	06
Dim L	10.16 [.400"]	15.24 [.600"]
Dim B	5.08 [.200"]	10.16 [.400"]
Tol.	±0.15 [.006"]	



P.C.B LAYOUT

mat'l. code	surface ASME Y14.5 ✓	tolerance ASME Y14.5	projection 	product family TERMINAL BLOCK			
ltr	ecn	no	dr	date	tolerances unless otherwise specified	title	
c					angles X±1°	TERMINAL BLOCK FIXED SIGNAL PLUG, OFFSET RIGHT, 2-LEVEL	
					linear X.X±0.5 X.X±0.3 X.XX±0.1	MM [INCH]	
					scale	scale	
			dr	WENDY CHEN	081710	dwg no	sheet 3 of 3
			enr	JASON HSU	081710	20020326	A4
			chr	GARY HSIEH	081710		
			appd	JOSEPH HSIA	081710	type	CUSTOMER Drawing
sheet index	revision sheet						

