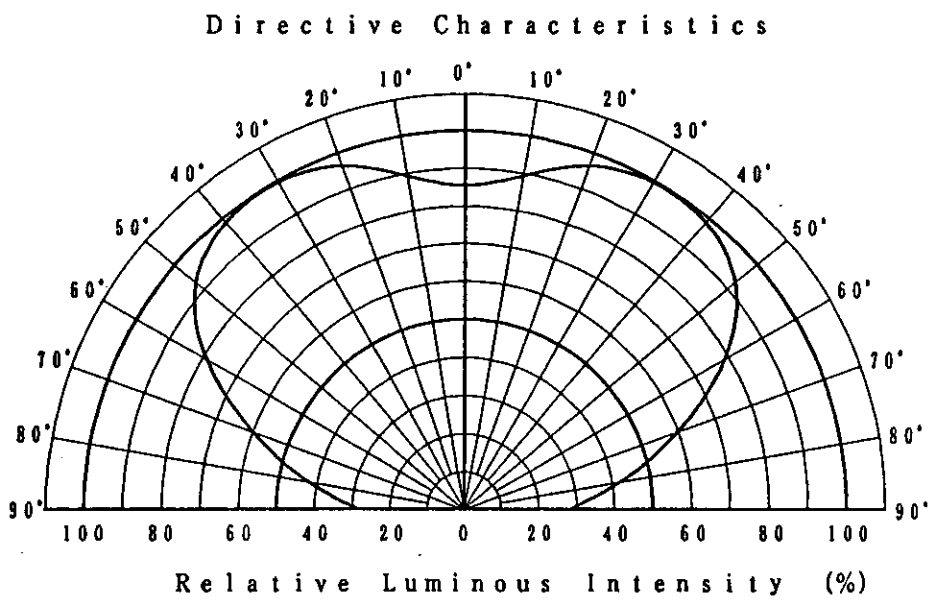
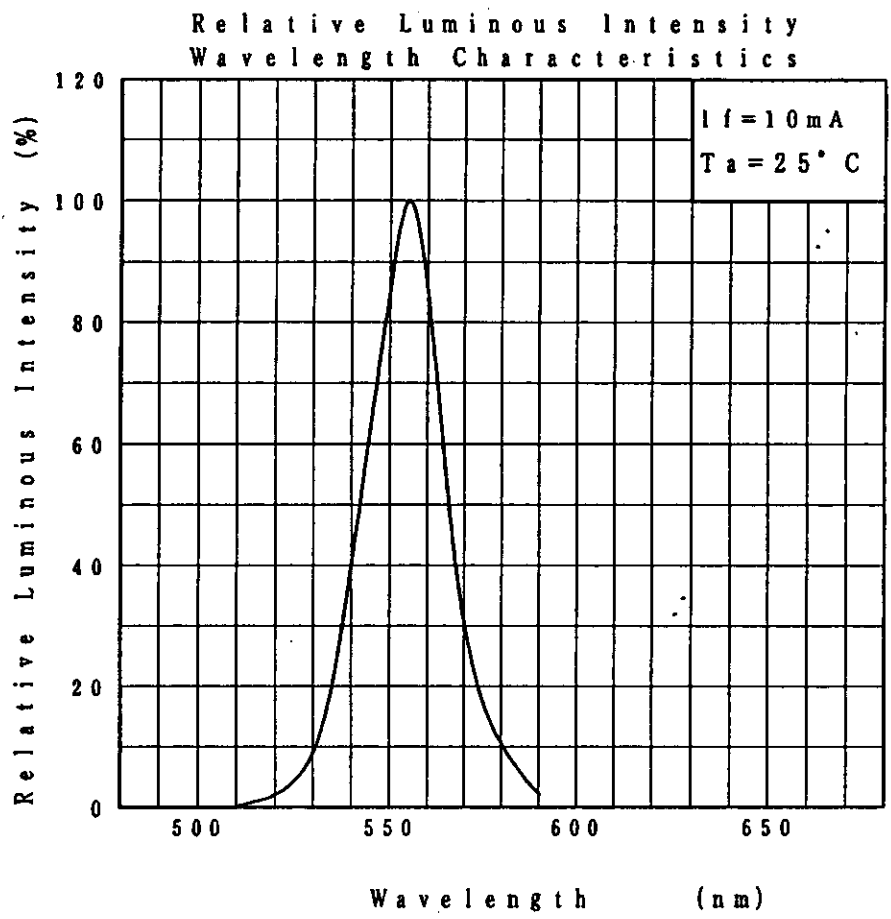


Approved <i>M. Yamaguchi</i>	Checked <i>T. Shikida</i>	Designed <i>K. Takahashi</i>	DEVELOPMENT SPECIFICATION				17	4
			P/N LNJ308G8PRA					
T Y P E	Green Light Emitting Diode							
APPLICATION	Indicators							
MATERIAL	GaP							
OUTLINE	Attached							
ABSOLUTE MAXIMUM RATINGS	P 50 mW	※IFP 100 mA	IFDC 20 mA	VR 4 V	Topr -25~+85 ℃	Tstg -40~+100 ℃		
CONDITION	Ta=25±3 ℃							
Test Specification								
Item	Symbol	Condition	Typ	Limit		Unit		
				Min	Max			
Forward Voltage	V _F	IF= 10 mA	2.03		2.6	V		
Reverse Leakage Current	I _R	VR= 4 V			10	μA		
Luminous Intensity	I _o	IF= 10 mA·DC	0.7	0.25		mcđ		
Peak Emission Wavelength	λ _P	IF= 10 mA·DC	555			nm		
Spectral Line Half Width	Δλ	IF= 10 mA·DC	20			nm		
<p>※ The Condition of IFP is duty 10 % , Pulse width 1 ms Please contact the Panasonic local office if you design at low current (below 1 mA DC) or pulse current operation and have any questions.</p> <p>NOTE</p> <p>★1 Terminal:Plated with gold on copper base.</p> <p>★2 Package:Light green diffusion type.</p> <p>★3 Soldering conditions. Refer to Handling note.</p> <p>★4 Care should be taken that soldering is done within 3-days after opening the drypackage and reel.</p>								
Aug. 26. 1998								



Aug. 26. 1998		
---------------	--	--

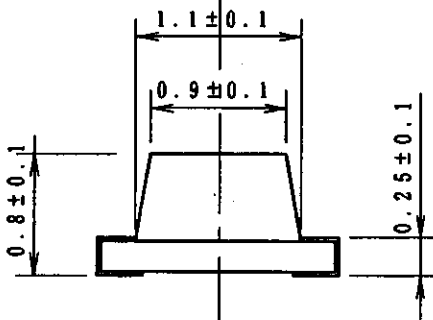
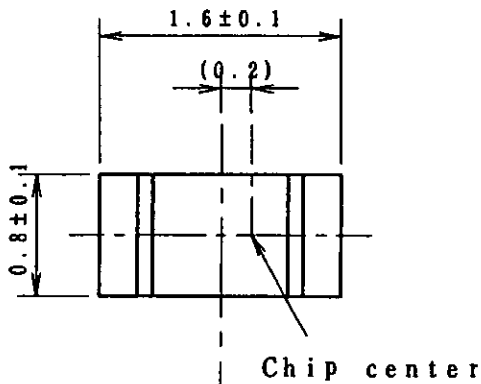
A. Yamaguchi | *T. Akeda* | *K. Sakurai*

DEVELOPMENT SPECIFICATION

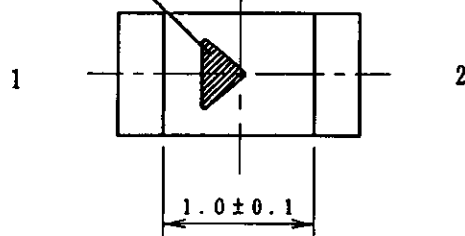
P/N: LNJ308G8PRA

17

7



Polarity mark



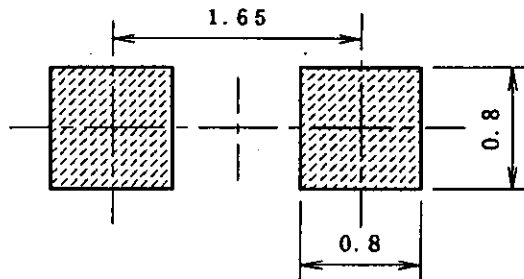
Polarity



1: Anode

2: Cathode

Recommended land layout



(NOTE)

1. Measurement of the package doesn't include electrode projection.
2. Unit: mm

Aug. 26. 1998