

PERM-O-PADS®

TO-5 and Integrated Circuit Mounts

Material Specifications:

White or Natural Nylon, per ASTM D4066 PA111, UL Rated 94V-2

Oxygen Rating Index: Over 28%

Standard Drawing Tolerances:

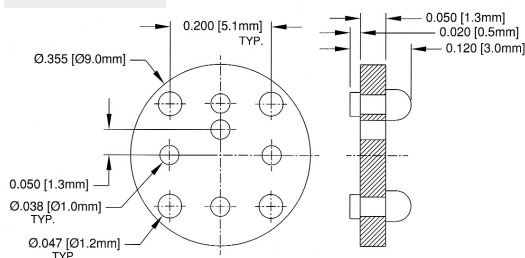
(unless otherwise indicated)

Fractions: $\pm 1/64$ (0.4) .XX = ± 0.01 (0.25)

.X = ± 0.10 (2.5) .XXX = ± 0.005 (0.13)

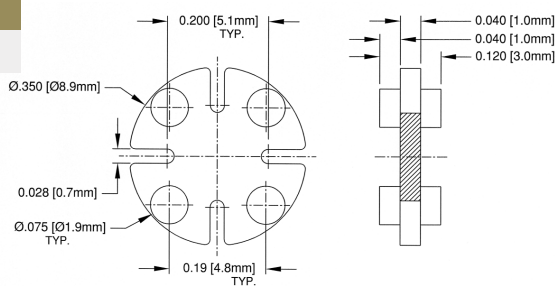
502-120

Price Code: A



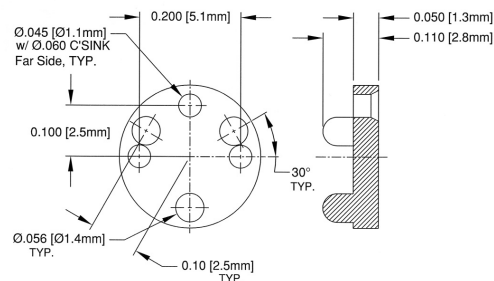
505-120

Price Code: A



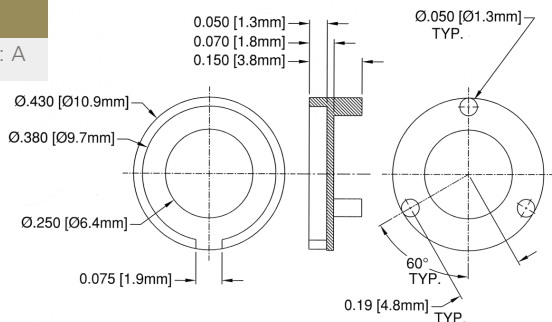
510-110

Price Code: A



512-150

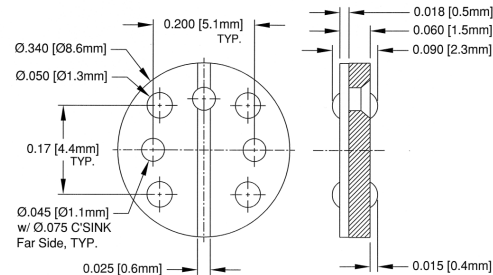
Price Code: A



517-095

Price Code: A

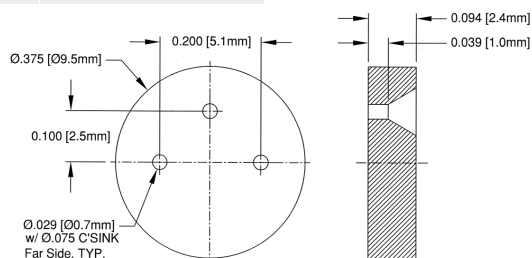
A55485 / 02-025N
M38527 / 02-025N



521-094

Price Code: A

A55485 / 01-041N
M38527 / 01-041N



528-117

Price Code: A

A55485 / 02-022N
M38527 / 02-022N

