

THIS DRAWING IS UNPUBLISHED. RELEASED FOR PUBLICATION 20  
 © COPYRIGHT 20 BY - ALL RIGHTS RESERVED.

REVISIONS				
P	LTR	DESCRIPTION	DATE	APVD
B		ECR-16-010100 UPDATE NAME	14JUL2016	L.Z X.X
B1		ECR-18-008476, ADD PCB LAYOUT	08JUN2018	G.W C.W
B2		ECR-18-009727	22JUN2018	G.W C.W

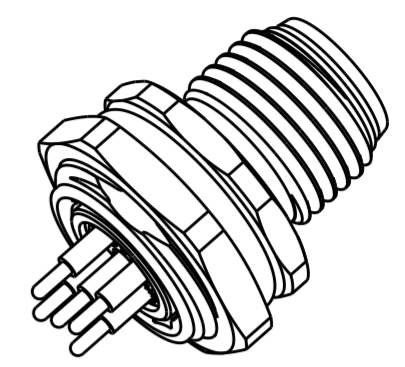
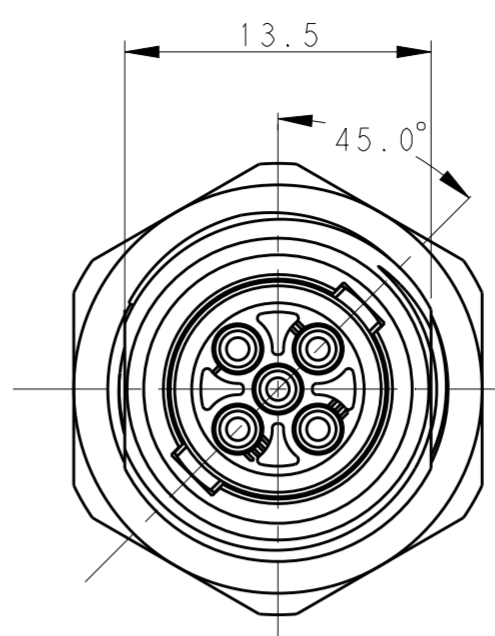
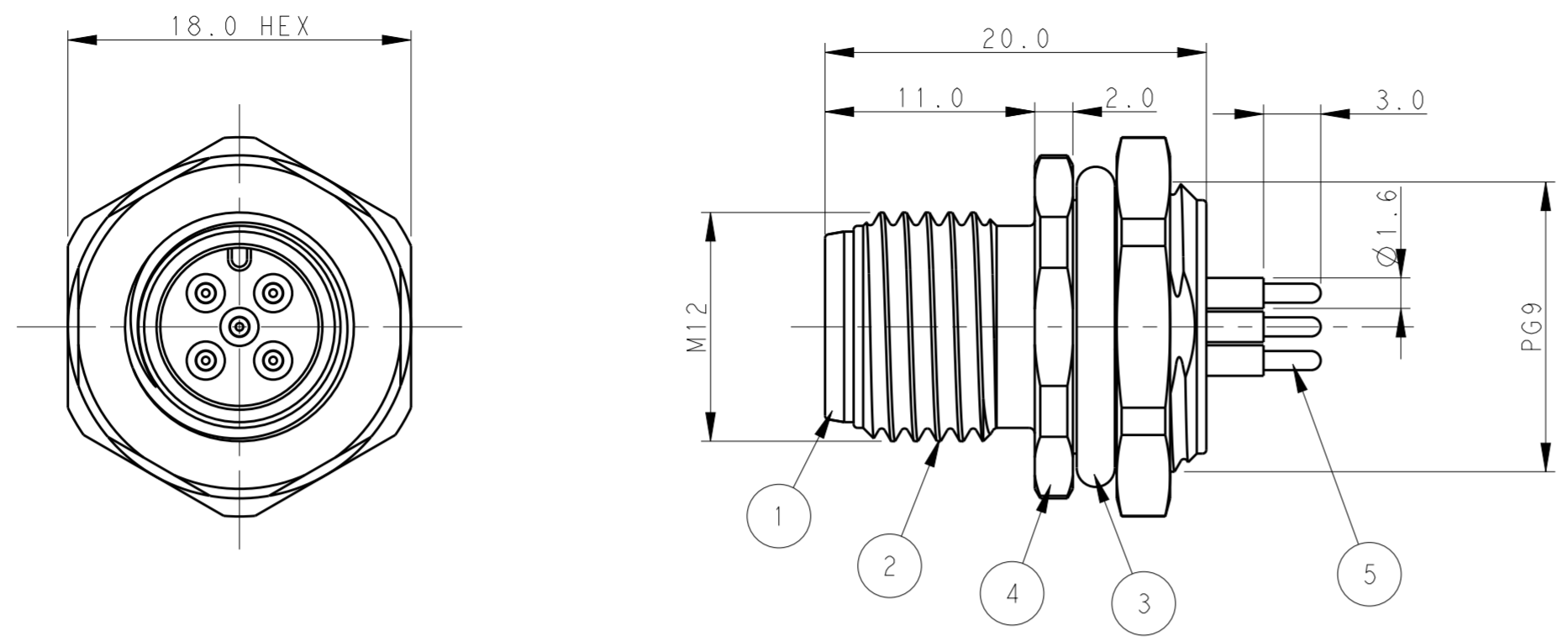
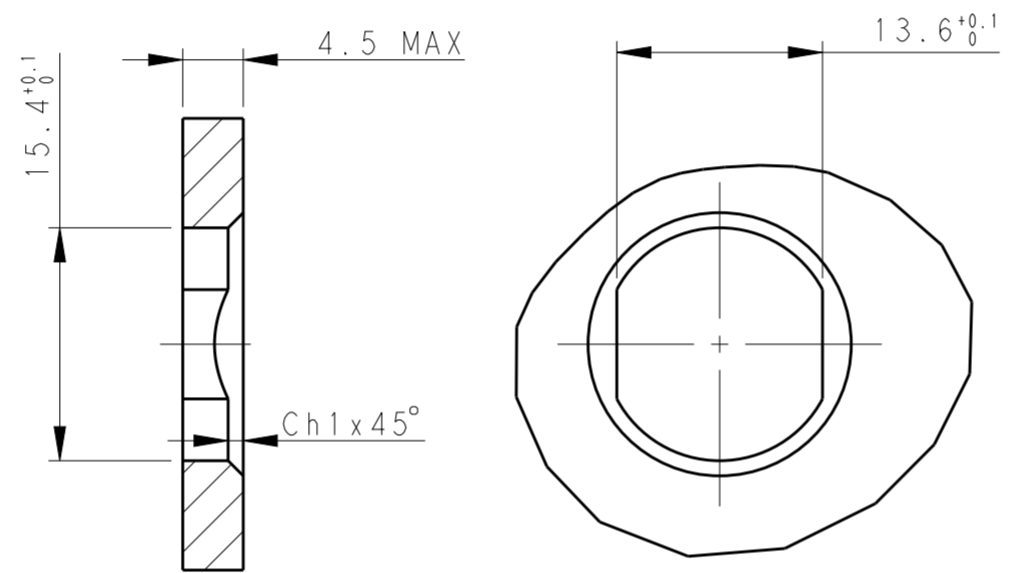


TABLE 1

TECHNICAL DATA	T4142012021-000	T4142012031-000	T4142012041-000	T4142012051-000
RATED VOLTAGE	250V	250V	250V	60V
RATED CURRENT	4A	4A	4A	4A
POLLUTION DEGREE	3	3	3	3
OVERVOLTAGE CATEGORY	II	II	II	II
MATERIAL GROUP	II	II	II	II
CONTACT RESISTANCE	<=10mΩ	<=10mΩ	<=10mΩ	<=10mΩ
INSULATION RESISTANCE	>100MΩ	>100MΩ	>100MΩ	>100MΩ
DEGREE OF PROTECTION	IP67	IP67	IP67	IP67
OPERATION TEMPERATURE	-40~85°C	-40~85°C	-40~85°C	-40~85°C



RECOMMENDED PANEL CUTOUT

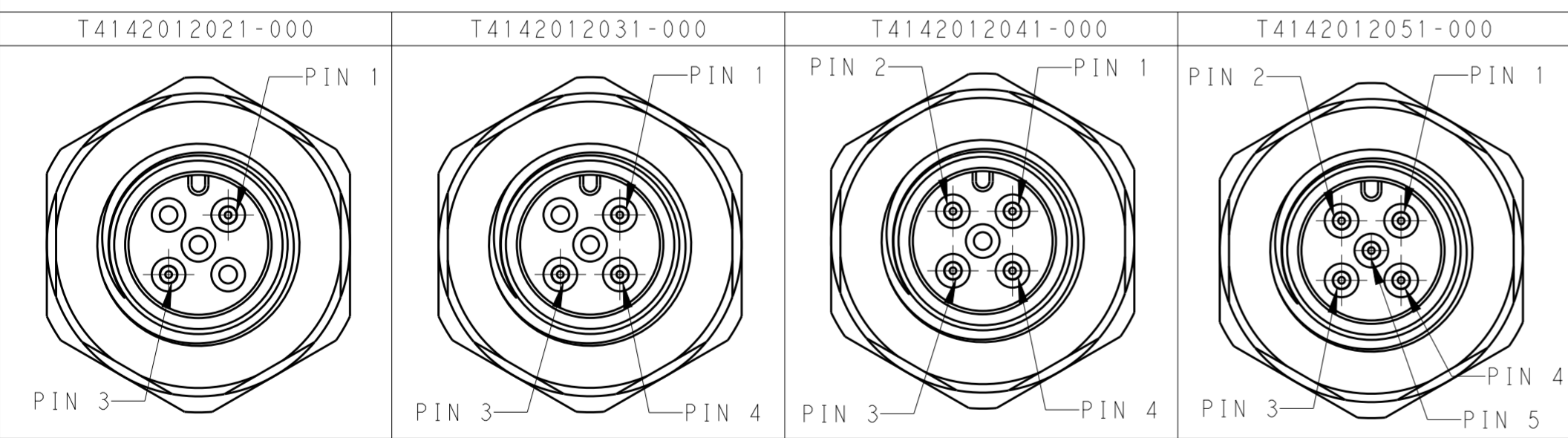
NOTE:  
 1. TECHNICAL DATA: SEE TABLE 1  
 2. RECOMMENDED MOUNT PANEL SEE DETAIL  
 3. PRODUCT COMPLIES WITH IEC61076-2-101  
 4. PLASTIC INERT MATERIAL:UL LISTED WITH UL94V0 FLAME RATING  
 5. ALL MATERIALS TO BE ROHS COMPLIANT  
 6. ALL MATERIALS TO BE REACH COMPLIANT  
 7. PN INFORMATION FOR ASSEMBLY PARTS

注释:  
 1: 技术参数, 见表1  
 2: 推荐开孔尺寸详见如图所示  
 3: 产品符合标准 IEC61076-2-101  
 4: 塑胶材料符合UL标准, UL-94V0阻燃等级  
 5: 所有材料符合ROHS参照标准TEC-138-705  
 6: 所有材料符合REACH参照标准TEC-138-705  
 7: 成品料号信息如下:

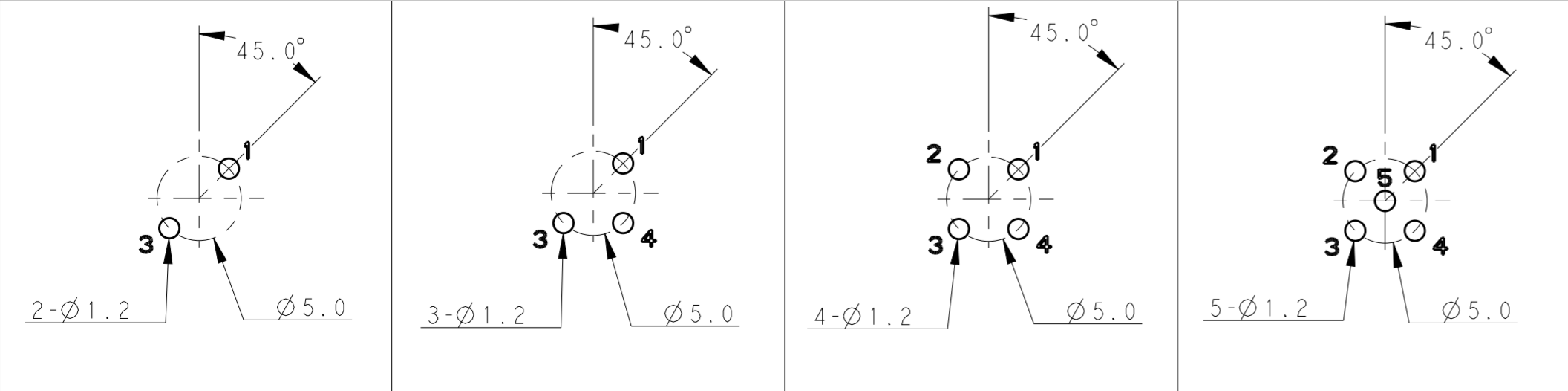
T41420120X1-000  
 CONTACT FINISH:  
 1: GOLD 3u''  
 NUMBER OF PINS:  
 02: 2 PINS  
 03: 3 PINS  
 04: 4 PINS  
 05: 5 PINS

T41420120X1-000  
 端子电镀:  
 1: 3u''全  
 针数:  
 02: 2 针  
 03: 3 针  
 04: 4 针  
 05: 5 针

PIN ARRANGEMENT A-CODE



RECOMMENDED DRILLING DIAGRAM



T4142012021-000	RPC-M12-MB-2CON-PG9-LBU
T4142012031-000	RPC-M12-MB-3CON-PG9-LBU
T4142012041-000	RPC-M12-MB-4CON-PG9-LBU
T4142012051-000	RPC-M12-MB-5CON-PG9-LBU

PLATING	MATERIAL	DESCRIPTION	ITEM				
			T4142012021-000	T4142012031-000	T4142012041-000	T4142012051-000	
3u'' GOLD MIN.	COPPER ALLOY	CONTACT	5	2	3	4	5
200u'' NICKEL MIN.	COPPER ALLOY	METAL NUT	4	1	1	1	1
-	-	O-RING	3	1	1	1	1
200u'' NICKEL MIN.	COPPER ALLOY	M12, MALE, METAL BODY	2	1	1	1	1
-	PA66	M12, MALE HSG	1	1	1	1	1

THIS DRAWING IS A CONTROLLED DOCUMENT.		DWN BO GAO 02FEB2016	TE Connectivity	
DIMENSIONS: mm		CHK KOBBY ZHAO		
TOLERANCES UNLESS OTHERWISE SPECIFIED:		APVD XIANG XU	NAME M12 PANEL MOUNT CONNECTOR A CODE, MALE, FRONT MOUNTING PCB SOLDERING	
0 PLC ±		PRODUCT SPEC 108-106140	SIZE A2	
1 PLC ±0.2		APPLICATION SPEC 114-137144	CAGE CODE -	
2 PLC ±0.2		WEIGHT -	DRAWING NO. C-T41420120X1000	
3 PLC ±0.2		CUSTOMER DRAWING	RESTRICTED TO -	
4 PLC ±			SCALE 3:1	
ANGLES ±			SHEET 1 OF 1	
FINISH -			REV B2	