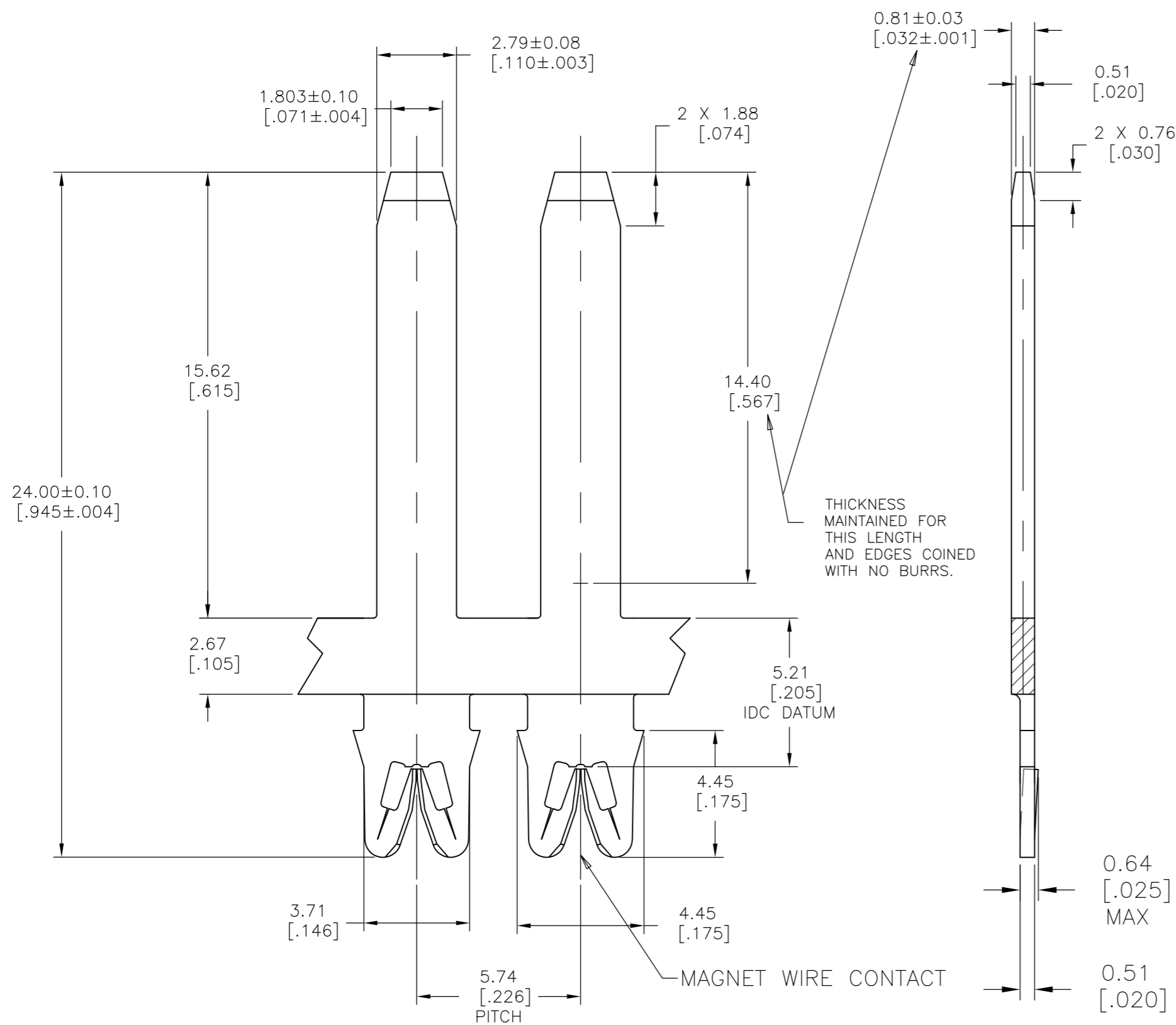
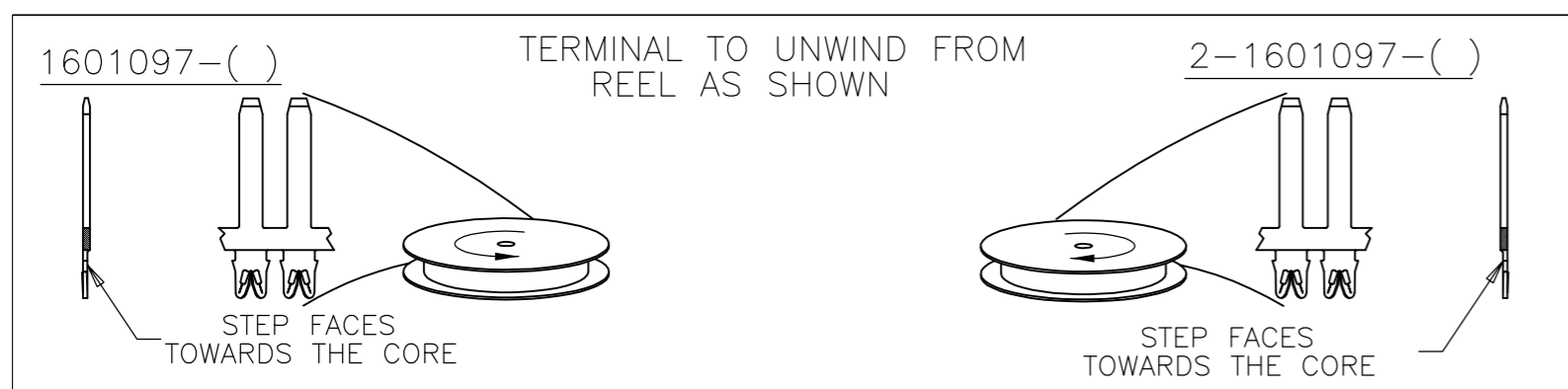
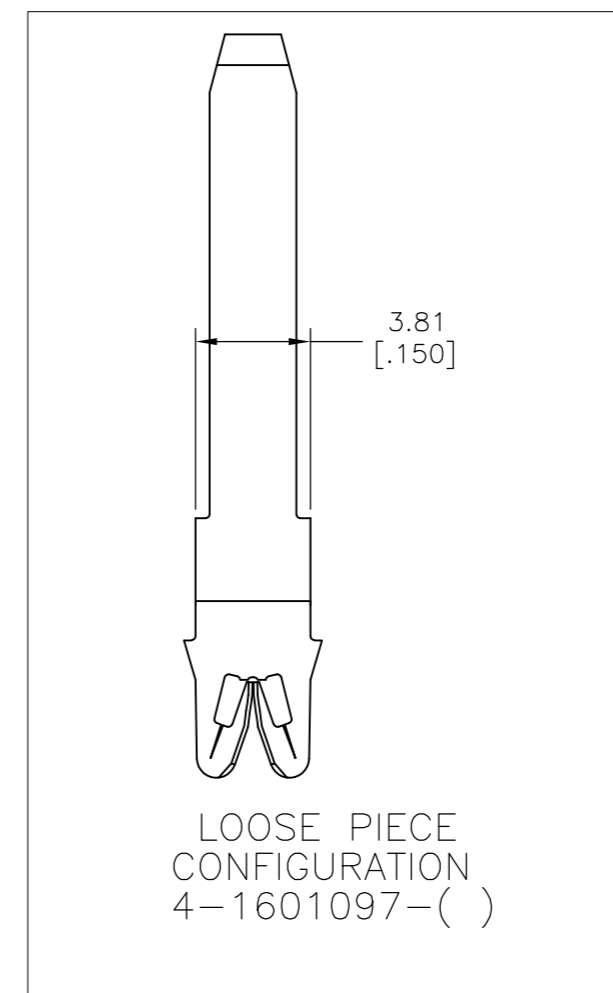


THIS DRAWING IS UNPUBLISHED. RELEASED FOR PUBLICATION
 © COPYRIGHT - By - ALL RIGHTS RESERVED.

LOC	DIST	REVISIONS			
P	LTR	DESCRIPTION	DATE	DWN	APVD
AF	50	B6	REVISED PER ECR-12-002783	17FEB12	KH GJ



- SPECIFICATIONS:
MAGNET WIRE #34 - #18 AWG 0.16mm[.006] -1.02mm[.040] DIA COPPER.
- POCKET RECOMMENDATION: # 1601431
- TERMINAL APPLICATION TO COMPLY WITH TYCO ELECTRONICS SPECIFICATION 114-13166 FIGURE 10
- TWO TERMINALS SHOWN FOR ILLUSTRATION PURPOSES.



OBSELETE	PRE TIN PLATE	131-168-021	2-1601097-2																												
	POST TIN PLATED OVER NICKEL	-	1601097-3																												
	PRE TIN PLATE	131-167-021	1601097-2																												
	FINISH	REFERENCE PART NUMBER	TE PART NUMBER																												
THIS DRAWING IS A CONTROLLED DOCUMENT.		<table border="1"> <tr> <td>DWN</td> <td>J.WELLER</td> <td>11JAN2002</td> </tr> <tr> <td>CHK</td> <td>M.FEHER</td> <td>11JAN2002</td> </tr> <tr> <td>APVD</td> <td>K.RANDOLPH</td> <td>11JAN2002</td> </tr> </table>		DWN	J.WELLER	11JAN2002	CHK	M.FEHER	11JAN2002	APVD	K.RANDOLPH	11JAN2002																			
DWN	J.WELLER	11JAN2002																													
CHK	M.FEHER	11JAN2002																													
APVD	K.RANDOLPH	11JAN2002																													
<table border="1"> <tr> <td>DIMENSIONS:</td> <td>TOLERANCES UNLESS OTHERWISE SPECIFIED:</td> </tr> <tr> <td>mm [INCHES]</td> <td></td> </tr> <tr> <td></td> <td>0 PLC ± -</td> </tr> <tr> <td></td> <td>1 PLC ± -</td> </tr> <tr> <td></td> <td>2 PLC ± 0.13[.005]</td> </tr> <tr> <td></td> <td>3 PLC ± -</td> </tr> <tr> <td></td> <td>4 PLC ± -</td> </tr> <tr> <td></td> <td>ANGLES ± 2°</td> </tr> </table>		DIMENSIONS:	TOLERANCES UNLESS OTHERWISE SPECIFIED:	mm [INCHES]			0 PLC ± -		1 PLC ± -		2 PLC ± 0.13[.005]		3 PLC ± -		4 PLC ± -		ANGLES ± 2°	<table border="1"> <tr> <td>NAME</td> <td colspan="3">STANDARD RANGE WIRE TO 2.79 X 0.81 TAB SIAMEZE TERMINAL</td> </tr> <tr> <td>PRODUCT SPEC</td> <td colspan="3">108-2085</td> </tr> <tr> <td>APPLICATION SPEC</td> <td colspan="3">3</td> </tr> </table>		NAME	STANDARD RANGE WIRE TO 2.79 X 0.81 TAB SIAMEZE TERMINAL			PRODUCT SPEC	108-2085			APPLICATION SPEC	3		
DIMENSIONS:	TOLERANCES UNLESS OTHERWISE SPECIFIED:																														
mm [INCHES]																															
	0 PLC ± -																														
	1 PLC ± -																														
	2 PLC ± 0.13[.005]																														
	3 PLC ± -																														
	4 PLC ± -																														
	ANGLES ± 2°																														
NAME	STANDARD RANGE WIRE TO 2.79 X 0.81 TAB SIAMEZE TERMINAL																														
PRODUCT SPEC	108-2085																														
APPLICATION SPEC	3																														
MATERIAL	FINISH	WEIGHT	RESTRICTED TO																												
BRASS, 3/4 HARD	SEE TABLE	-	-																												
CUSTOMER DRAWING		SCALE	SHEET																												
		6:1	1 OF 1																												
		DRAWING NO	REV																												
		A2 00779 C=1601097	B6																												