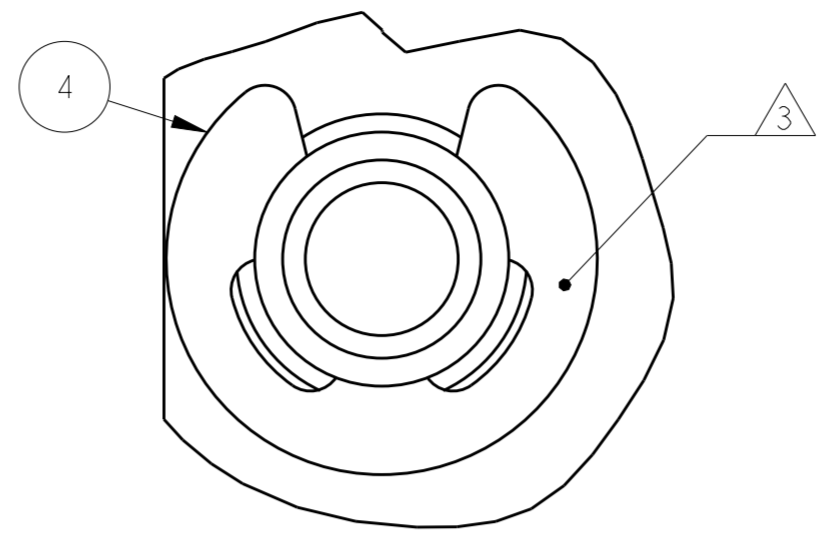
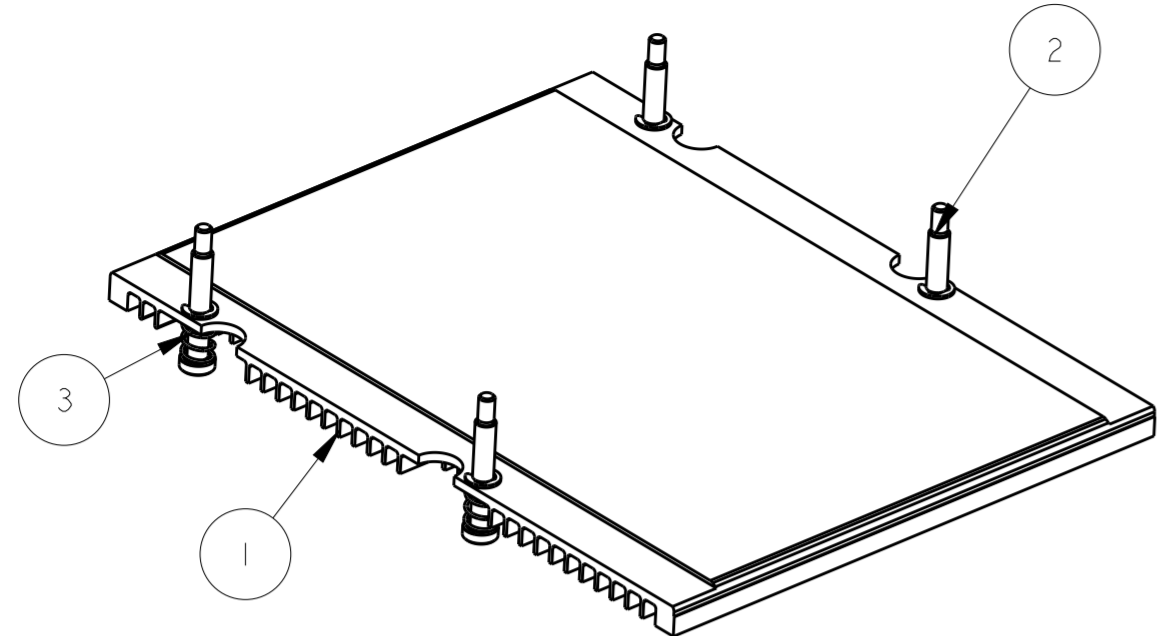


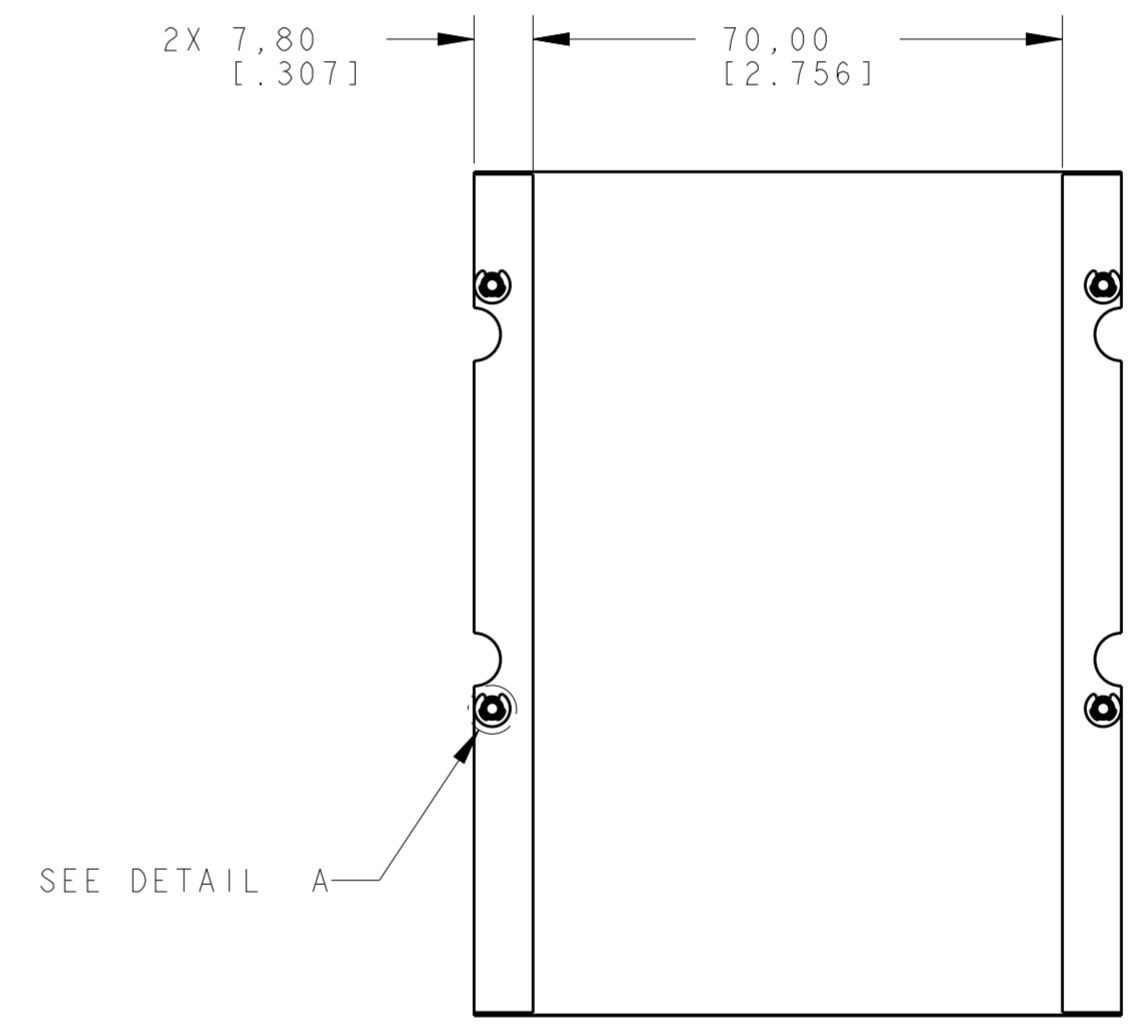
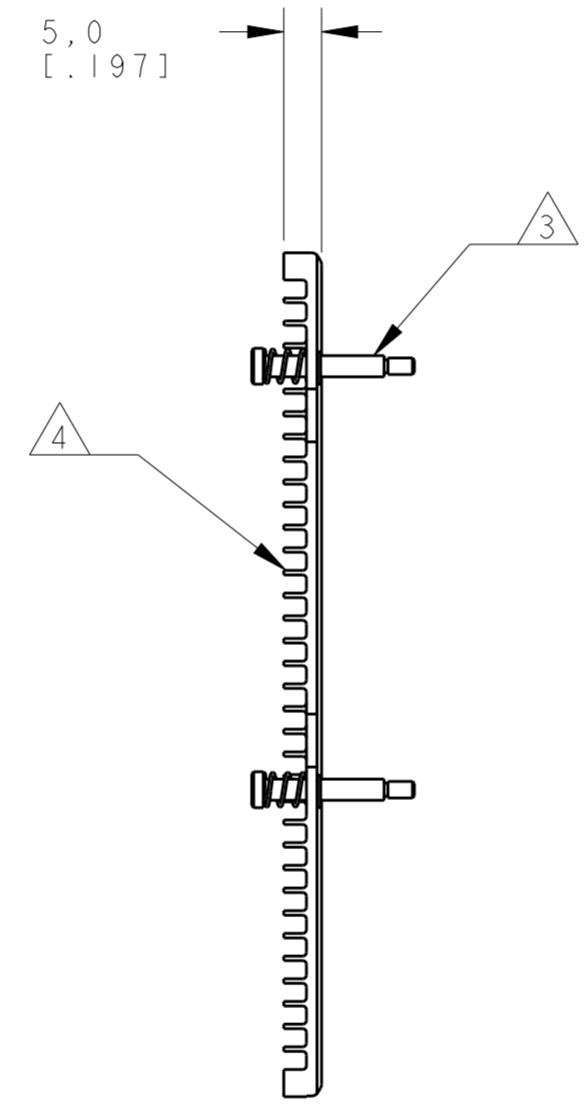
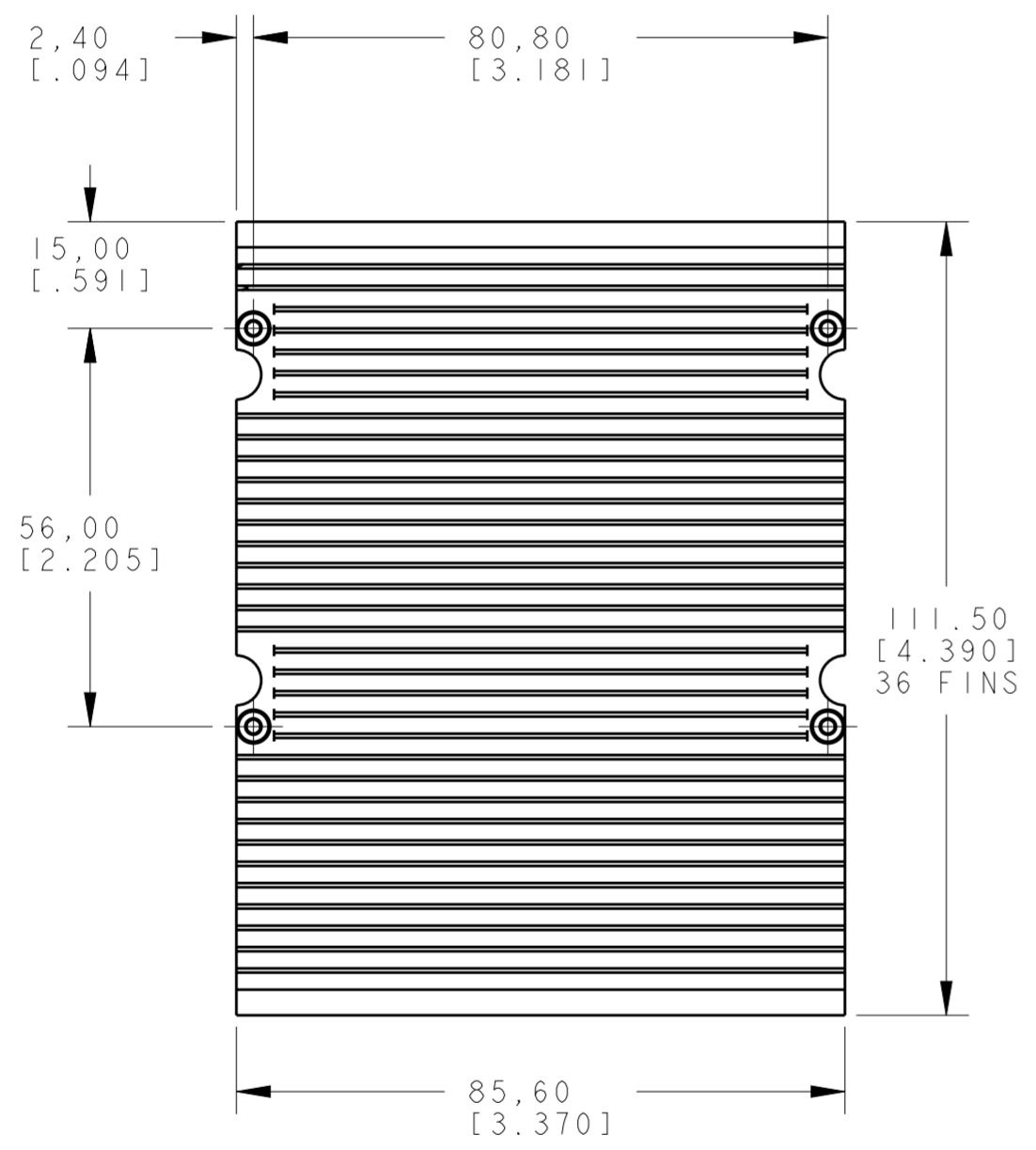
THIS DRAWING IS UNPUBLISHED. RELEASED FOR PUBLICATION 20  
 © COPYRIGHT 20 BY - ALL RIGHTS RESERVED.

LOC	DIST	REVISIONS					
GP	00	P	LTR	DESCRIPTION	DATE	DWN	APVD
		A		RELEASED	17SEP2013	CJV	MRS
		B		REVISED PER ECO-16-002273	18FEB2016	PP	SH
		C		REVISED PER ECO-16-015207	09OCT2016	PP	SH



DETAIL A  
SCALE 12.000

- 1 HEATSINK MATERIAL: ALUMINUM ALLOY
- 2 FINISH: HARDCOAT ANNOXIDIZED
- 3 2-56 SHOULDER BOLT AND SPRING PRE-ASSEMBLED AND HELD IN PLACE WITH CLIP
- 4 FULL ROUND PERMITTED ON TOP OF HEATSINK FINS



QTY	UNIT	DESCRIPTION	ITEM NO.
4	4	E-CLIP	4
4	4	SPRING	3
4	4	2-56 SHOULDER SCREW	2
1	-	HEAT SINK (36 FINS, LOW)	1
-	-	HEAT SINK (36 FINS)	
-	-	HEAT SINK (46 FINS)	
-5	-3	DESCRIPTION	ITEM NO.

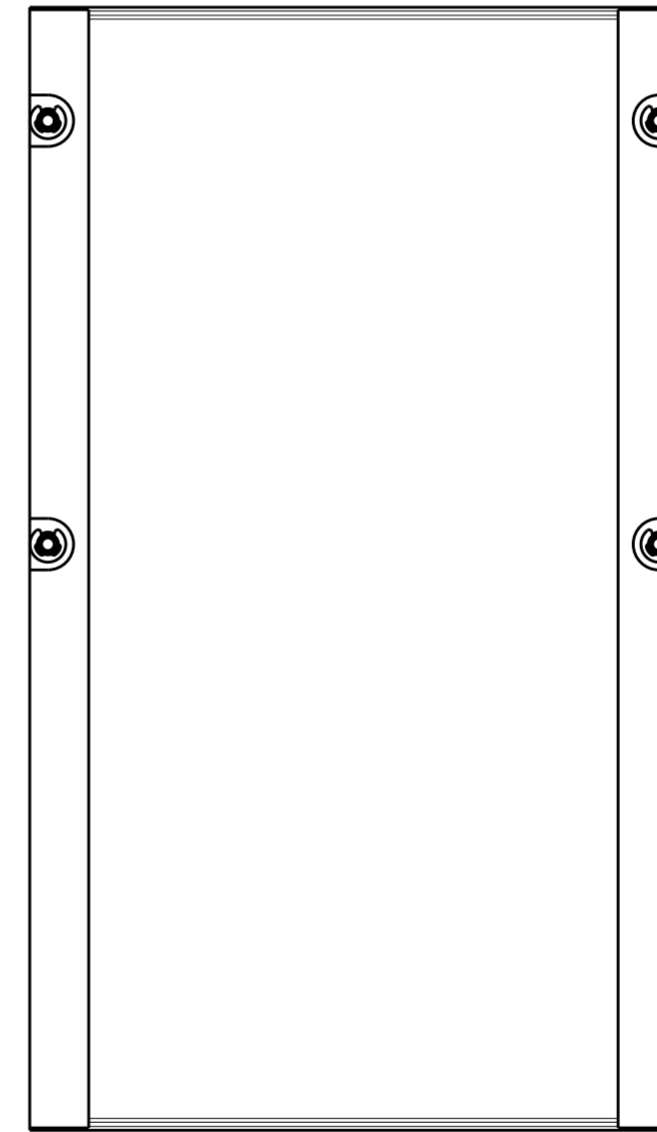
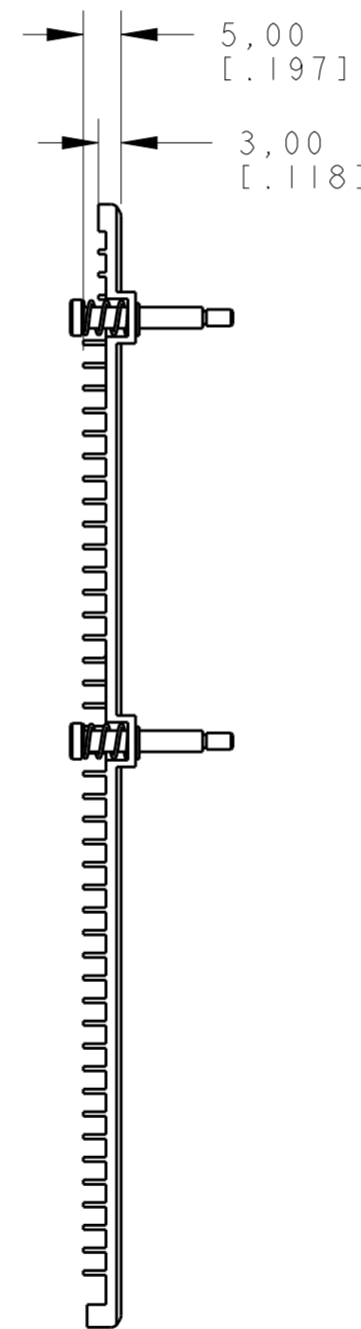
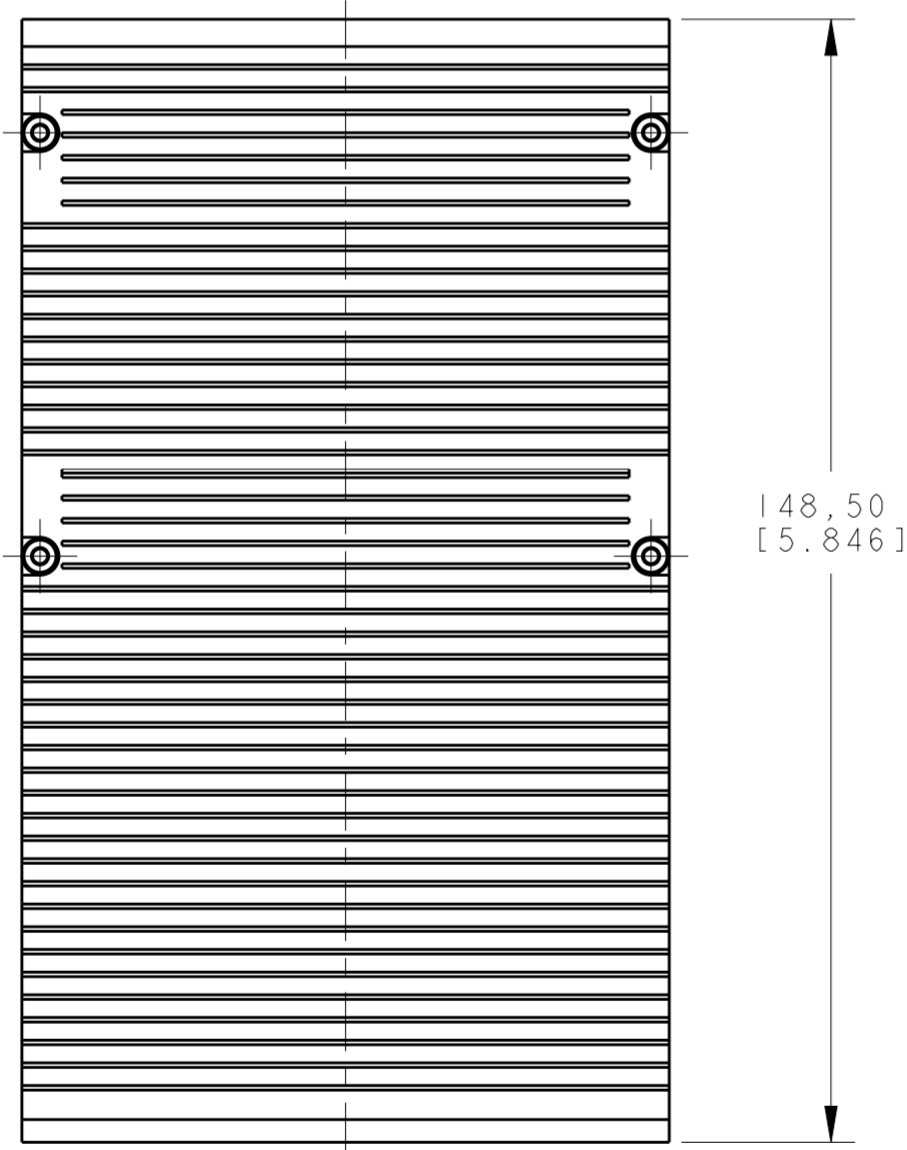
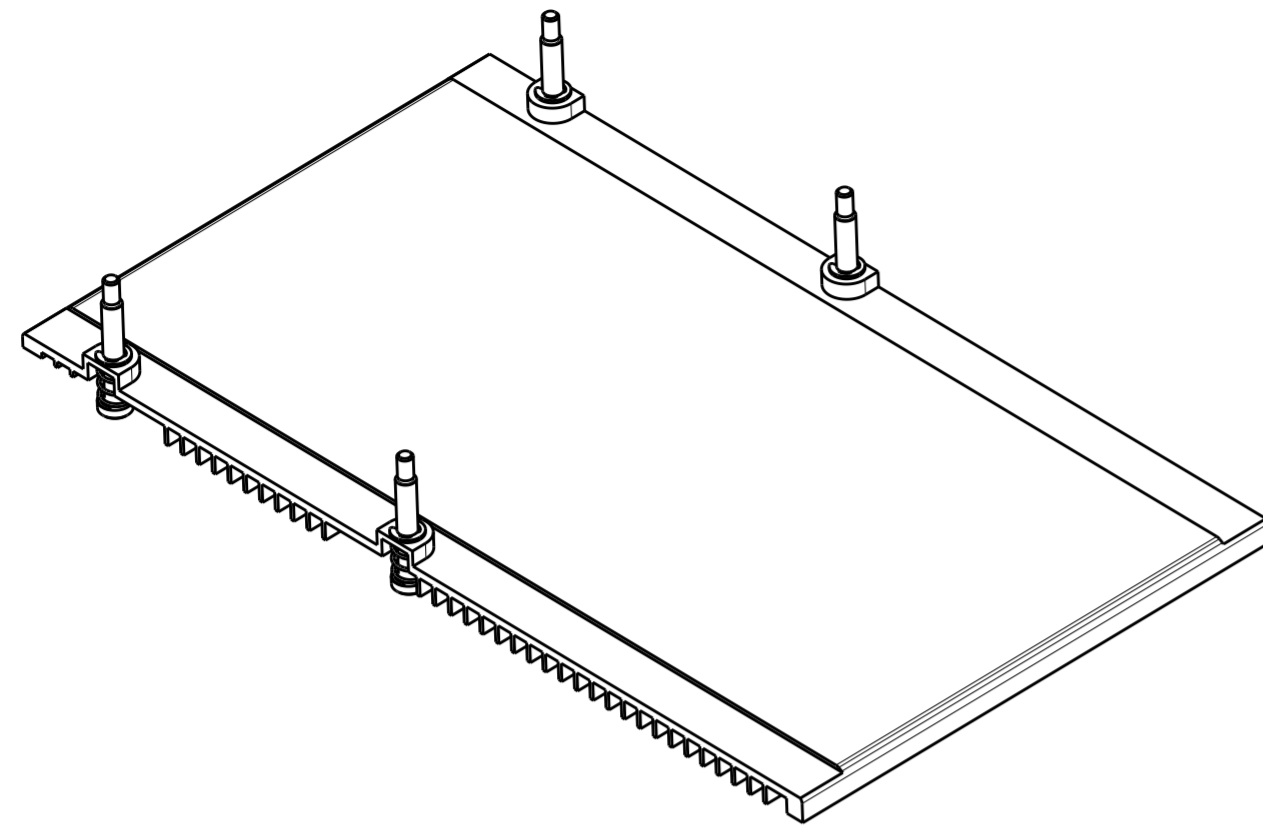
2274283-1 AS SHOWN

THIS DRAWING IS A CONTROLLED DOCUMENT.


DWN: C. VALENTINE 17SEP2013	TE Connectivity
CHK: M. SCHMITT 17SEP2013	
APVD: M. SCHMITT 17SEP2013	
PRODUCT SPEC	
APPLICATION SPEC	NAME: HEAT SINK ASSEMBLY 100 GIG PLUGGABLE
WEIGHT	SIZE: A20779 CAGE CODE: C-2274283 DRAWING NO: RESTRICTED TO: -
CUSTOMER DRAWING	SCALE: 1.000 SHEET 1 OF 3 REV C

THIS DRAWING IS UNPUBLISHED. RELEASED FOR PUBLICATION 20  
 © COPYRIGHT 20 BY - ALL RIGHTS RESERVED.

LOC		DIST		REVISIONS			
P	LTR	DESCRIPTION	DATE	DWN	APVD		
-	-	SEE SHEET 1	-	-	-		



2274283-3 AS SHOWN  
 UNSPECIFIED DIMENSIONS REFER 2274283-1

THIS DRAWING IS A CONTROLLED DOCUMENT.		DWN C. VALENTINE 17SEP2013	 TE Connectivity	
DIMENSIONS: mm(inch)		CHK M. SCHMITZ 17SEP2013		
TOLERANCES UNLESS OTHERWISE SPECIFIED:		APVD M. SCHMITZ 17SEP2013	NAME HEAT SINK ASSEMBLY 100 GIG PLUGGABLE	
0 PLC ±	1 PLC ±.5	PRODUCT SPEC	SIZE	
2 PLC ±.25	3 PLC ±.125	APPLICATION SPEC	CAGE CODE	DRAWING NO
4 PLC ±.0001	ANGLES ±	WEIGHT	A200779	C-2274283
FINISH		CUSTOMER DRAWING	SCALE 1.000	SHEET 2 OF 3
material_2	finish_spec_2			REV C

4

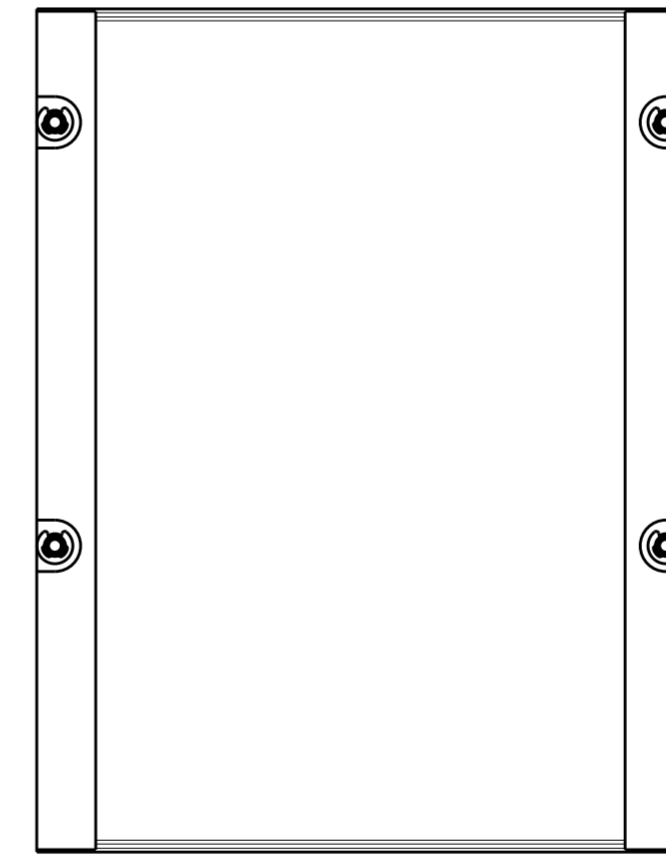
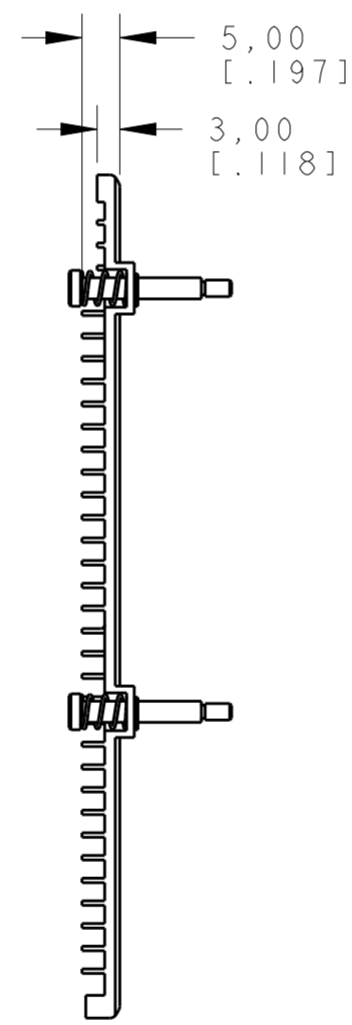
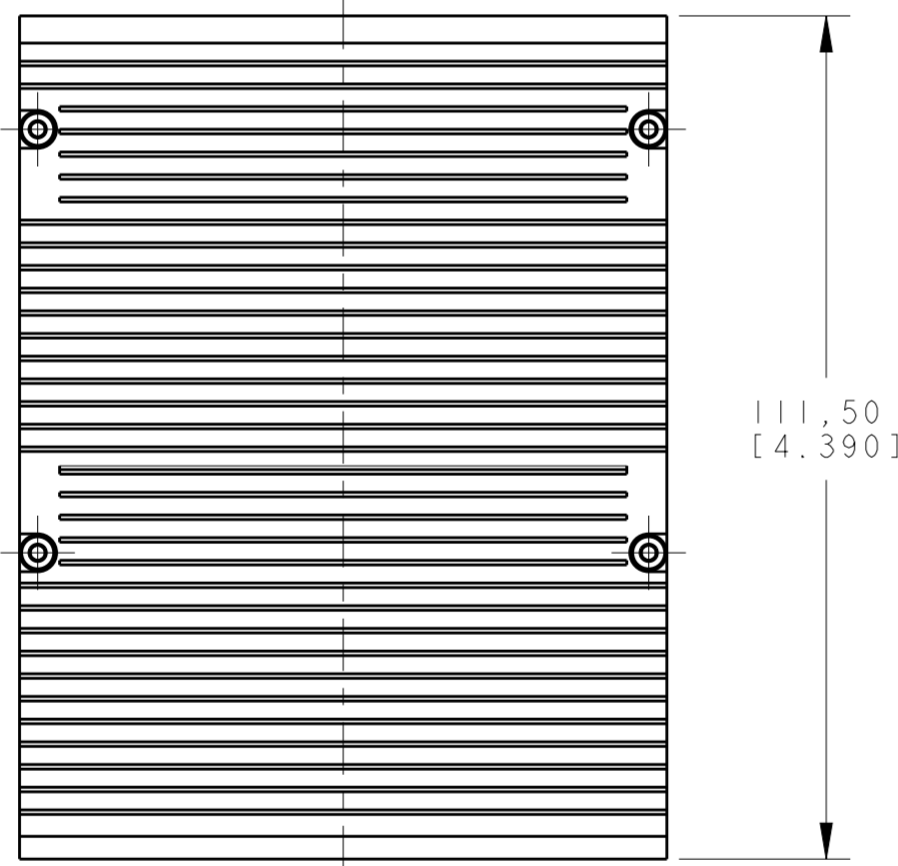
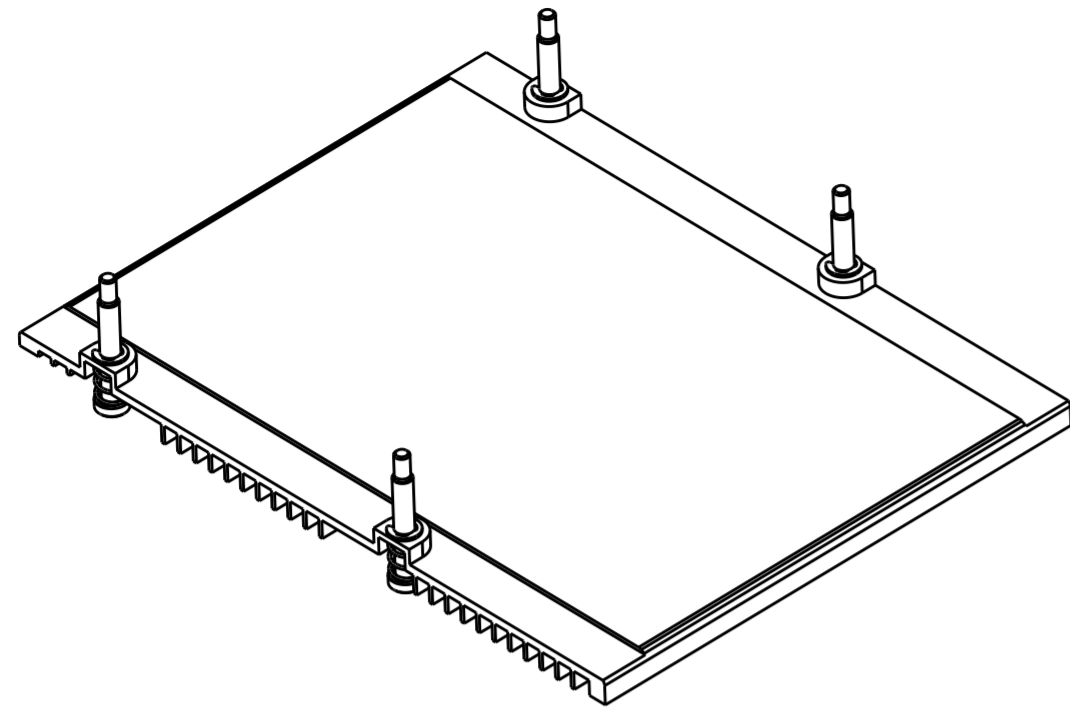
3

2


1

THIS DRAWING IS UNPUBLISHED. RELEASED FOR PUBLICATION 20  
 © COPYRIGHT 20 BY - ALL RIGHTS RESERVED.

LOC		DIST		REVISIONS			
P	LTR	DESCRIPTION	DATE	DWN	APVD		
-		SEE SHEET 1	-	-	-		



2274283-5 AS SHOWN  
 UNSPECIFIED DIMENSIONS REFER 2274283-1

THIS DRAWING IS A CONTROLLED DOCUMENT.		DWN C. VALENTINE 17SEP2013	 TE Connectivity	
DIMENSIONS: mm		CHK M. SCHMITT 17SEP2013		
TOLERANCES UNLESS OTHERWISE SPECIFIED:		APVD M. SCHMITT 17SEP2013	NAME HEAT SINK ASSEMBLY 100 GIG PLUGGABLE	
0 PLC ± 1 PLC ±0.5 2 PLC ±0.25 3 PLC ±0.125 4 PLC ±0.0001 ANGLES ±1° FINISH		PRODUCT SPEC -	SIZE -	
MATERIAL material_2	finish_spec_2	APPLICATION SPEC -	CAGE CODE A200779	DRAWING NO C-2274283
CUSTOMER DRAWING		WEIGHT -	RESTRICTED TO -	SCALE 1.000 SHEET 3 OF 3 REV C