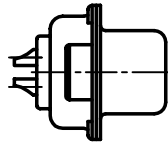
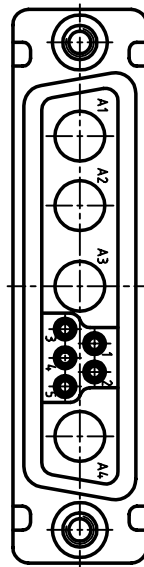
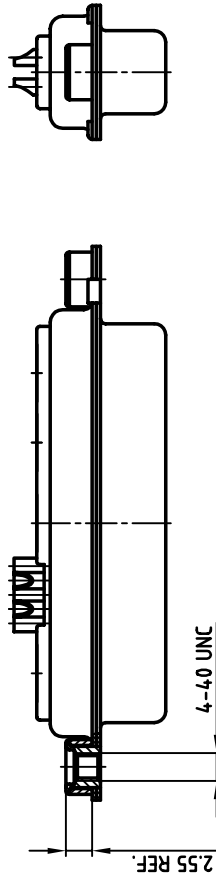
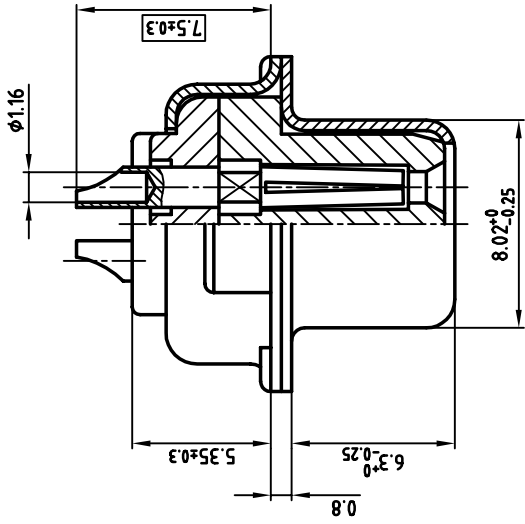
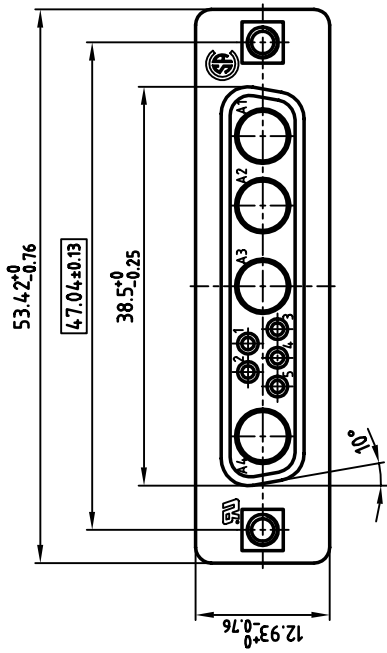


used for: D-SUB COMBINATION



NOTES:

1. METALSHELLS: STEEL; min. 320µ" TIN
2. INSULATORS: PBT GF UL 94 V-0, GREEN
3. SIGNAL CONTACTS: COPPER ALLOY
4. PLATING: min. 30µ" HARD GOLD OVER min. 50µ" NICKEL
5. THREADED INSERT: COPPER ALLOY; min. 200µ" TIN over 80µ" NICKEL
6. MAXIMUM TORQUE VALUE FOR THREAD: 6" LBS
7. = CRITICAL DIMENSION: SPC

Directive 2002/95/EC
 "RoHS"
 Compliant

THIS DRAWING MAY NOT BE COPIED OR REPRODUCED IN ANY WAY, AND MAY NOT BE PASSED ON TO A THIRD PARTY WITHOUT WRITTEN PERMISSION.
 OWNERSHIP AND COPYRIGHT OF CONEC GMBH DO NOT ALTER CAD DRAWING BY HAND

tolerance		scale: 2:1 (5:1)		material: SEE NOTES	
2001	date	name	date	name	date
drawn	25.08.	Pareil			
appd.	25.08.	E. Mickenbecker			
norm					
e-old					
title: D-SUB COMBINATION FEMALE 9W4S SOLDER CUP with threaded insert			dwg no: 13K1A263A DIN-A 3 sh: 1/1		
CONEC®			part no: 3009W4SCM99A30X		