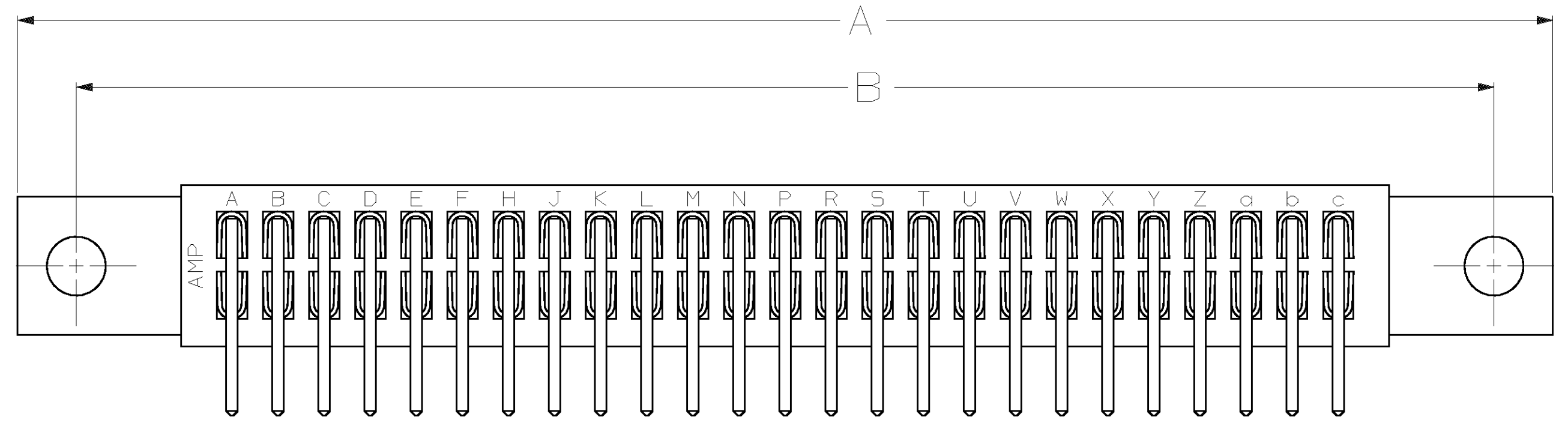
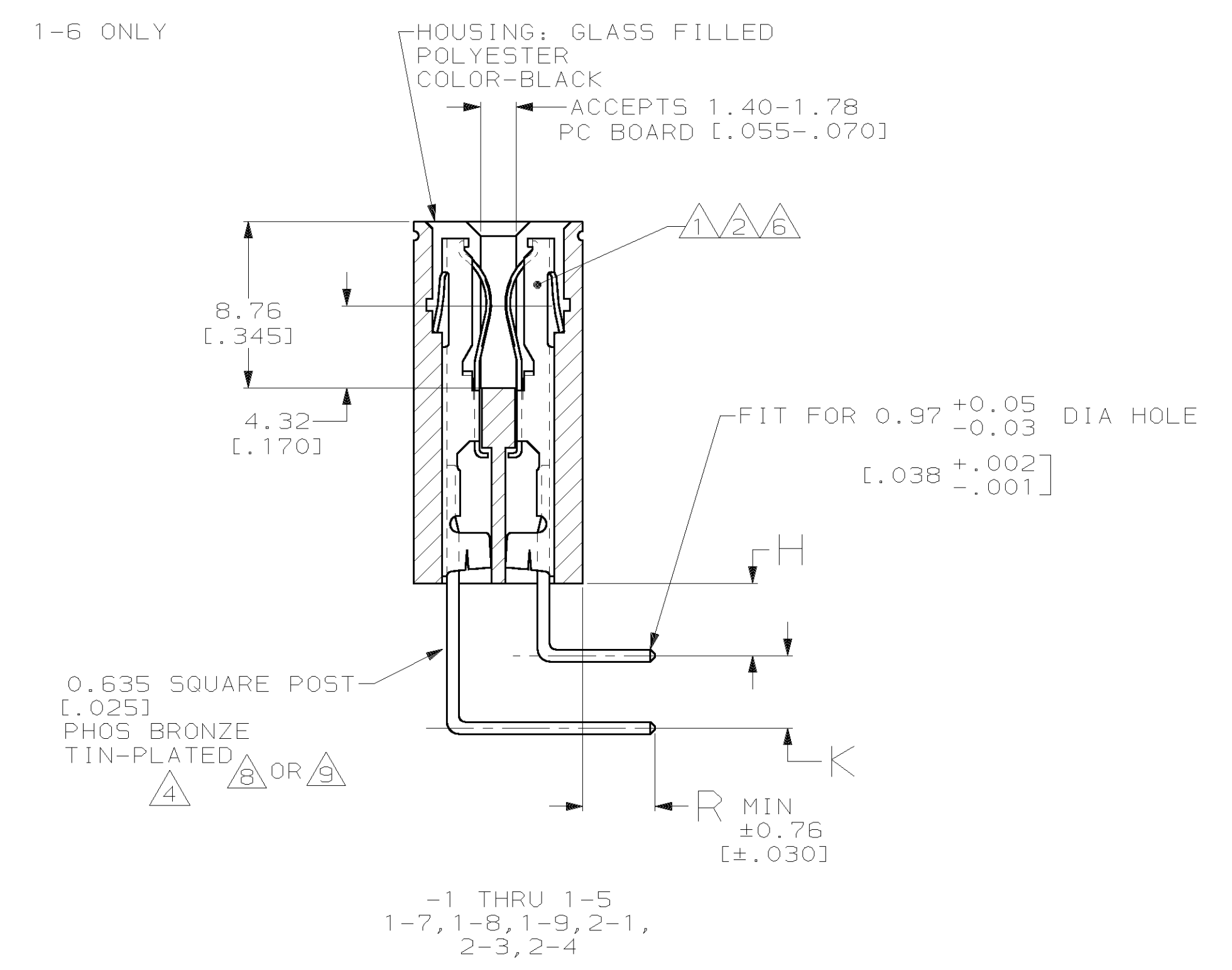
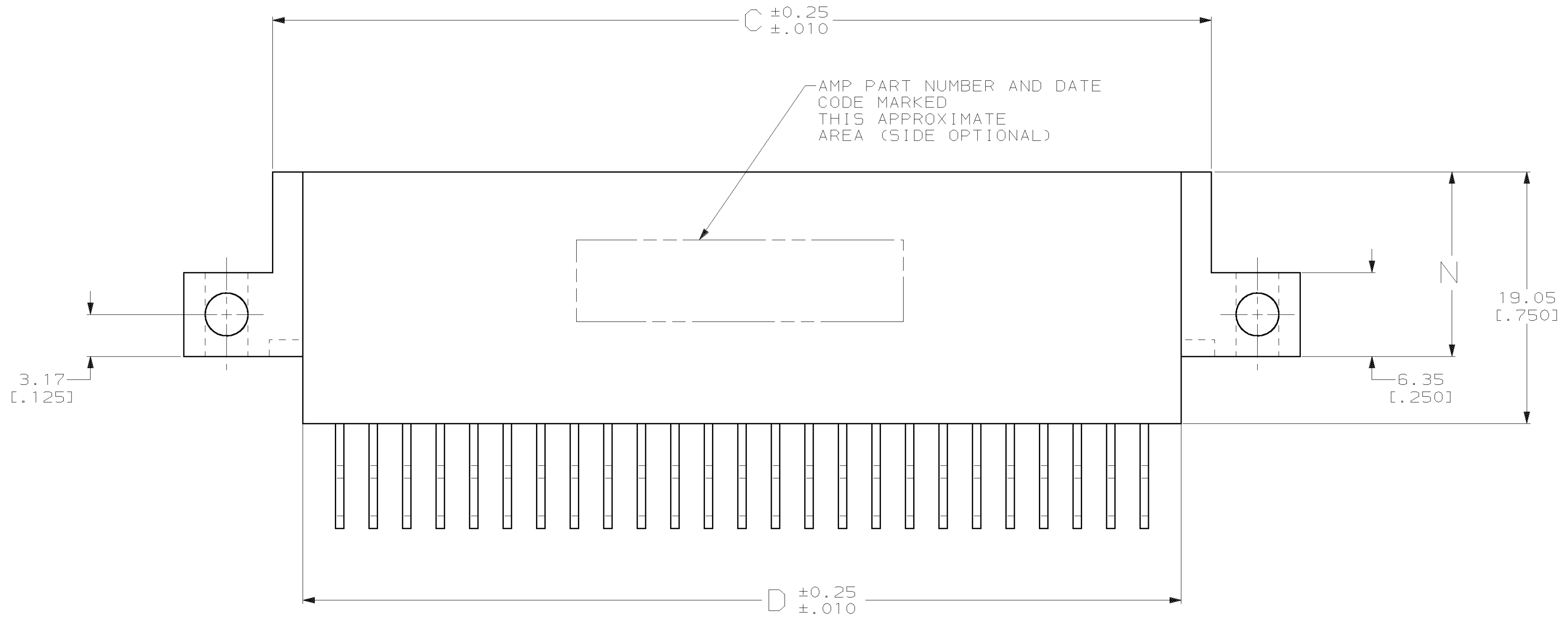
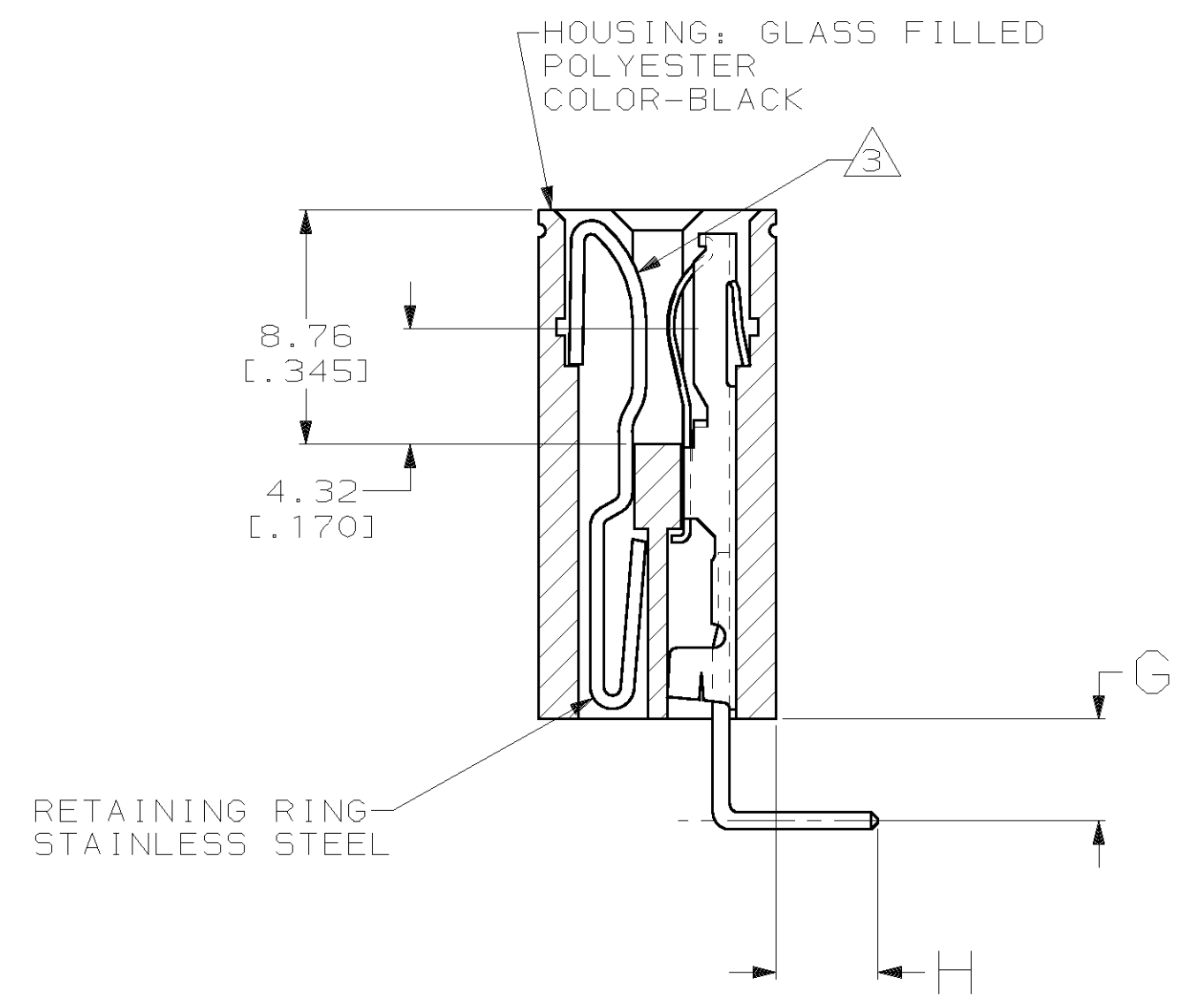
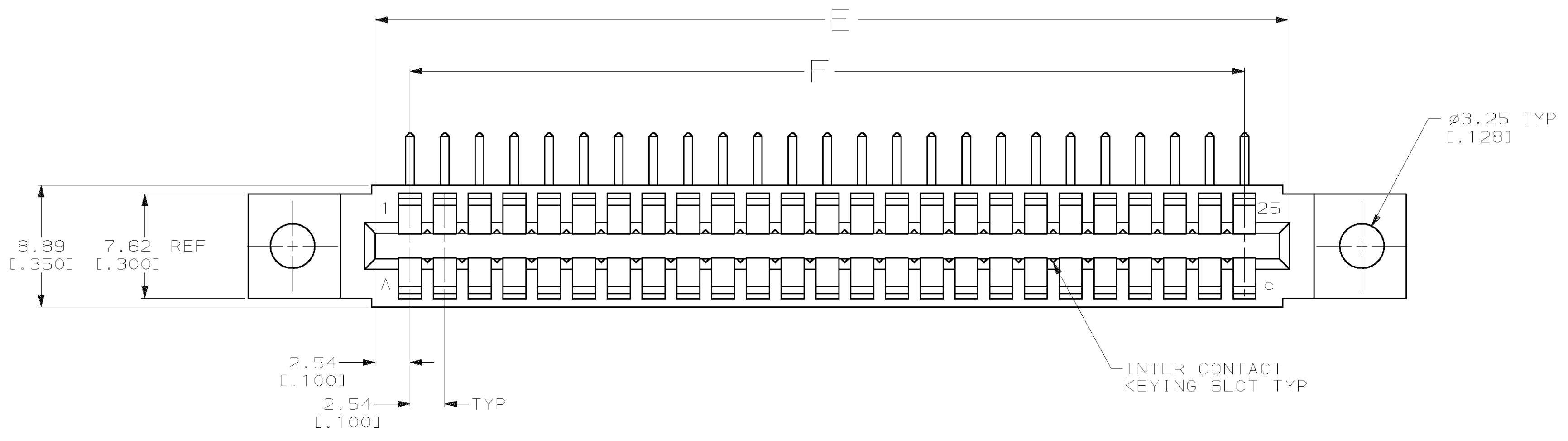


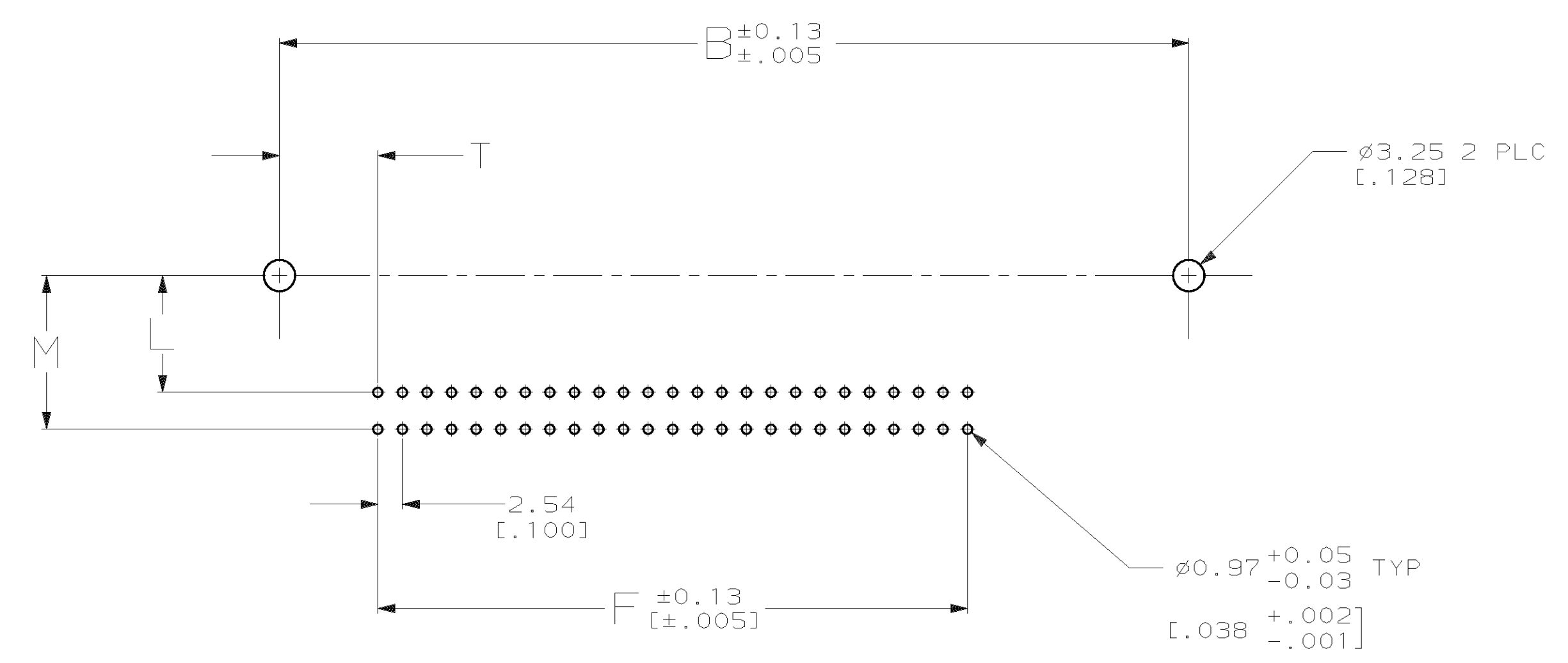
LOC		DIST		P		ZONE		LTR		REVISIONS		DATE	APPD
AD	00									AM	REV PER 063C-0515-04	07JAN05	JR/MM



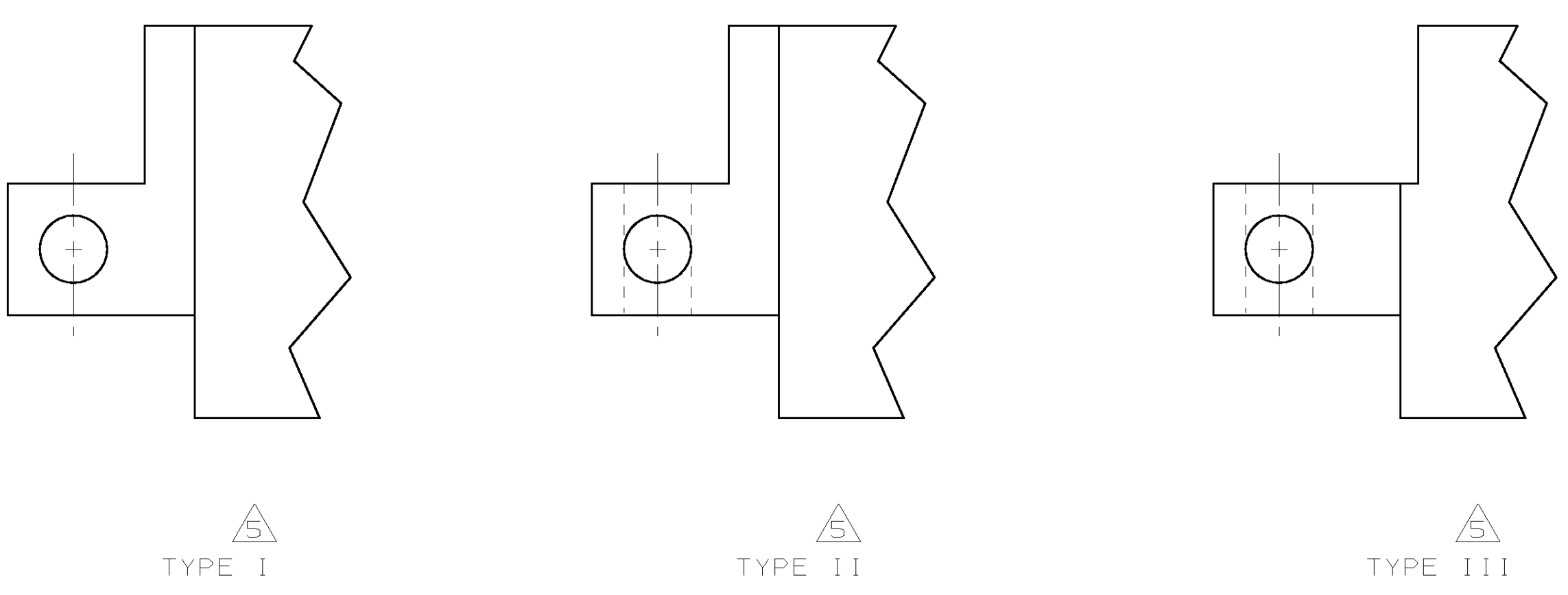
THIS DRAWING IS A CONTROLLED DOCUMENT FOR AMP INCORPORATED. IT IS SUBJECT TO CHANGE AND THE CONTROLLING ENGINEERING ORGANIZATION SHOULD BE CONTACTED FOR THE LATEST REVISION.

DO NOT SCALE PRINT. UNLESS SPECIFIED DIMENSIONS IN mm [INCHES]		DR 8-11-93 A. STAUB B6		PART NO	
TOLERANCES ON:	2 PLC DEC ±	CHK 3/23/94 H ROSE		AMP AMP Incorporated Harrisburg, PA 17105-3508	
3 PLC DEC ± .010	ANGLES ±	APPD 3/23/94 H ROSE			
MATERIAL	SEE CALLOUT	APPD 3/23/94 M THUMMA		NAME	
FINISH	SEE CALLOUT	APPLICATION SPEC		CONNECTOR ASSEMBLY, TWIN LEAF RIGHT ANGLE, CRIMP SNAP, .100 CENTERS	
WEIGHT				SIZE	D 00779
				CAGE CODE	C-583900
				DRAWING NO	
				SCALE	4:1
				SHEET	1 OF 2

LOC	DIST	P	F	ZONE	LTR	REVISIONS	DATE	APPD
AD	00					SEE SHEET 1		



FOOT PRINT DETAIL
 SCALE 8:1



- ① CONTACT MATERIAL: PHOSPHORUS BRONZE. FINISH: .000015 SELECTIVE GOLD OVER NICKEL ON CONTACT AREA. REMAINDER NICKEL PLATED.
- ② FINISH: .000030 SELECTIVE GOLD OVER NICKEL ON CONTACT AREA. REMAINDER NICKEL PLATED.
- ③ RETAINING SPRING LOADED IN CAVITIES C, J & P
- ④ FOR 1-7 ONLY, CONTACTS ARE REVERSE REELED.
- ⑤ SEE FOOT PRINT DETAIL.
- ⑥ CONTACT FINISH: NICKEL UNDERPLATE ENTIRE CONTACT, .000050 SELECT GOLD PLATED IN CONTACT AREA WITH GRAPHITE PARTICLES IMPREGNATED.
- Ⓐ OBSOLETE.
- Ⓑ TIN-LEAD PLATED
- Ⓒ MATTE TIN PLATED

CONTACT FINISH	MOUNTING EAR TYPE	NO OF POSITIONS	A	B	C	D	E	F	G	H	J	K	L	M	T	PART NUMBER
1/9	II	22	83.82 [3.300]	73.66 [2.900]	63.5 [2.500]	58.93 [2.320]	58.42 [2.300]	53.34 [2.100]	3.81 [1.500]	3.81 [1.500]	13.97 [1.550]	3.81 [1.500]	12.07 [1.475]	15.88 [1.625]	8.56 [1.337]	6-583900-3
1/9	II	28	92.20 [3.630]	85.73 [3.375]	78.74 [3.100]	74.17 [2.920]	73.66 [2.900]	68.58 [2.700]	3.81 [1.500]	3.81 [1.500]	13.97 [1.550]	3.81 [1.500]	12.07 [1.475]	15.88 [1.625]	8.56 [1.337]	5-583900-6
1/9	II	10	46.48 [1.830]	40.01 [1.575]	33.02 [1.300]	28.45 [1.120]	27.94 [1.100]	22.86 [1.900]	3.81 [1.500]	3.81 [1.500]	13.97 [1.550]	3.81 [1.500]	12.07 [1.475]	15.88 [1.625]	8.56 [1.337]	5-583900-5
1/9	II	30	104.14 [4.100]	93.98 [3.700]	83.82 [3.300]	79.25 [3.120]	78.74 [3.100]	73.66 [2.900]	3.81 [1.500]	3.81 [1.500]	13.97 [1.550]	3.81 [1.500]	-	-	10.16 [1.400]	5-583900-4
1/9	II	22	83.82 [3.300]	73.66 [2.900]	63.5 [2.500]	58.93 [2.320]	58.42 [2.300]	53.34 [2.100]	3.81 [1.500]	3.81 [1.500]	13.97 [1.550]	3.81 [1.500]	-	-	10.16 [1.400]	5-583900-2
1/9	I	25	91.44 [3.600]	132.08 [3.200]	71.12 [2.800]	66.55 [2.620]	66.04 [2.600]	60.96 [2.400]	3.81 [1.500]	3.81 [1.500]	13.97 [1.550]	3.81 [1.500]	12.07 [1.475]	15.88 [1.625]	10.16 [1.400]	5-583900-1
OBSOLETE	1/8	II	84.58 [3.330]	78.11 [3.075]	71.12 [2.800]	66.55 [2.620]	66.04 [2.600]	60.96 [2.400]	9.68 [1.381]	3.81 [1.500]	13.97 [1.550]	3.81 [1.500]	12.07 [1.475]	15.88 [1.625]	8.56 [1.337]	3-583900-6
OBSOLETE	1/8	I	66.04 [2.600]	55.88 [2.200]	45.72 [1.800]	41.15 [1.620]	40.64 [1.600]	35.56 [1.400]	15.80 [1.622]	1.27 [1.050]	13.97 [1.550]	3.81 [1.500]	12.07 [1.475]	13.34 [1.525]	-	2-583900-9
OBSOLETE	1/8	II	71.88 [2.830]	65.41 [2.575]	58.42 [2.300]	53.85 [2.120]	53.34 [2.100]	48.26 [1.900]	6.35 [1.250]	3.81 [1.500]	13.97 [1.550]	3.81 [1.500]	9.53 [1.375]	15.88 [1.625]	8.56 [1.337]	2-583900-8
OBSOLETE	1/8	I	91.44 [3.600]	81.28 [3.200]	71.12 [2.800]	66.55 [2.620]	66.04 [2.600]	60.96 [2.400]	5.46 [1.215]	3.81 [1.500]	13.97 [1.550]	3.81 [1.500]	12.07 [1.475]	15.88 [1.625]	-	2-583900-2
OBSOLETE	1/8	II	84.58 [3.330]	78.11 [3.075]	71.12 [2.800]	66.55 [2.620]	66.04 [2.600]	60.96 [2.400]	15.80 [1.622]	3.81 [1.500]	13.97 [1.550]	3.81 [1.500]	12.07 [1.475]	15.88 [1.625]	8.56 [1.337]	2-583900-6
OBSOLETE	1/8	II	73.66 [2.900]	63.5 [2.500]	53.34 [2.100]	48.77 [1.920]	48.26 [1.900]	43.18 [1.700]	3.81 [1.500]	3.81 [1.500]	13.97 [1.550]	3.81 [1.500]	12.07 [1.475]	13.34 [1.525]	-	2-583900-5
OBSOLETE	1/8	I	73.66 [2.900]	63.5 [2.500]	53.34 [2.100]	48.77 [1.920]	48.26 [1.900]	43.18 [1.700]	6.35 [1.250]	1.27 [1.050]	13.97 [1.550]	3.81 [1.500]	9.53 [1.375]	15.88 [1.625]	-	2-583900-4
OBSOLETE	1/8	II	112.52 [4.430]	106.05 [4.175]	99.06 [3.900]	94.49 [3.720]	93.98 [3.700]	88.9 [4.900]	15.80 [1.622]	3.81 [1.500]	13.97 [1.550]	3.81 [1.500]	12.07 [1.475]	15.88 [1.625]	-	2-583900-3
OBSOLETE	1/8	II	73.66 [2.900]	63.5 [2.500]	53.34 [2.100]	48.77 [1.920]	48.26 [1.900]	43.18 [1.700]	3.81 [1.500]	3.81 [1.500]	13.97 [1.550]	3.81 [1.500]	12.07 [1.475]	13.34 [1.525]	-	2-583900-2
OBSOLETE	1/8	II	148.08 [5.830]	141.61 [5.575]	134.62 [5.300]	130.05 [5.120]	129.54 [5.100]	124.46 [4.900]	12.7 [1.500]	1.27 [1.050]	13.97 [1.550]	3.81 [1.500]	9.53 [1.375]	15.88 [1.625]	8.56 [1.337]	2-583900-1
OBSOLETE	1/8	II	104.14 [4.100]	93.98 [3.700]	83.82 [3.300]	79.25 [3.120]	78.74 [3.100]	73.66 [2.900]	3.81 [1.500]	3.81 [1.500]	13.97 [1.550]	3.81 [1.500]	12.07 [1.475]	13.34 [1.525]	-	2-583900-0
OBSOLETE	1/8	II	129.54 [5.100]	119.38 [4.700]	109.22 [4.300]	104.65 [4.120]	104.14 [4.100]	99.06 [3.900]	6.35 [1.250]	1.27 [1.050]	13.97 [1.550]	3.81 [1.500]	9.53 [1.375]	15.88 [1.625]	10.16 [1.400]	1-583900-9
OBSOLETE	1/8	III	99.06 [3.900]	88.9 [3.500]	73.66 [2.900]	74.17 [2.920]	-	68.58 [2.700]	3.81 [1.500]	3.81 [1.500]	13.97 [1.550]	3.81 [1.500]	12.07 [1.475]	15.88 [1.625]	-	1-583900-8
OBSOLETE	1/8	II	64.26 [2.530]	57.79 [2.275]	50.8 [2.000]	46.23 [1.820]	45.72 [1.800]	40.64 [1.600]	3.81 [1.500]	3.81 [1.500]	13.97 [1.550]	3.81 [1.500]	12.07 [1.475]	15.88 [1.625]	-	1-583900-2
OBSOLETE	1/8	II	66.04 [2.600]	55.88 [2.200]	45.72 [1.800]	41.15 [1.620]	40.64 [1.600]	35.56 [1.400]	3.81 [1.500]	3.81 [1.500]	13.97 [1.550]	-	12.07 [1.475]	15.88 [1.625]	-	1-583900-6
OBSOLETE	1/8	II	66.04 [2.600]	55.88 [2.200]	45.72 [1.800]	41.15 [1.620]	40.64 [1.600]	35.56 [1.400]	3.81 [1.500]	3.81 [1.500]	13.97 [1.550]	3.81 [1.500]	12.07 [1.475]	15.88 [1.625]	-	1-583900-5
OBSOLETE	1/8	I	154.94 [6.100]	141.61 [5.575]	134.62 [5.300]	130.05 [5.120]	129.54 [5.100]	124.46 [4.900]	11.68 [1.460]	3.81 [1.500]	13.97 [1.550]	5.08 [1.200]	12.07 [1.475]	17.15 [1.675]	-	1-583900-4
1/8	II	22	83.82 [3.300]	73.66 [2.900]	63.5 [2.500]	58.93 [2.320]	58.42 [2.300]	53.34 [2.100]	3.81 [1.500]	3.81 [1.500]	13.97 [1.550]	3.81 [1.500]	12.07 [1.475]	15.88 [1.625]	8.56 [1.337]	1-583900-3
OBSOLETE	1/8	II	112.52 [4.430]	106.05 [4.175]	99.06 [3.900]	94.49 [3.720]	93.98 [3.700]	88.9 [4.900]	3.81 [1.500]	3.81 [1.500]	13.97 [1.550]	3.81 [1.500]	-	-	8.56 [1.337]	1-583900-2
OBSOLETE	1/8	I	66.04 [2.600]	55.88 [2.200]	45.72 [1.800]	41.15 [1.620]	40.64 [1.600]	35.56 [1.400]	3.81 [1.500]	3.81 [1.500]	13.97 [1.550]	3.81 [1.500]	12.07 [1.475]	15.88 [1.625]	10.16 [1.400]	1-583900-1
OBSOLETE	1/8	II	64.26 [2.530]	57.79 [2.275]	50.8 [2.000]	46.23 [1.820]	45.72 [1.800]	40.64 [1.600]	3.81 [1.500]	3.81 [1.500]	13.97 [1.550]	3.81 [1.500]	12.07 [1.475]	15.88 [1.625]	-	1-583900-0
OBSOLETE	1/8	II	129.54 [5.100]	119.38 [4.700]	109.22 [4.300]	104.65 [4.120]	104.14 [4.100]	99.06 [3.900]	4.98 [1.981]	2.54 [1.000]	13.97 [1.550]	3.81 [1.500]	10.80 [1.425]	14.61 [1.575]	-	583900-9
OBSOLETE	1/8	II	71.12 [2.800]	60.96 [2.400]	50.8 [2.000]	46.23 [1.820]	45.72 [1.800]	40.64 [1.600]	3.81 [1.500]	3.81 [1.500]	13.97 [1.550]	3.81 [1.500]	-	-	-	583900-8
OBSOLETE	1/8	II	132.84 [5.230]	126.37 [4.975]	119.38 [4.700]	114.81 [4.520]	114.3 [4.500]	109.22 [4.300]	4.98 [1.981]	2.54 [1.000]	11.56 [1.455]	3.81 [1.500]	13.21 [1.520]	17.02 [1.670]	-	583900-7
1/8	II	28	92.20 [3.630]	85.73 [3.375]	78.74 [3.100]	74.17 [2.920]	73.66 [2.900]	68.58 [2.700]	3.81 [1.500]	3.81 [1.500]	13.97 [1.550]	3.81 [1.500]	12.07 [1.475]	15.88 [1.625]	8.56 [1.337]	583900-6
1/8	II	10	46.48 [1.830]	40.01 [1.575]	33.02 [1.300]	28.45 [1.120]	27.94 [1.100]	22.86 [1.900]	3.81 [1.500]	3.81 [1.500]	13.97 [1.550]	3.81 [1.500]	12.07 [1.475]	15.88 [1.625]	8.56 [1.337]	583900-5
1/8	II	30	104.14 [4.100]	93.98 [3.700]	83.82 [3.300]	79.25 [3.120]	78.74 [3.100]	73.66 [2.900]	3.81 [1.500]	3.81 [1.500]	13.97 [1.550]	3.81 [1.500]	-	-	10.16 [1.400]	583900-4
OBSOLETE	1/8	I	154.94 [6.100]	141.61 [5.575]	134.62 [5.300]	130.05 [5.120]	129.54 [5.100]	124.46 [4.900]	6.35 [1.250]	1.27 [1.050]	13.97 [1.550]	3.81 [1.500]	9.525 [1.375]	13.34 [1.525]	8.56 [1.337]	583900-3
1/8	II	22	83.82 [3.300]	73.66 [2.900]	63.5 [2.500]	58.93 [2.320]	58.42 [2.300]	53.34 [2.100]	3.81 [1.500]	3.81 [1.500]	13.97 [1.550]	3.81 [1.500]	-	-	10.16 [1.400]	583900-2
1/8	I	25	91.44 [3.600]	132.08 [3.200]	71.12 [2.800]	66.55 [2.620]	66.04 [2.600]	60.96 [2.400]	3.81 [1.500]	3.81 [1.500]	13.97 [1.550]	3.81 [1.500]	12.07 [1.475]	15.88 [1.625]	10.16 [1.400]	583900-1

DO NOT SCALE PRINT. UNLESS SPECIFIED DIMENSIONS IN mm [INCHES] TOLERANCES ON: 2 PLC DEC ± .010 ANGLES ± -		DR 8-11-93 A. STAUB B6		AMP Incorporated Harrisburg, PA 17105-3608	
CHK 3/23/94 H ROSE		APPD 3/23/94 H ROSE		NAME	
MATERIAL		APPD 3/23/94 M THUMMA		CONNECTOR ASSEMBLY, TWIN LEAF RIGHT ANGLE, CRIMP SNAP, .100 CENTERS	
SEE CALLOUT		PRODUCT SPEC		SIZE	
FINISH		APPLICATION SPEC		CAGE CODE	
SEE CALLOUT		-		D 00779	
WEIGHT		-		DRAWING NO	
-		-		C-583900	
-		-		SCALE	
-		-		4:1	
-		-		SHEET	
-		-		2 OF 2	

THIS DRAWING IS A CONTROLLED DOCUMENT FOR AMP INCORPORATED. IT IS SUBJECT TO CHANGE AND THE CONTROLLING ENGINEERING ORGANIZATION SHOULD BE CONTACTED FOR THE LATEST REVISION.