

THIS DRAWING IS UNPUBLISHED.

RELEASED FOR PUBLICATION

ALL RIGHTS RESERVED.

© COPYRIGHT - By -

LOC AF DIST 50

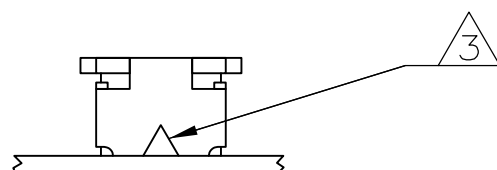
REVISIONS

P	LTR	DESCRIPTION	DATE	DWN	APVD
E1		REVISED PER ECR-12-014791	17SEP12	KH	KR

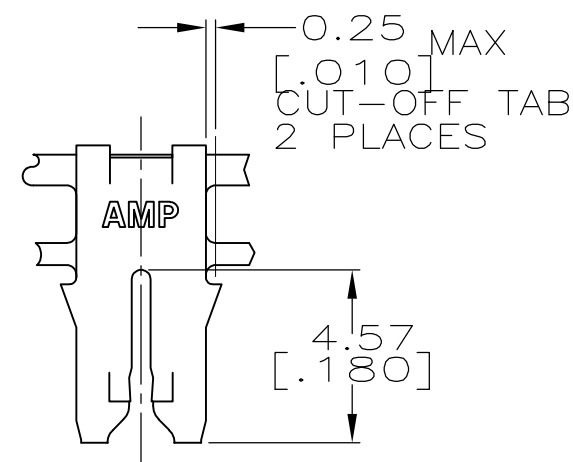
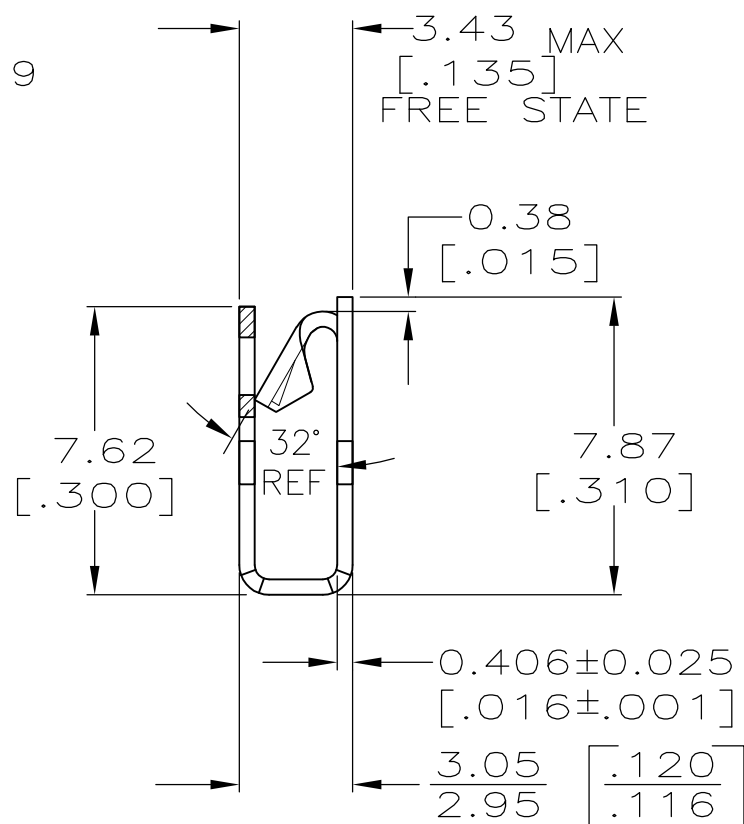
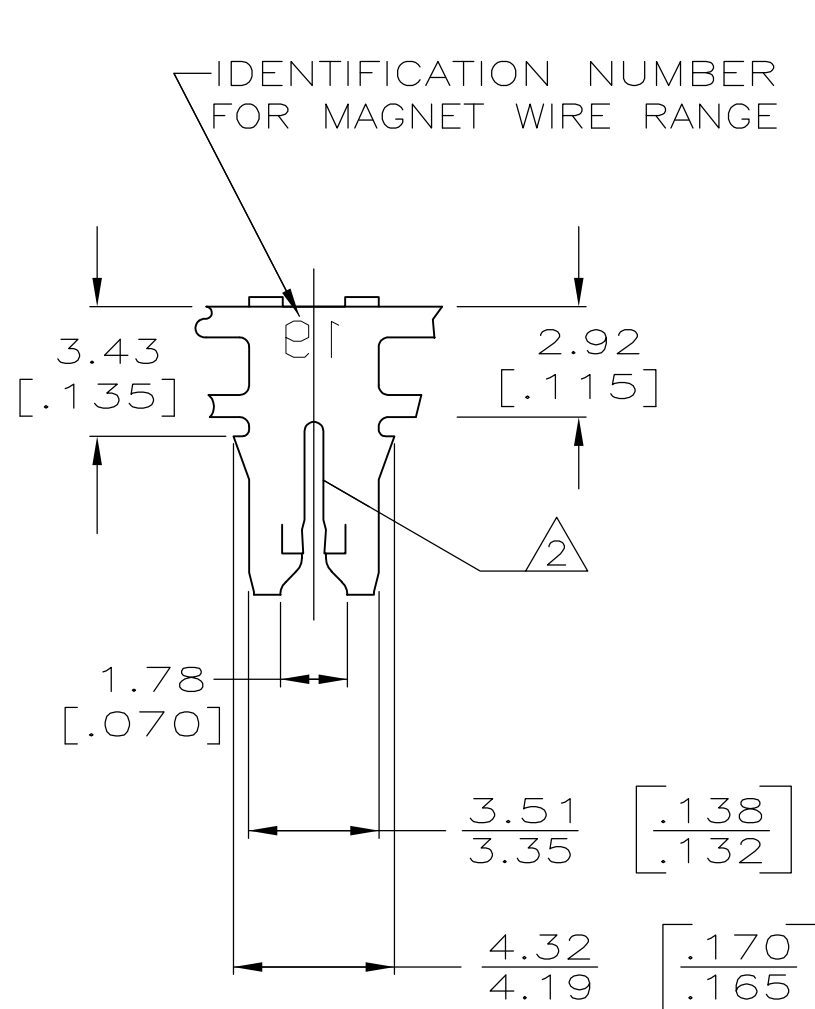
1 CONTINUOUS STRIP ON REELS WITH TERMINALS LOCATED ON 5.59 [.220] CENTERS.

2 SLOT ACCEPTS 0.81mm [#20] AWG COPPER MAGNET WIRE.

3 POKE-IN ACCEPTS A 0.81-1.02mm²[#20-#18] AWG SOLID OR FUSED STRANDED LEAD WIRE.



IDENTIFICATION NUMBER 19 FOR MAGNET WIRE RANGE



63591-1

PART NUMBER

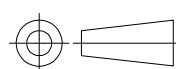
THIS DRAWING IS A CONTROLLED DOCUMENT.

DWN 8/14/90
MICHAEL S. FEHER
CHK 8/20/90
PHILLIP M. FORTNEY
APVD 8/20/90
NELSON E. NEFF

STE TE Connectivity

DIMENSIONS: mm [INCHES]

TOLERANCES UNLESS OTHERWISE SPECIFIED:



0 PLC	± -
1 PLC	± -
2 PLC	± 0.25 [.010]
3 PLC	± -
4 PLC	± -
ANGLES	± -

PRODUCT SPEC

APPLICATION SPEC 114-2046

NAME TERMINAL, POKE-IN, 300 SERIES MAG-MATE™

MATERIAL #4M HARD BRASS

FINISH 0.002032[.000080] MIN TIN

WEIGHT -

SIZE A3 CAGE CODE 00779 DRAWING NO C-63591

RESTRICTED TO -

CUSTOMER DRAWING

SCALE 5:1

SHEET 1 OF 1

REV E1