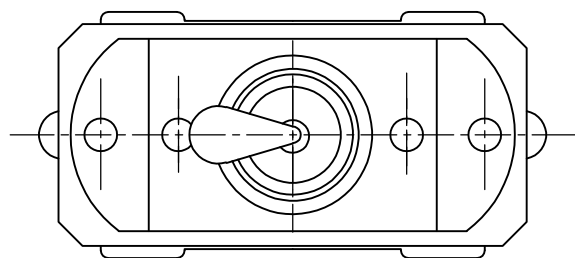
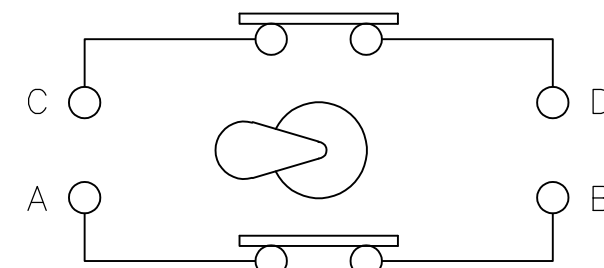


THIS DRAWING IS UNPUBLISHED. RELEASED FOR PUBLICATION
 © COPYRIGHT BY TYCO ELECTRONICS CORPORATION. ALL RIGHTS RESERVED.

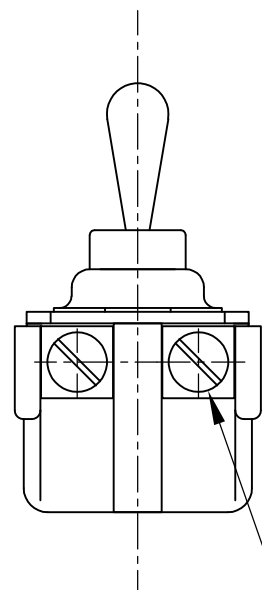
| LOC | DIST | REVISIONS | | | |
|-----|------|-------------|---------------|-----------|-------|
| P | LTR | DESCRIPTION | DATE | DWN | APVD |
| AD | 00 | 4 | ECO-07-014788 | 25JUN2007 | RB MM |



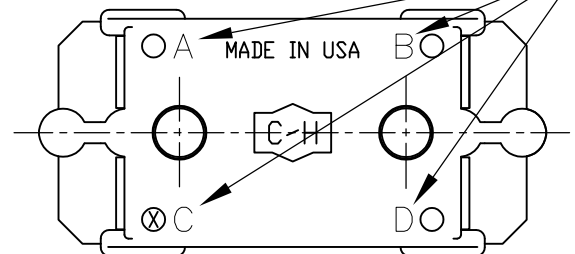
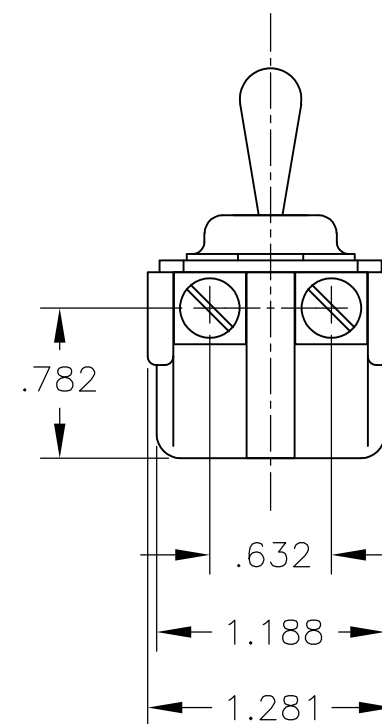
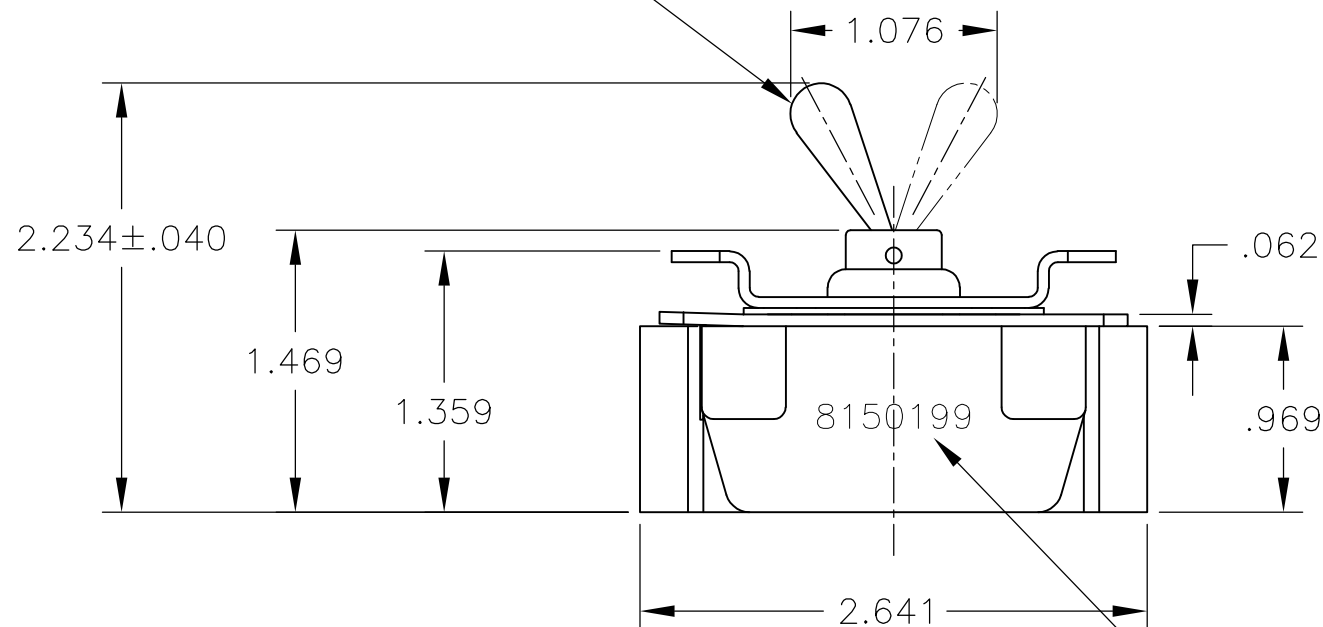
LEVER IS SHOWN
IN ON POSITION



SCHEMATIC



(4) 8-32
BINDING HEAD
SCREWS- SHIPPED
UNASSEMBLED



MARK "A", "B", "C", "D"
& CUSTOMER P/N
8150199 IN
APPROX LOCATIONS
SHOWN WITH SILVER
MARKING COMPOUND

1977063-1 AS SHOWN

| | | | | | |
|--|--|-------------------------------|---|--------------------|--------------------|
| THIS DRAWING IS A CONTROLLED DOCUMENT. | | DWN R BROWN 21MAR2007 | Tyco Electronics Corporation Harrisburg, PA 17105-3608 | | |
| DIMENSIONS: INCHES | | CHK M MILLER 21MAR2007 | | | |
| TOLERANCES UNLESS OTHERWISE SPECIFIED: | | APVD M MILLER 21MAR2007 | NAME DOUBLE POLE, 20A 250V, ONE HOLE MTD. TOOL HANDLE TOGGLE SWITCH | | |
| 0 PLC ± - 1 PLC ± - 2 PLC ± - 3 PLC ± .016 4 PLC ± - ANGLES ± - | | PRODUCT SPEC - | - | | |
| MATERIAL - | | FINISH - | APPLICATION SPEC - | SIZE A3 | CAGE CODE 00779 |
| CUSTOMER DRAWING | | | DRAWING NO C-1977063 | RESTRICTED TO - | |
| | | | WEIGHT - | SCALE 1:1 | SHEET 1 OF 1 |
| | | | | REV 4 | |