

**CQ-3202****High-Speed Response Coreless Current Sensor****1. General Description**

CQ-3202 is an open-type current sensor using a Hall sensor which outputs the analog voltage proportional to the AC/DC current. Quantum well ultra-thin film InAs (Indium Arsenide) is used as the Hall sensor, which enables the high-accuracy and high-speed current sensing. Coreless surface mount package realizes the space-saving.

**2. Features**

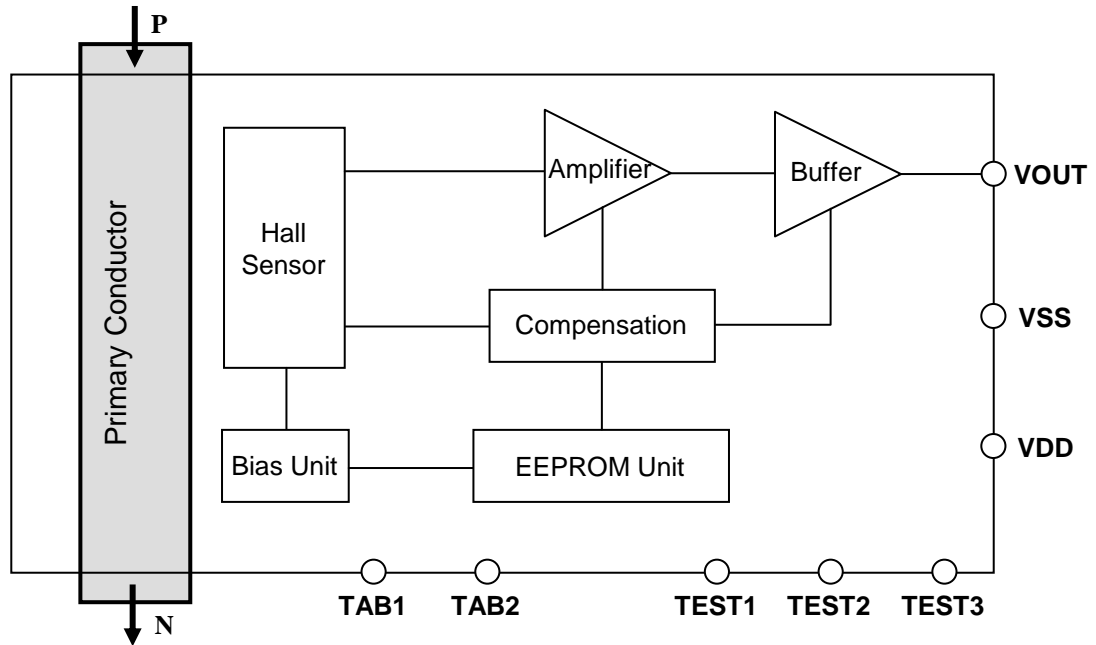
- Small-sized surface mount package: VSOP-24
- High isolation voltage: 3.0kV (50/60Hz, 60s)
- Compliant to safety standards of IEC/UL-60950 and UL-508
- Ultra-fast response time: 0.5 $\mu$ s (typ.)
- Low variation and low temperature drift of sensitivity and zero-current output voltage
- No output hysteresis
- Low noise output: 0.8mVrms (typ.)
- Bi-directional type
- 3.3V single power supply
- Ratiometric output
- Halogen free



<b>3. Table of Contents</b>
-----------------------------

1. General Description .....	1
2. Features.....	1
3. Table of Contents.....	2
4. Block Diagram and Functions.....	3
5. Pin Configurations and Functions .....	4
6. Safety Standards .....	5
7. Absolute Maximum Ratings .....	5
8. Recommended Operating Conditions .....	5
9. Electrical Characteristics .....	6
10. Characteristics Definitions.....	8
11. Recommended External Circuits.....	11
12. Package.....	13
13. Board Layout Sample .....	16
14. Reliability Tests .....	17
15. Precautions.....	18
IMPORTANT NOTICE .....	19

**4. Block Diagram and Functions**

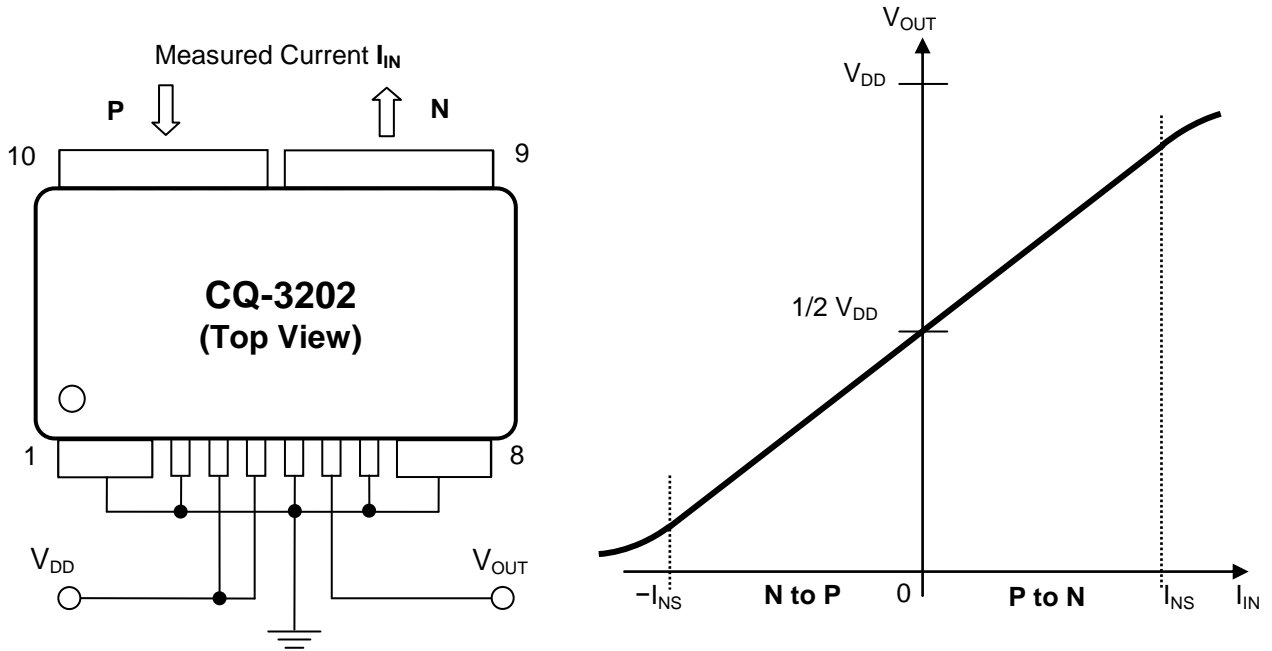


**Figure 1. Functional block diagram of CQ-3202.**

**Table 1. Explanation of circuit blocks.**

Circuit Block	Function
Primary Conductor	Conductor which measured current is applied.
Hall Sensor	Hall element which detects magnetic flux density generated from the measured current.
Amplifier	Amplifier of Hall element's output.
Buffer	Output buffer with gain. This block outputs the voltage ( $V_{OUT}$ ) proportional to the current applied to the primary conductor.
Compensation	Compensation circuit which adjusts the temperature drifts of sensitivity and zero-current output voltage.
Bias Unit	Drive circuit for Hall element.
EEPROM Unit	Non-volatile memory for setting adjustment parameters. The parameters are adjusted before the shipment.

**5. Pin Configurations and Functions**



**Figure 2. Pin assignment and typical output characteristics of CQ-3202.**

**Table 2. Pin configuration and functions of CQ-3202.**

No.	Pin Name	I/O	Function
1	TAB1	-	Radiation pin, recommended to connect to GND
2	TEST1	-	Test pin, recommended to connect to GND
3	VDD	PWR	Power supply pin, 3.3V
4	TEST2	-	Test pin, recommended to connect to VDD
5	VSS	GND	Ground pin (GND)
6	VOUT	O	Analog output pin
7	TEST3	-	Test pin, recommended to connect to GND
8	TAB2	-	Radiation pin, recommended to connect to GND
9	N	I	Primary conductor pin
10	P	I	Primary conductor pin

**6. Safety Standards**

- IEC/UL 60950-1 – Information Technology Equipment – Edition 2. (File No.E359197)
- CSA C22.2 NO. 60950-1-07 – Information Technology Equipment – Edition 2. (File No. E359197)
- UL 508 – Industrial Control Equipment – Edition 17. (File No. E353882)

**7. Absolute Maximum Ratings**

**Table 3. Absolute maximum ratings.**

Parameter	Symbol	Min.	Max.	Units	Notes
Supply Voltage	V <sub>DD</sub>	-0.3	6.5	V	VDD pin
Analog Output Current	I <sub>OUT</sub>	-1	1	mA	VOUT pin
Storage Temperature	T <sub>stg</sub>	-40	125	°C	

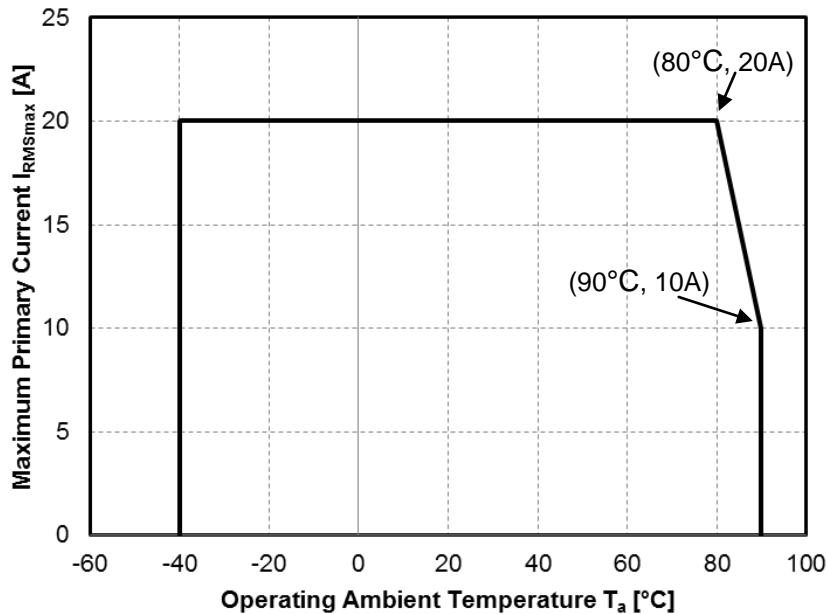
WARNING: Operation at or beyond these limits may result in permanent damage to the device. Normal operation is not guaranteed at these extremes.

**8. Recommended Operating Conditions**

**Table 4. Recommended operating conditions.**

Parameter	Symbol	Min.	Typ.	Max.	Units	Notes
Supply Voltage	V <sub>DD</sub>	2.7	3.3	3.63	V	
Analog Output Current	I <sub>OUT</sub>	-0.5		0.5	mA	VOUT pin
Output Load Capacitance	C <sub>L</sub>			100	pF	VOUT pin
Maximum Primary Current (RMS)	I <sub>RMSmax</sub>	-20		20	A	DC value or RMS value which can be applied to primary conductor see <a href="#">Figure 3</a>
Operating Ambient Temperature	T <sub>a</sub>	-40		90	°C	see <a href="#">Figure 3</a>

WARNING: Electrical characteristics are not guaranteed when operated at or beyond these conditions.



Conditions: Mounted on the test board shown in [Figure 12](#). V<sub>DD</sub> = 3.3V.

**Figure 3. Primary current derating curve of CQ-3202.**

Cooling or thermal radiation will improve the derating curve above.

<b>9. Electrical Characteristics</b>
--------------------------------------

**Table 5. Electrical characteristics.**Conditions (unless otherwise specified):  $T_a = 35^\circ\text{C}$ ,  $V_{DD} = 3.3\text{V}$ 

Parameter	Symbol	Conditions	Min.	Typ.	Max.	Units
Current Consumption	$I_{DD}$	No loads		6.2	9.6	mA
Sensitivity (Note 1, Note 2, Note 3)	$V_h$	See paragraph 10.1	61.8	62.5	63.2	mV/A
Zero-Current Output Voltage (Note 1, Note 2)	$V_{of}$	See paragraph 10.1	1.636	1.650	1.664	V
Linear Sensing Range	$I_{NS}$		-21.1		21.1	A
Output Saturation Voltage H	$V_{satH}$	$I_{OUT} = -0.5\text{mA}$	$V_{DD}$ -0.3			V
Output Saturation Voltage L	$V_{satL}$	$I_{OUT} = +0.5\text{mA}$			0.3	V
Linearity Error (Note 1, Note 2)	$\rho$	See paragraph 10.2	-0.6		0.6	%F.S.
Rise Response Time	$t_r$	$C_L = 100\text{pF}$ , see paragraph 10.5		0.5		$\mu\text{s}$
Fall Response Time	$t_f$	$C_L = 100\text{pF}$ , see paragraph 10.5		0.5		$\mu\text{s}$
Bandwidth	$f_T$	-3dB, $C_L = 100\text{pF}$		1000		kHz
Output Noise	$V_{Nrms}$	100Hz to 4MHz		0.8		mVrms
Temperature Drift of Sensitivity (Note 2)	$V_{h-dmax}$	$T_a = -40$ to $90^\circ\text{C}$ Reference temperature $T_a = 35^\circ\text{C}$		$\pm 0.7$		%
Temperature Drift of Zero-Current Output Voltage (Note 2)	$V_{of-dmax}$	$T_a = -40$ to $90^\circ\text{C}$ Reference temperature $T_a = 35^\circ\text{C}$		$\pm 7$		mV
Ratiometricity Error of Sensitivity (Note 2)	$V_{h-R}$	$V_{DD} = 2.97\text{V}$ to $3.63\text{V}$	-1.0		1.0	%
Ratiometricity Error of Zero-Current Output Voltage (Note 2)	$V_{of-R}$	$V_{DD} = 2.97\text{V}$ to $3.63\text{V}$ ,	-0.6		0.6	%F.S.
Primary Conductor Resistance (Note 4)	$R_1$			1.6		m $\Omega$
Total Accuracy (Note 5)	$E_{TO}$	$T_a = -40$ to $90^\circ\text{C}$		$\pm 1.2$		%F.S.
Isolation Voltage (Note 6)	$V_{INS}$	AC 50/60Hz, 60s	3.0			kV
Isolation Resistance (Note 4)	$R_{INS}$	DC 1kV	500			M $\Omega$
Clearance Distance (Note 4)	$d_{CL}$	between primary and secondary conductors	5.0	5.2		mm
Creepage Distance (Note 4)	$d_{CP}$	between primary and secondary conductors	5.0	5.2		mm

Note 1. These parameters can drift by long-term use or reflow process. Please see '14. Reliability Tests' for the reference of drift values.

Note 2. The primary current ( $I_{IN}$ ) is swept within  $\pm 10\text{A}$ . Current is applied within 35ms in each step.

Note 3. This parameter is tested on condition that current density is uniform. Sensitivity may change slightly depending on a primary conductor layout on PCB. Please see the application note provided in the AKM website.

Note 4. These parameters are guaranteed by design.

Note 5. Total accuracy  $E_{TO}$  is calculated by the equation below.

$$E_{TO} = |100 \times (V_{h\_meas} - 62.5) \times 21.1 / (F.S. \times 1000)| + |100 \times (V_{of\_meas} - V_{of\_meas\_35}) / F.S.| + |\rho_{meas}|$$

where  $V_{h\_meas}$ [mV/A],  $V_{of\_meas}$ [V],  $\rho_{meas}$ [%F.S.] represent the measured value of sensitivity, zero-current output voltage and linearity error respectively,  $V_h$ [mV/A] represent the typical value of sensitivity, and  $V_{of\_meas\_35}$ [V] represent the measured value of zero-current output voltage at  $T_a = 35^\circ\text{C}$ .  
 $F.S. = V_{satH}(\text{min}) - V_{satL}(\text{max})$ [V]

Note 6. This parameter is tested in mass-production line for all devices.

## 10. Characteristics Definitions

### 10.1. Sensitivity $V_h$ [mV/A], Zero-current output Voltage $V_{of}$ [V]

Sensitivity is defined as the slope of the approximate straight line calculated by the least square method, using the data of VOUT pin voltage ( $V_{OUT}$ ) when the primary current ( $I_{IN}$ ) is swept within  $\pm 10A$ .

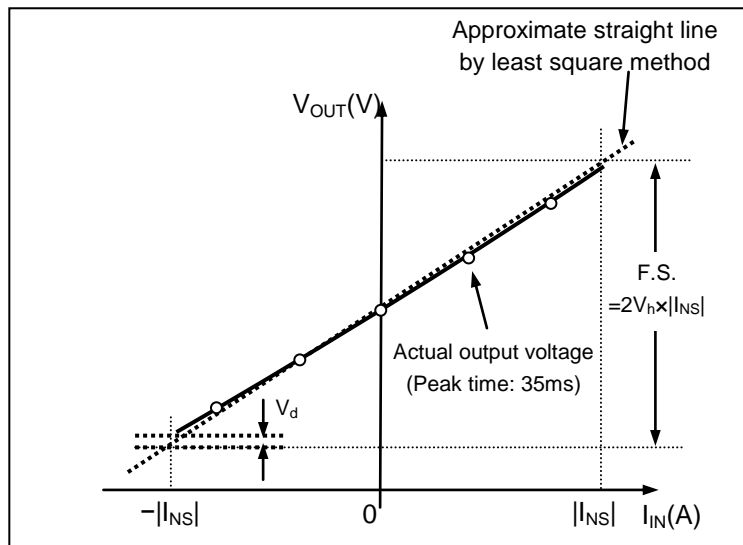
Zero-current output voltage is defined as the intercept of the approximate straight line above.

### 10.2. Linearity Error $\rho$ [%F.S.]

Linearity error is defined as the ratio of the maximum error voltage ( $V_d$ ) to the full scale (F.S.), where  $V_d$  is the maximum difference between the VOUT pin voltage ( $V_{OUT}$ ) and the approximate straight line calculated in the sensitivity and zero-current output voltage definition. The primary current ( $I_{IN}$ ) is swept within  $\pm 10A$ . Definition formula is shown in below:

$$\rho = V_d / \text{F.S.} \times 100$$

Full scale (F.S.) is defined as  $\text{F.S.} = V_{\text{satH}}(\text{min}) - V_{\text{satL}}(\text{max})$  [V].



**Figure 4. Output characteristics of CQ-3202.**

### 10.3. Ratiometric Error of Sensitivity $V_{h-R}$ [%] and Ratiometric Error of Zero-Current Output Voltage $V_{of-R}$ [%F.S.]

Output of CQ-3202 is ratiometric, which means the values of sensitivity ( $V_h$ ) and zero-current output voltage ( $V_{of}$ ) are proportional to the supply voltage ( $V_{DD}$ ). Ratiometric error is defined as the difference between the  $V_h$  (or  $V_{of}$ ) and ideal  $V_h$  (or  $V_{of}$ ) when the  $V_{DD}$  is changed from 3.3V to  $V_{DD1}$  ( $2.97V \leq V_{DD1} \leq 3.63V$ ). Definition formula is shown in below:

$$V_{h-R} = 100 \times \left\{ \frac{V_h(V_{DD} = V_{DD1})}{V_h(V_{DD} = 3.3V)} - \frac{V_{DD1}}{3.3} \right\} / \frac{V_{DD1}}{3.3}$$

$$V_{of-R} = 100 \times \frac{V_{of}(V_{DD} = V_{DD1}) - V_{of}(V_{DD} = 3.3V) \times V_{DD1} / 3.3}{\text{F.S.}}$$

Full scale (F.S.) is defined as  $\text{F.S.} = V_{\text{satH}}(\text{min}) - V_{\text{satL}}(\text{max})$ .



10.4. Temperature Drift of Sensitivity  $V_{h-d}$  [%] , Temperature Drift of Zero-current output Voltage  $V_{of-d}$  [mV]  
 Temperature drift of sensitivity is defined as the drift ratio of the sensitivity ( $V_h$ ) at  $T_a = T_{a1}$  ( $-40^{\circ}\text{C} \leq T_{a1} \leq 90^{\circ}\text{C}$ ) to the  $V_h$  at  $T_a = 35^{\circ}\text{C}$ , and calculated from the formula below:

$$V_{h-d} = 100 \times (V_h(T_a = T_{a1}) / V_h(T_a = 35^{\circ}\text{C}) - 1)$$

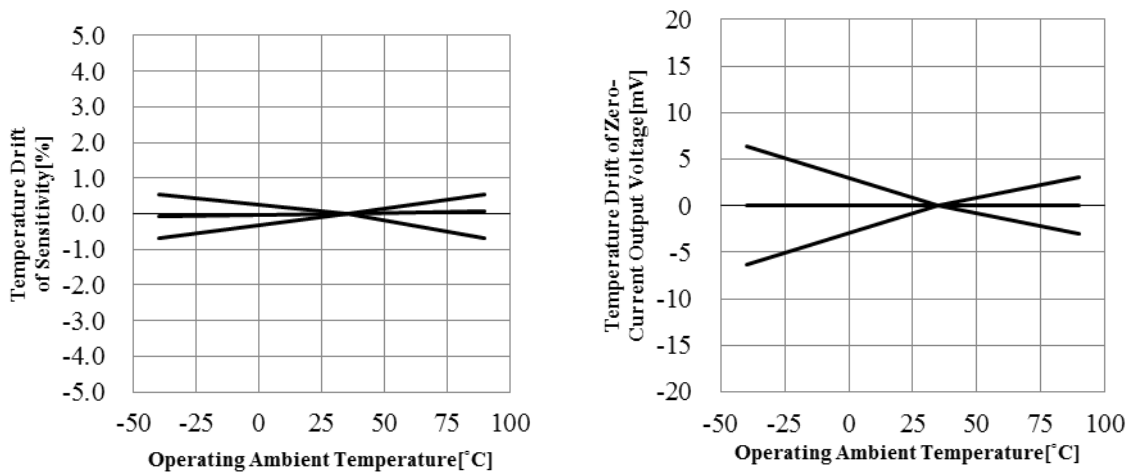
Maximum temperature drift of sensitivity ( $V_{h-dmax}$ ) is defined as the maximum value of  $|V_{h-d}|$  through the defined temperature range.

Temperature drift of zero-current output voltage is defined as the drift value between the zero-current output voltage ( $V_{of}$ ) at  $T_a = T_{a1}$  ( $-40^{\circ}\text{C} \leq T_{a1} \leq 90^{\circ}\text{C}$ ) and the  $V_{of}$  at  $T_a = 35^{\circ}\text{C}$ , and calculated from the formula below:

$$V_{of-d} = V_{of}(T_a = T_{a1}) - V_{of}(T_a = 35^{\circ}\text{C})$$

Maximum temperature drift of zero-current output voltage ( $V_{of-dmax}$ ) is defined as the maximum value of  $|V_{of-d}|$  through the defined temperature range.

Reference data of the temperature drift of sensitivity and zero-current output voltage are shown in [Figure 5](#).



**Figure 5. Temperature drift of sensitivity and zero-current output voltage.**

10.5. Rise Response Time  $t_r$  [ $\mu\text{s}$ ] and Fall Response Time  $t_f$  [ $\mu\text{s}$ ]

Rise response time (or fall response time) is defined as the time delay from the 90% (or 10%) of input primary current ( $I_{IN}$ ) to the 90% (or 10%) of the VOUT pin voltage ( $V_{OUT}$ ) under the pulse input of primary current (Figure 6).

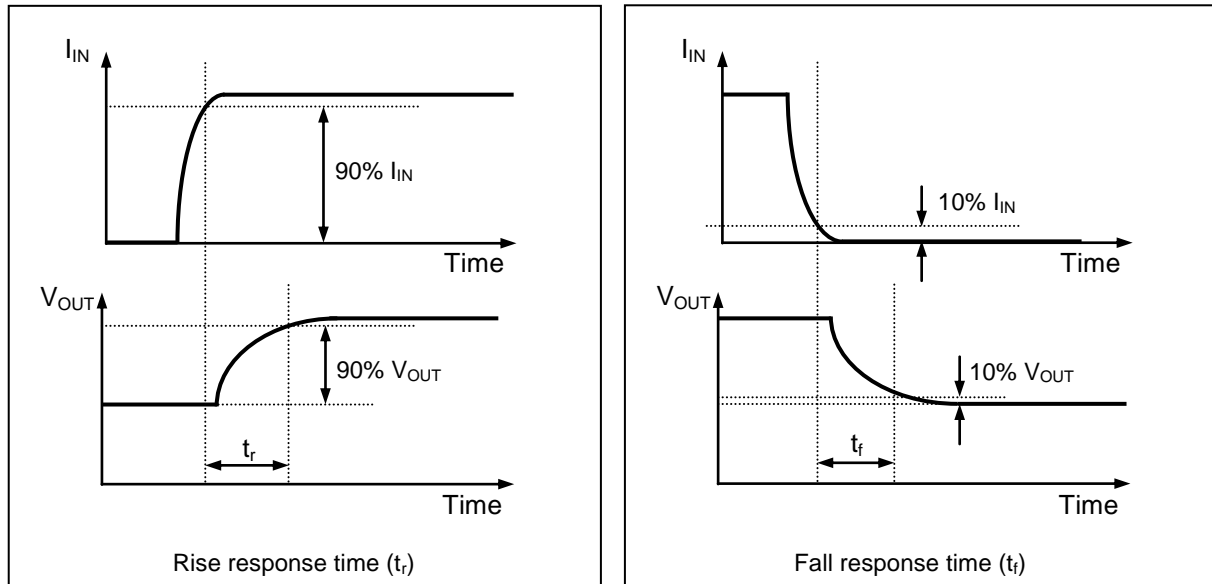
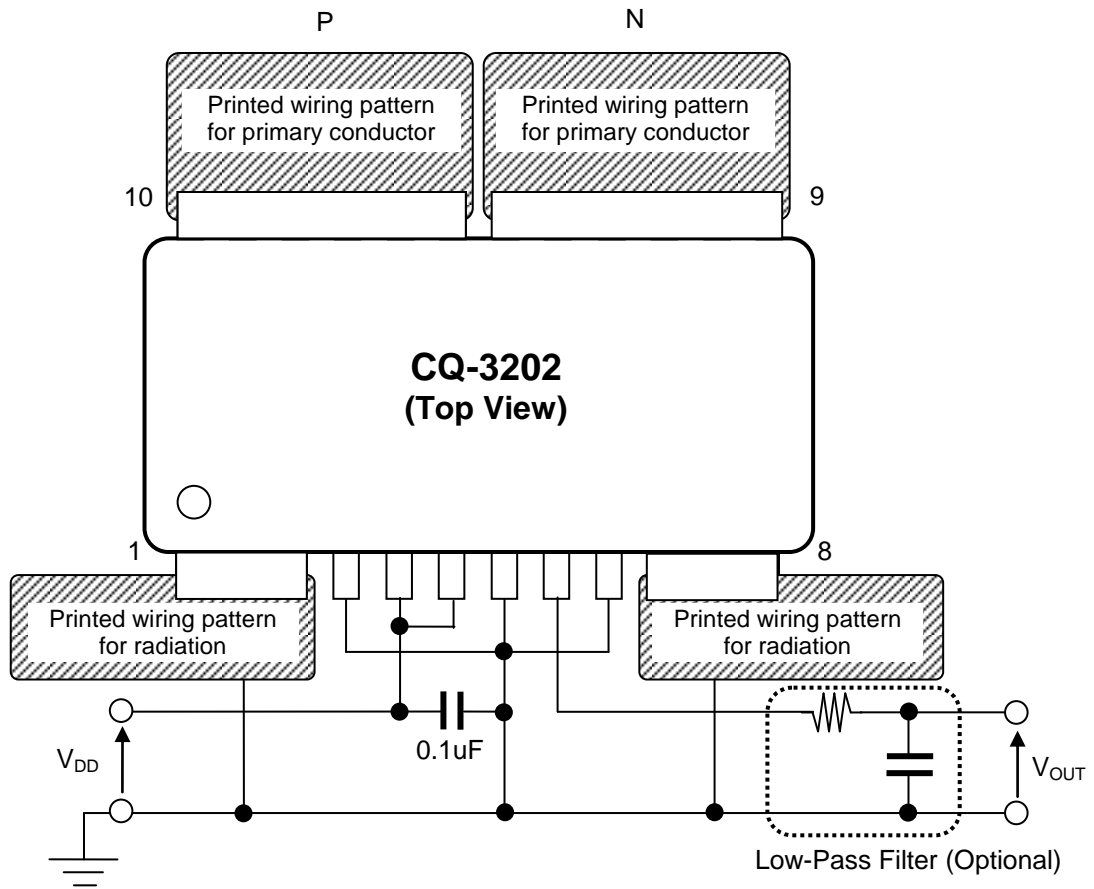


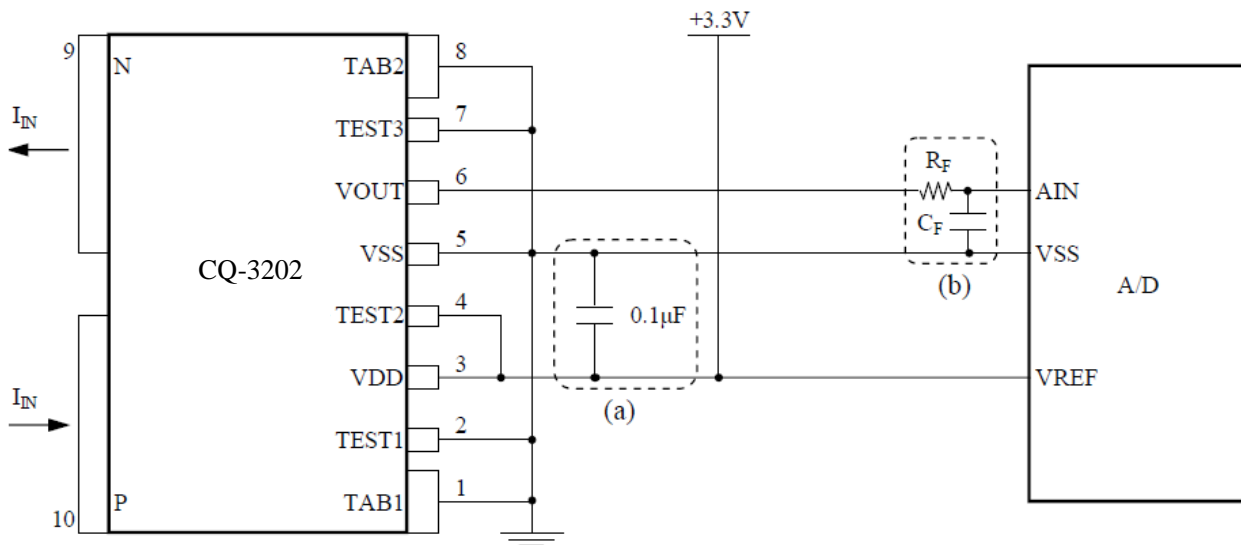
Figure 6. Definition of response time.

**11. Recommended External Circuits**



**Figure 7. Recommended external circuits.**

Radiation pattern should be designed as wide as possible, so that the clearance and creepage distances satisfy the requirement.

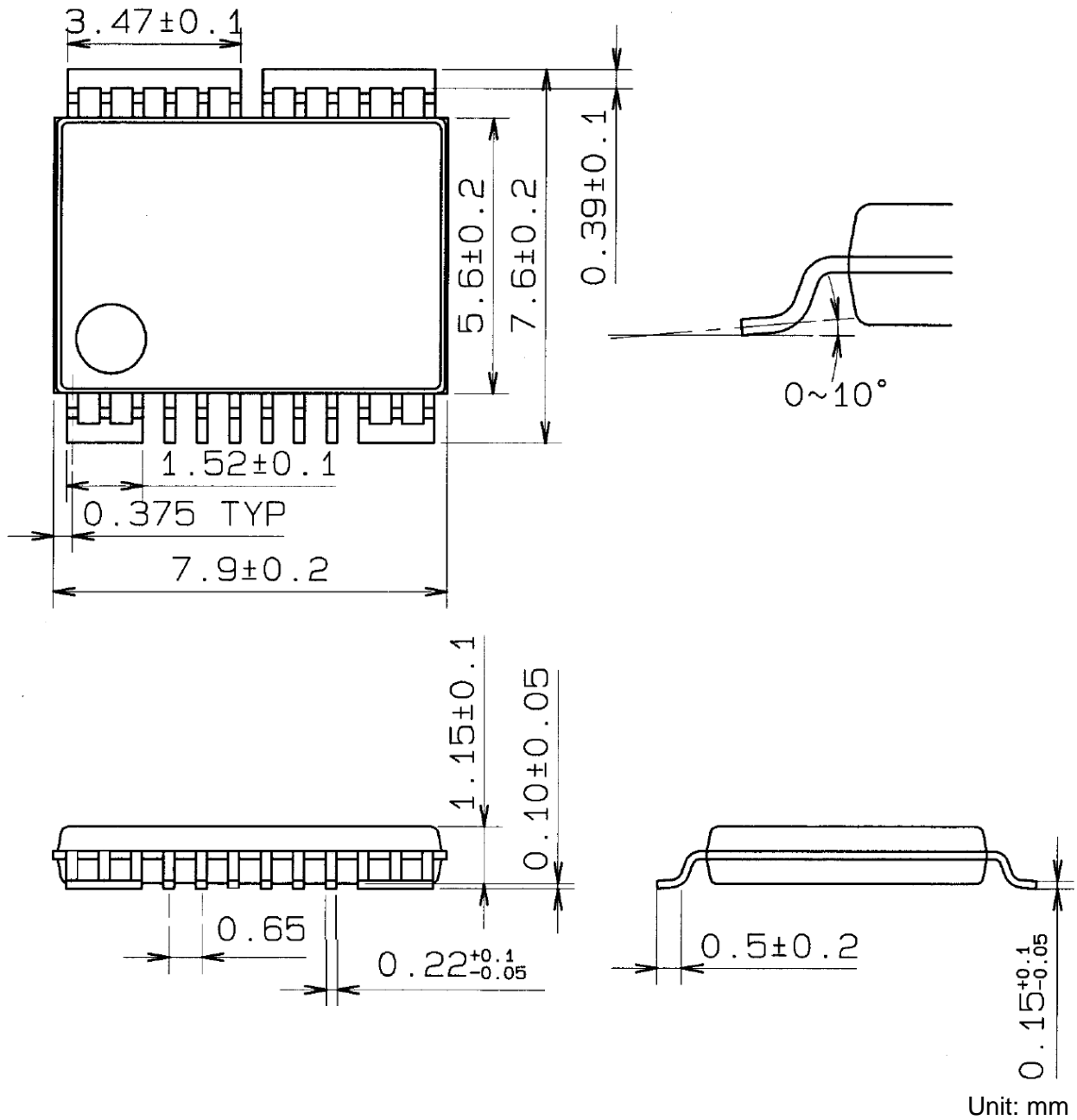


**Figure 8. Recommended external circuits of CQ-3202.**

- (a) 0.1µF bypass capacitor should be placed near by the CQ-3202.
- (b) Add a low-pass filter if it is necessary.

**12. Package**

12.1. Outline Dimensions

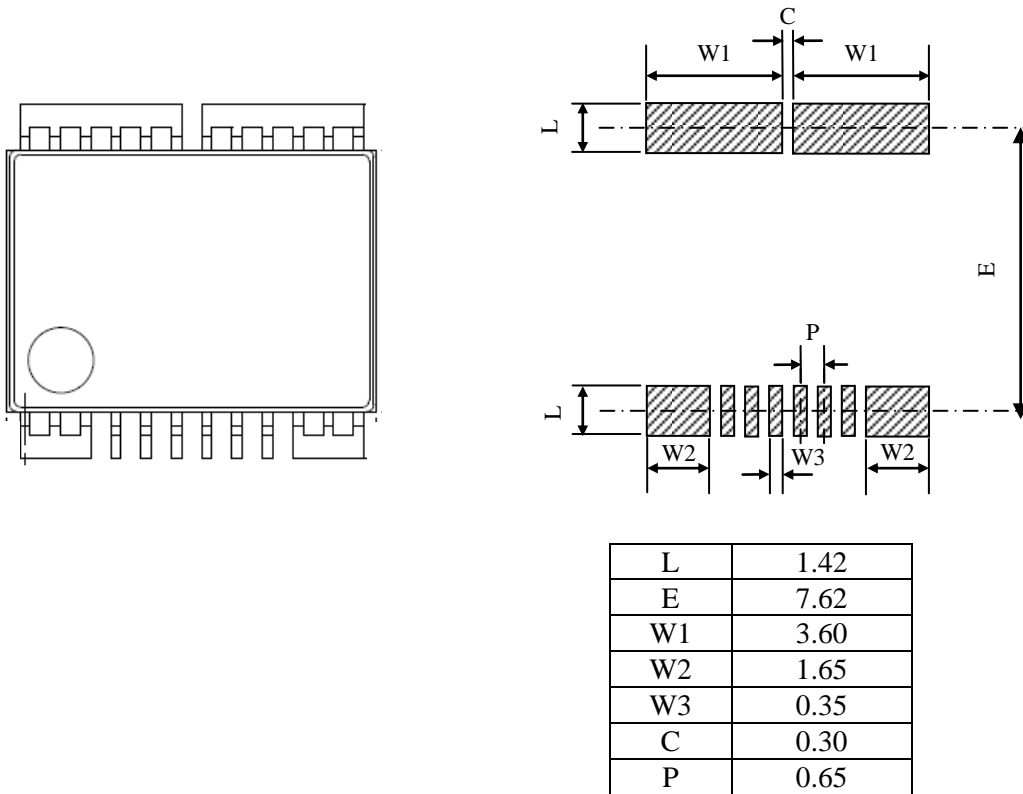


The tolerances of dimensions without any mention are  $\pm 0.1$ mm.

Terminals: Cu  
 Plating for Terminals: Sn-100% (10 $\mu$ m)  
 RoHS compliant, halogen-free

**Figure 9. Outline dimensions of CQ-3202.**

12.2. Recommended Pad Dimensions



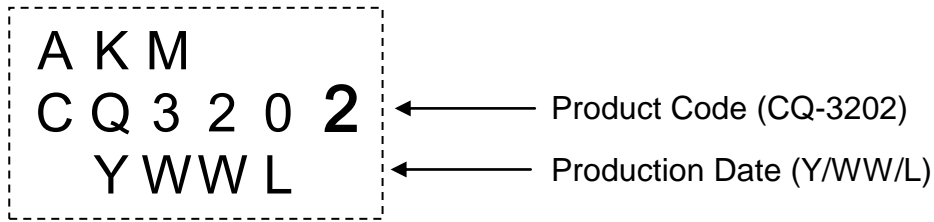
Unit: mm

Figure 10. Pad dimensions of CQ-3202.

If two or more trace layers are used as the current paths, please make enough number of through-holes to flow current between the trace layers.

12.3. Marking

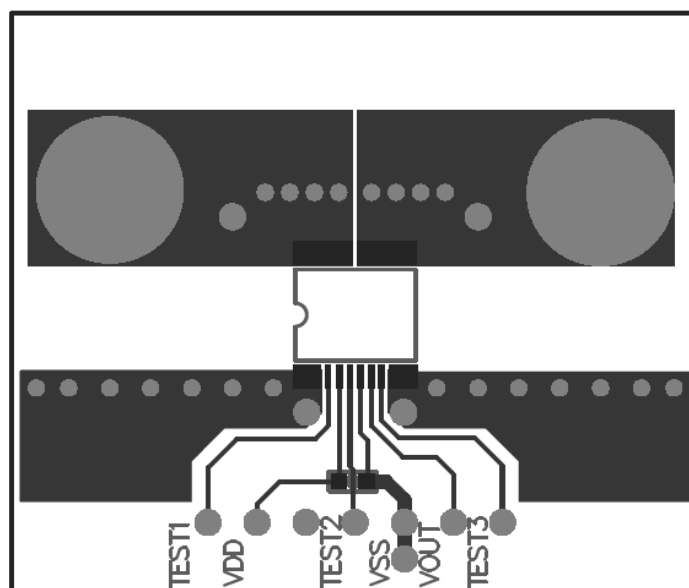
Production information is printed on the package surface by laser marking. Markings consist of 10 characters excluding AKM logo. Except AKM logo, the markings consist of 10 characters indicating a product code and production date. The last character of product code is capitalized.



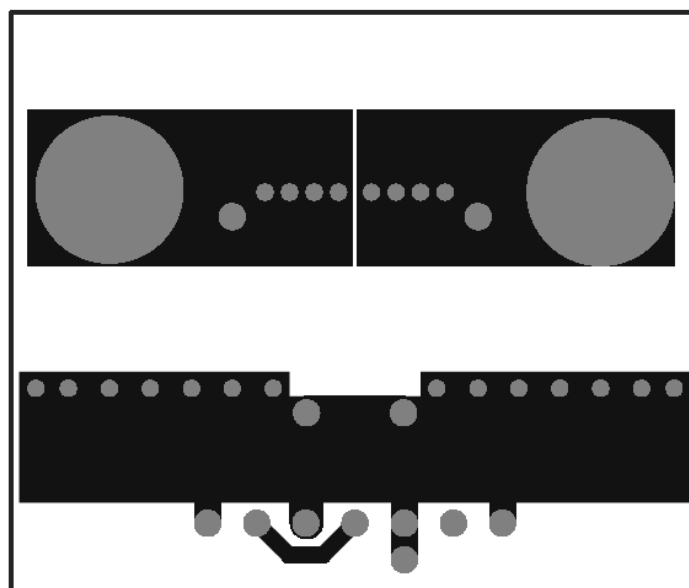
**Figure 11. Markings of CQ-3202.**

**Table 6. Production date code table.**

Last Number of Year		Week Date		Production Times	
Character	Number	Character	Week	Character	Times
0	0	01	1	1	1
1	1	02	2	2	2
2	2	03	3	3	3
3	3	04	4	4	4
4	4	:	:	5	5
5	5			6	6
6	6			7	7
7	7			8	8
8	8	51	51	9	9
9	9	52	52	0	10
		53	53	A	11
		54	54	B	12
				C	13
				D	14
				E	15
				F	16
				G	17
				H	18
				J	19
				K	20
				L	21
				M	22
				N	23
				P	24
				R	25
				S	26
				T	27
				U	28
				V	29
				W	30
				X	31
				Y	32
				Z	33

**13. Board Layout Sample**

(a) Top pattern



(b) Bottom pattern

Board size: 35.5mm × 42.0mm

Board thickness: 1.6mm

Copper layer thickness: 70μm

For more information about board layout, please see the application note provided in the AKM website.

**Figure 12. Board layout sample of CQ-3202.**



<b>14. Reliability Tests</b>
------------------------------

**Table 7. Test parameters and conditions of reliability tests.**

No.	Test Parameter	Test Conditions	n	Test Time
1	High Humidity Bias Test	[JEITA EIAJ ED-4701 102] $T_a = 85^\circ\text{C}$ , 85%RH, continuous operation	22	1000h
2	High Temperature Bias Test	[JEITA EIAJ ED-4701 101] $T_a = 125^\circ\text{C}$ , continuous operation	22	1000h
3	High Temperature Storage Test	[JEITA EIAJ ED-4701 201] $T_a = 150^\circ\text{C}$	22	1000h
4	Low Temperature Storage Test	[JEITA EIAJ ED-4701 202] $T_a = -65^\circ\text{C}$	22	1000h
5	Heat Cycle Test	[JEITA EIAJ ED-4701 105] $-65^\circ\text{C} \leftrightarrow 150^\circ\text{C}$ 30min. $\leftrightarrow$ 30min. Tested in vapor phase	22	100 cycles

Tested samples are pretreated as below before each reliability test:

Desiccation:  $125^\circ\text{C}/24\text{h} \rightarrow$  Moisture Absorption:  $60^\circ\text{C}/60\%\text{RH}/120\text{h} \rightarrow$  Reflow: 3 times (JEDEC Level2a)

Criteria:

Products whose drifts before and after the reliability tests do not exceed the values below are considered to be in spec.

Sensitivity  $V_h(T_a=35^\circ\text{C})$  : Within  $\pm 1.5\%$   
 Zero-current output Voltage  $V_{of}(T_a=35^\circ\text{C})$  : Within  $\pm 66\text{mV}$   
 Linearity  $\rho(T_a=35^\circ\text{C})$  : Within  $\pm 1\%\text{F.S.}$   
 EEPROM data : Unchanged

## 15. Precautions

### <Storage Environment>

Products should be stored at an appropriate temperature, and at as low humidity as possible by using desiccator(5 to 35°C). It is recommended to use the products within 4 weeks since it has opened. Keep products away from chlorine and corrosive gas.

### <Long-term Storage>

Long-term storage may result in poor lead solderability and degraded electrical performance even under proper conditions. For those parts, which stored long-term shall be check solderability before it is used. For storage longer than 1 year, it is recommended to store in nitrogen atmosphere. Oxygen of atmosphere oxidizes leads of products and lead solderability get worse.

### <Other Precautions>

- 1) This product should not be used under the environment with corrosive gas including chlorine or sulfur.
- 2) This product is lead (Pb) free. All leads are plated with 100% tin. Do not store this product alone in high temperature and high humidity environment. Moreover, this product should be mounted on substrate within six months after delivery.
- 3) This product is damaged when it is used on the following conditions:
  - Supply voltage is applied in the opposite way.
  - Overvoltage which is larger than the value indicated in the specification.
- 4) This product will be damaged if it is used for a long time with the current (effective current) which exceeds the current rating. Careful attention must be paid so that maximum effective current is smaller than current rating.
- 5) The characteristic can change by the influences of nearby current and magnetic field. Please make sure of the mounting position.

As this product contains gallium arsenide, observe the following procedures for safety.

- 1) Do not alter the form of this product into a gas, powder, liquid, through burning, crushing, or chemical processing.
- 2) Observe laws and company regulations when discarding this product.

**IMPORTANT NOTICE**

0. Asahi Kasei Microdevices Corporation (“AKM”) reserves the right to make changes to the information contained in this document without notice. When you consider any use or application of AKM product stipulated in this document (“Product”), please make inquiries the sales office of AKM or authorized distributors as to current status of the Products.
1. All information included in this document are provided only to illustrate the operation and application examples of AKM Products. AKM neither makes warranties or representations with respect to the accuracy or completeness of the information contained in this document nor grants any license to any intellectual property rights or any other rights of AKM or any third party with respect to the information in this document. You are fully responsible for use of such information contained in this document in your product design or applications. **AKM ASSUMES NO LIABILITY FOR ANY LOSSES INCURRED BY YOU OR THIRD PARTIES ARISING FROM THE USE OF SUCH INFORMATION IN YOUR PRODUCT DESIGN OR APPLICATIONS.**
2. The Product is neither intended nor warranted for use in equipment or systems that require extraordinarily high levels of quality and/or reliability and/or a malfunction or failure of which may cause loss of human life, bodily injury, serious property damage or serious public impact, including but not limited to, equipment used in nuclear facilities, equipment used in the aerospace industry, medical equipment, equipment used for automobiles, trains, ships and other transportation, traffic signaling equipment, equipment used to control combustions or explosions, safety devices, elevators and escalators, devices related to electric power, and equipment used in finance-related fields. Do not use Product for the above use unless specifically agreed by AKM in writing.
3. Though AKM works continually to improve the Product’s quality and reliability, you are responsible for complying with safety standards and for providing adequate designs and safeguards for your hardware, software and systems which minimize risk and avoid situations in which a malfunction or failure of the Product could cause loss of human life, bodily injury or damage to property, including data loss or corruption.
4. Do not use or otherwise make available the Product or related technology or any information contained in this document for any military purposes, including without limitation, for the design, development, use, stockpiling or manufacturing of nuclear, chemical, or biological weapons or missile technology products (mass destruction weapons). When exporting the Products or related technology or any information contained in this document, you should comply with the applicable export control laws and regulations and follow the procedures required by such laws and regulations. The Products and related technology may not be used for or incorporated into any products or systems whose manufacture, use, or sale is prohibited under any applicable domestic or foreign laws or regulations.
5. Please contact AKM sales representative for details as to environmental matters such as the RoHS compatibility of the Product. Please use the Product in compliance with all applicable laws and regulations that regulate the inclusion or use of controlled substances, including without limitation, the EU RoHS Directive. AKM assumes no liability for damages or losses occurring as a result of noncompliance with applicable laws and regulations.
6. Resale of the Product with provisions different from the statement and/or technical features set forth in this document shall immediately void any warranty granted by AKM for the Product and shall not create or extend in any manner whatsoever, any liability of AKM.
7. This document may not be reproduced or duplicated, in any form, in whole or in part, without prior written consent of AKM.