

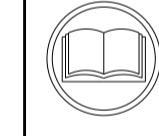
ATLANTIC VERSION TERMINATOR INTERFACE ADAPTER	PART NUMBER	REVISION	DESCRIPTION	FEED TYPE	APPLICATOR STYLE CONVERSION CHART					
					CONVERT TO	PART NUMBERS REQUIRED				
	2266632-2	A	FINE CRIMP HEIGHT ADJUST	PNEUMATIC	-	-	-	-	-	-
	2266632-5	A	FINE CRIMP HEIGHT ADJUST	SERVO LATCH PLATE <sup>4</sup>	SERVO LATCH PLATE SMART APPLICATOR	2119951-1 2161326-1	-	8-2266632-5 8-2266632-4	1901094-3	1-1752354-2 2168400-6 (QUANTITY 2)
	2266632-6	A	NON-CRIMP HEIGHT ADJUST	SERVO LATCH PLATE <sup>4</sup>	PNEUMATIC FEED	2119950-1	1338683-8	5-18022-5	2119641-1	2119799-1 2063440-1
	2266632-7	A	FINE CRIMP HEIGHT ADJUST	NONE	-	-	-	-	-	-
	7-2266632-7	A	CRIMP TOOLING KIT	-	-	-	-	-	-	-

APPLICATOR DATA		
CRIMP	SIZE	TYPE
WIRE	2.03 mm [.080]	F
INSUL	6.35 mm [.250]	O

APPLICATOR INSTRUCTIONS  
408-10389

TERMINAL DATA: TE TERMINAL		TE CRIMP SPECIFICATION	
TERMINAL NAME: STANDARD POWER TIMER CONTACT TYPE A			
WIRE STRIP LENGTH		INSULATION DIAMETER RANGE	
4.40-5.00 mm [.173-.197 IN]		Ø	
TERMINAL APPLICATION SPECIFICATION	(A)114-18037		
	(B)114-18388		
TERMINALS APPLIED <sup>12</sup>			
TE TERMINAL	TE TERMINAL	TE SEAL	TE SEAL
(A) 969040-1	(B) 1241412-1	(A) 963243-1	
	(B) 1241412-3		
			INSULATION DIAMETER
			Ø 1.40-2.10

WIRE SIZE	CRIMP HEIGHT mm [INCH]	CRIMP HEIGHT REFERENCE SETTING
1.00mm2	1.61+/-0.05 [1.063+/-0.002]	5.1
0.75mm2	1.52+/-0.05 [1.060+/-0.002]	5.9
0.50mm2	1.43+/-0.05 [1.056+/-0.002]	6.8



- <sup>1</sup> RECOMMENDED SPARE PARTS
- <sup>2</sup> GREASE BEARING SURFACES LIGHTLY
- 3. LUBRICATE DAILY PER THE APPLICATOR INSTRUCTION SHEET SUPPLIED WITH THE APPLICATOR.
- <sup>4</sup> APPLICATOR SPECIFIC DATA TO BE ENTERED INTO BLANK MEMORY CHIP AT ASSEMBLY. SEE BELOW FOR PART NUMBER:  
 PNEUMATIC FEED WITH "SMART APPLICATOR" CONVERSION: 8-2266632-4  
 SERVO FEED WITH "FINE CRIMP HEIGHT ADJUST": 8-2266632-5  
 SERVO FEED WITH "NON-CRIMP HEIGHT ADJUST": 8-2266632-6
- 5. ADJUSTMENT OF THE STRIPPER MAY BE REQUIRED WHEN MOVING THE APPLICATOR BETWEEN BENCH AND LEADMAKER APPLICATIONS.
- <sup>6</sup> APPLY PART NUMBER 1-23419-5 LOCTITE TO THREADS OF ITEMS 62 & 180. APPLY PART NUMBER 2-23419-6 LOCTITE TO THREADS OF ITEM 242. FOR -6 ONLY APPLY PART NUMBER 1-23419-5 LOCTITE TO THREADS OF ITEMS 37 & 180.
- <sup>7</sup> GREASE THREADS, GROOVE AND O-RING ON ITEMS 35 & 252.
- <sup>8</sup> MAGNET, ITEM 166 MUST BE ORIENTED CORRECTLY IN ORDER TO PROPERLY ACTUATE THE COUNTER.
- <sup>9</sup> CRIMP HEIGHT REFERENCE SETTING WAS THE SETTING USED WHEN THE APPLICATOR WAS QUALIFIED AT THE FACTORY. ADJUSTMENT MAY BE NECESSARY WHEN RUNNING APPLICATOR IN THE FIELD.
- <sup>10</sup> TERMINAL PITCH NOT COMPATIBLE WITH MECHANICAL FEED.
- <sup>11</sup> TO CONVERT THE APPLICATOR TO A NON-CARRIER CUTTING STYLE, REMOVE ITEM 13 AND ATTACH TO THE LOCATION ON THE BACK SIDE OF THE HOUSING. REFER TO INSTRUCTION SHEET FOR ADDITIONAL INFORMATION.
- <sup>12</sup> WHEN ASSEMBLING A NON CRIMP HEIGHT ADJUST APPLICATOR (-6) USE SHIMS FROM ITEM 260 TO ACHIEVE A NOMINAL SHIM HEIGHT OF 4.19.

- <sup>13</sup> THIS APPLICATOR APPLIES TERMINAL WITH A SEAL.
- <sup>14</sup> APPLY TORQ-SEAL IN ALLEN SOCKET TO FILL HOLE AFTER FLAT HD HAS BEEN ADJUSTED TO CORRECT HEIGHT AT QUALIFICATION. APPLY #1-23419-5 LOC-TITE TO THREADS.
- <sup>15</sup> THIS APPLICATOR IS SPECIFIC FOR USE IN A STRIPPER SEAL TERMINATING UNIT.

**\*WARNING**  
 ON INSTALLATION, SET WIRE DISC, ITEM 40 TO LARGEST WIRE SIZE SETTING. USE OF SETTINGS BELOW MINIMUM REQUIRED CRIMP HEIGHT SETTING WILL CAUSE DAMAGE TO CRIMP TOOLING.

-	-	1	-	-	2119957-2	APPLICATOR SHIM PACK	260
-	1	-	1	1	8-21084-0	O-RING, .676 ID, .070 DIA. MAT.	252
-	-	-	-	1	2119640-1	PUSH ROD, AIR FEED	250
-77	-7	-6	-5	-2	PART NO	DESCRIPTION	ITEM NO

**ATLANTIC VERSION**  
 Shown on sheets 1 of 4 & 2 of 4  
 (Pacific version shown on sheets 3 of 4 & 4 of 4)

SET UP GAUGE	LOC	DIST	REVISIONS				
2119599-1	A	66	P LTR	DESCRIPTION	DATE	OWN	APVD
			A	RELEASED	22JAN2015	BW	TE

-	-	-	-	1	2079988-1	BUSHING, LCH5-12, MISUMI	249
-	-	-	-	1	2119641-1	FEED CAM, AIR FEED	248
-	1	-	1	1	2119798-1	DETENT PIN	247
-	1	-	1	1	1-22279-3	SPRING, COMPRESSION	246
-	-	1	-	-	2119758-1	RAM, AMP STYLE, SIDE FEED, NON-ADJ.	245
-	1	1	1	1	2119082-8	CAM, SNAIL, INSULATION ADJUSTMENT	244
-	1	1	1	1	2079764-1	WASHER, WAVE SPRING, CREST-TO-CREST	243
-	1	1	1	1	2119083-1	RETAINER, INSULATION DIAL	242
-	1	1	1	1	7-18023-7	SCR, SKT HD CAP M3 X 4.0	241
-	-	2	2	-	2168400-6	SHCS, LOW HEAD, RoHS, M5 X 16	240
-	-	-	-	-	2119580-1	MECHANICAL FEED ASSEMBLY	239
-	-	-	-	1	2063440-1	AIR FEED MODULE	238
-	-	1	1	-	2119740-2	TAG, IDENTIFICATION	213
-	-	1	1	-	1901094-3	SPACER, FEEDER	198
-	1	1	1	1	2-1752354-2	STANDOFF, HOLD-DOWN	180
-	1	1	1	1	993111-1	PIN, SLOTTED SPRING 3.0 X 20.0	177
-	1	1	1	1	5-22280-0	SPRING, COMPRESSION	176
-	1	1	1	1	1752353-3	GUIDE PIN, HOLDDOWN	175
-	1	1	1	1	1901680-2	GUIDE PIN, HOLDDOWN	174
-	-	-	-	2	21045-3	RING, RETAIN, EXTERN, 3/16 CRESCENT	172
-	1	1	1	1	994969-1	MAGNET, RARE EARTH HIGH ENERGY	166
-	REF	REF	REF	REF	994970-2	COUNTER, MAGNETIC	164
-	-	-	-	1	240638-1	SPRING, FEED FINGER	163
-	-	-	-	1	3-23627-7	PIN, RETAIN, GRVD, 3/16 X .854	137
-	-	-	-	1	2119799-1	HOLDER, FEED FINGER, AF	136
-	-	REF	REF	-	SEE NOTE 4	MEMORY CHIP, PROGRAMMED	135
-	-	1	1	-	1633743-1	SERVO FEED LATCH ASM	133
-	-	REF	REF	-	2119944-1	FEED FINGER ASSEMBLY, SF	117
-	1	1	1	1	455888-5	SPACER, CRIMPER	82
-	1	1	1	1	2119956-1	DOCUMENTATION PACKAGE	71
-	1	-	-	1	2119740-1	TAG, IDENTIFICATION	67
-	2	2	2	2	2168078-1	SCREW, DRIVE, RH, RoHS, 2 x .188	66
-	1	-	1	1	2119793-1	LIMITER, ADJUSTMENT BOLT	63
-	3	-	3	3	992763-5	SCR, SET, SOC, CONE POINT, M3 X 4.0	62
-	1	1	1	1	2079383-4	SCR, BHSC, RoHS (M4 X 8)	60
-	-	-	-	1	5-18022-5	SCR, HEX HD CAP, M4 X 6.0	59
-	1	1	1	1	985575-3	SCR, FLT SKT HD CAP M3 X 10.0	57
-	-	-	-	1	1338683-8	FEED PAWL	56
-	4	4	4	4	2168400-1	SHCS, LOW HEAD, RoHS, M4 X 12	54
-	1	1	1	1	1-5018030-0	NUT, HEX, REG, RoHS, M3.5	52
-	1	1	1	1	4-1722335-3	STRIPPER, SIDE FEED	51
-	-	-	-	1	18023-9	SCR, SKT HD CAP M4 X 6.0	49
-	-	-	-	-	2119652-1	FEED CAM, PRE FEED	48
-	-	-	-	-	2119653-1	FEED CAM, POST FEED	47
-	1	1	1	1	2-2119656-1	APPLICATOR BASIC ASSEMBLY, SF	46
-	1	-	1	1	2119370-1	RAM, AMP STYLE, SIDE FEED	44
-	1	1	1	1	2079383-7	SCR, BHSC, RoHS (M8 X 25)	41
-	1	-	1	1	2119645-1	DISC, NUMBERED FA WIRE ADJUSTMENT	40
-	1	-	1	1	2119957-1	APPLICATOR SHIM PACK	39
-	1	1	1	1	1-2119644-2	RAM WASHER, PRECISION	38
-	1	1	1	1	2119085-1	FA HEAD, ATLANTIC STYLE	37
-	1	-	1	1	2119092-1	BOLT, ADJUSTMENT	35
-	1	1	1	1	1-1752356-1	SUPPORT, TERMINAL	34
-	2	2	2	2	2079383-5	SCR, BHSC, RoHS (M4 X 20)	33
-	1	1	1	1	2161328-1	HEX HEAD, FLANGED, M5 X 8mm LONG	32
-	1	1	1	1	1320908-7	SPACER, STRIP GUIDE	30
-	1	1	1	1	2119959-2	ASSEMBLY, STRIP GUIDE	29
-	1	1	1	1	455888-3	SPACER, CRIMPER	28
-	1	1	1	1	1320928-6	STRIP GUIDE	24
-	1	1	1	1	1-18028-2	WASHER, FLAT, REG M4	20
-	1	1	1	1	2119806-1	INSERT, SHEAR	13
-	1	1	1	1	3-22280-3	SPRING, COMPRESSION	12
-	1	1	1	1	1-356885-4	STOP, SHEAR	11
-	1	1	1	1	2119805-1	SHEAR HOLDER, FRONT	10
-	1	1	1	1	318707-1	FLOATING SHEAR, FRONT	9
-	1	1	1	1	4-1333204-2	ANVIL, COMBINATION	8
-	-	-	-	-	-	-	7
-	-	-	-	-	-	-	6
-	1	1	1	1	2-2119781-4	DEPRESSOR, SHEAR	5
-	1	1	1	1	238011-2	BLOCK, CRIMPER SPACER	4
-	1	1	1	1	1633996-6	CRIMPER, INSULATION SPECIAL	3
-	1	1	1	1	455888-9	SPACER, CRIMPER	2
-	1	1	1	1	1-456405-6	CRIMPER, WIRE PREMIUM	1
-77	-7	-6	-5	-2	PART NO	DESCRIPTION	ITEM NO

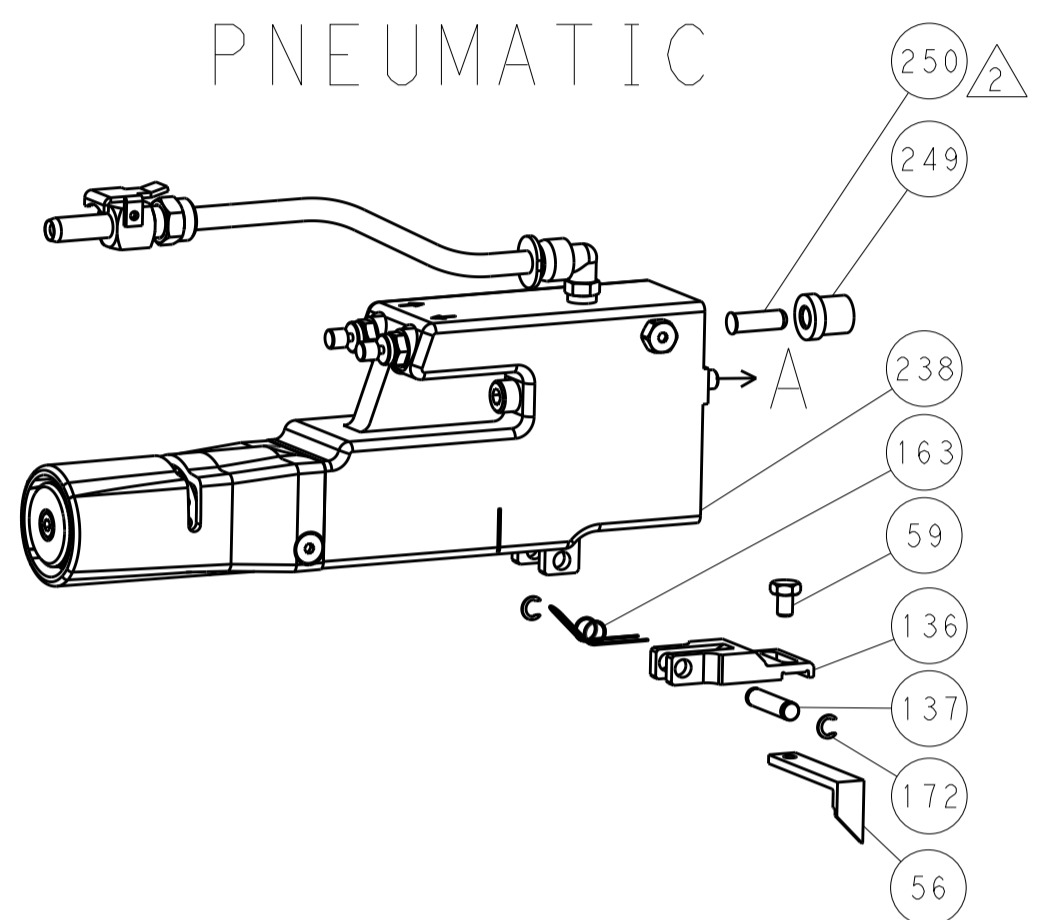
DIMENSIONS:		TOLERANCES UNLESS OTHERWISE SPECIFIED:		DRAWING NO	
mm	0 PLC ±.5	1 PLC ±.5	2 PLC ±.5	3 PLC ±.5	4 PLC ±.5
	ANGLES ±.0001				
MATERIAL	FINISH	WEIGHT	SCALE	SHEET	REV
			1:2	1 OF 4	A

LOC	DIST	REV	DATE	BY	APPV
A	66				

REVISIONS			
REV	DATE	BY	APPV
-	SEE SHEET 1	-	-

### FEED TYPE

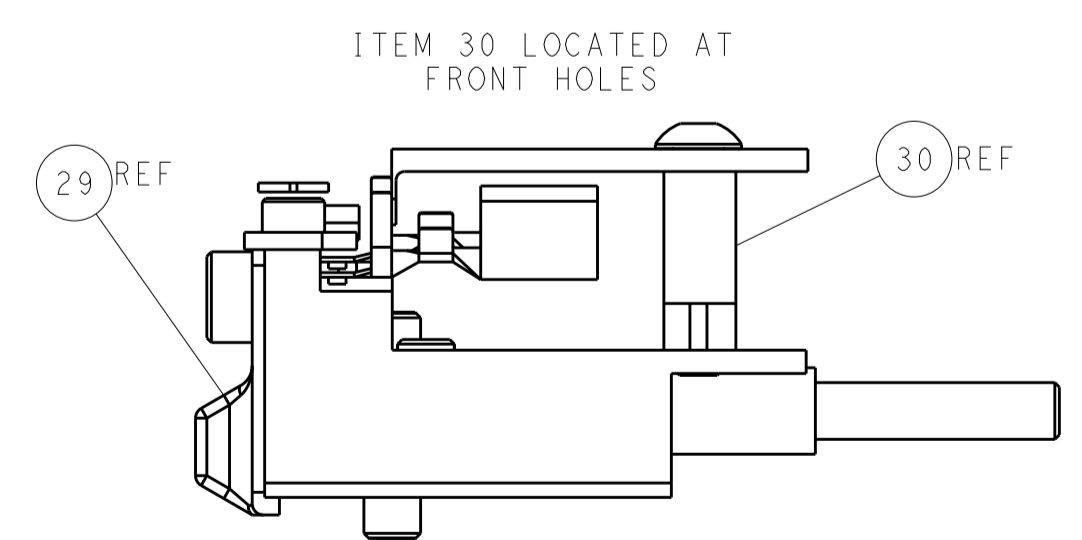
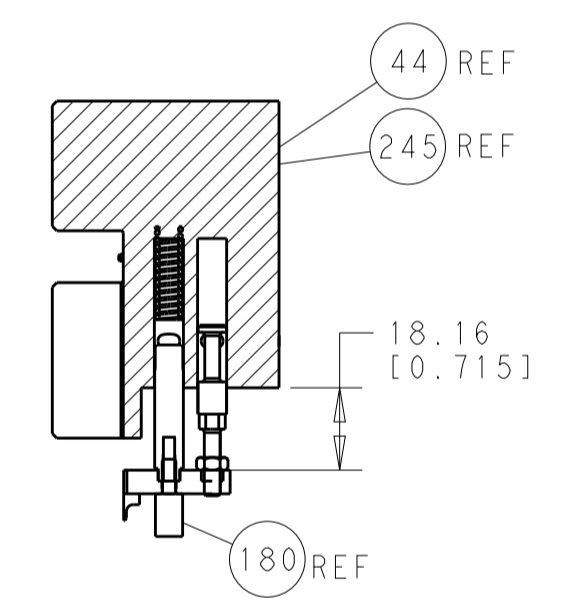
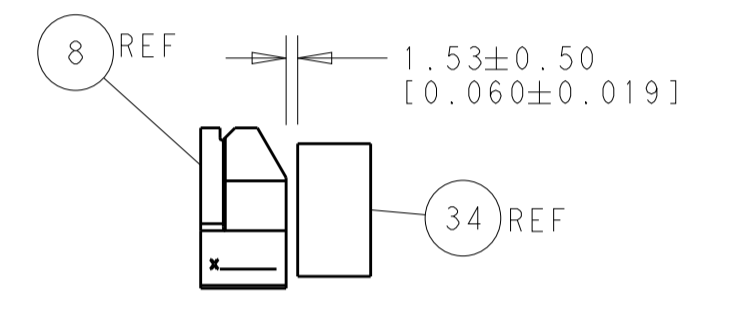
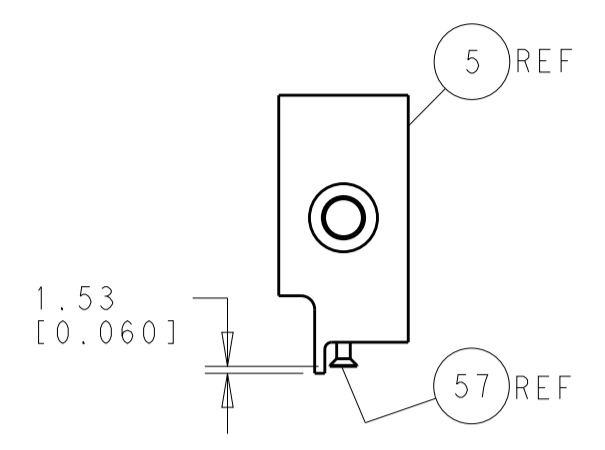
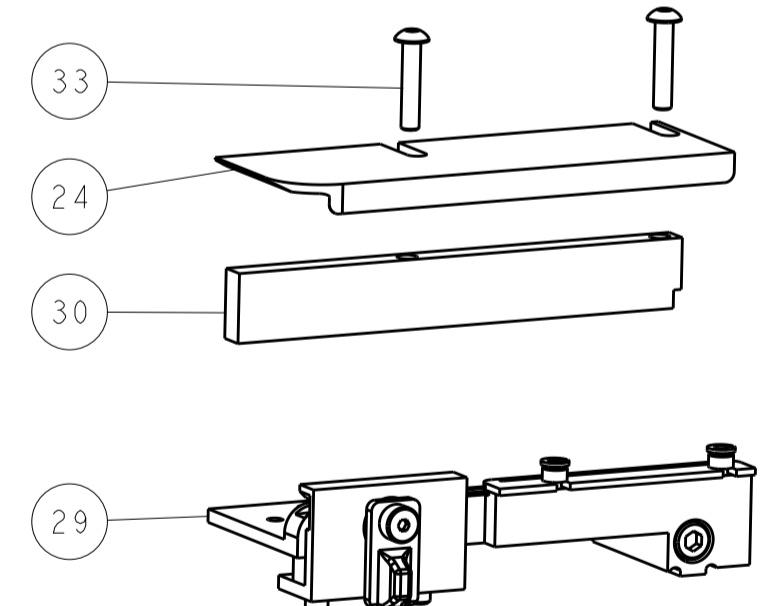
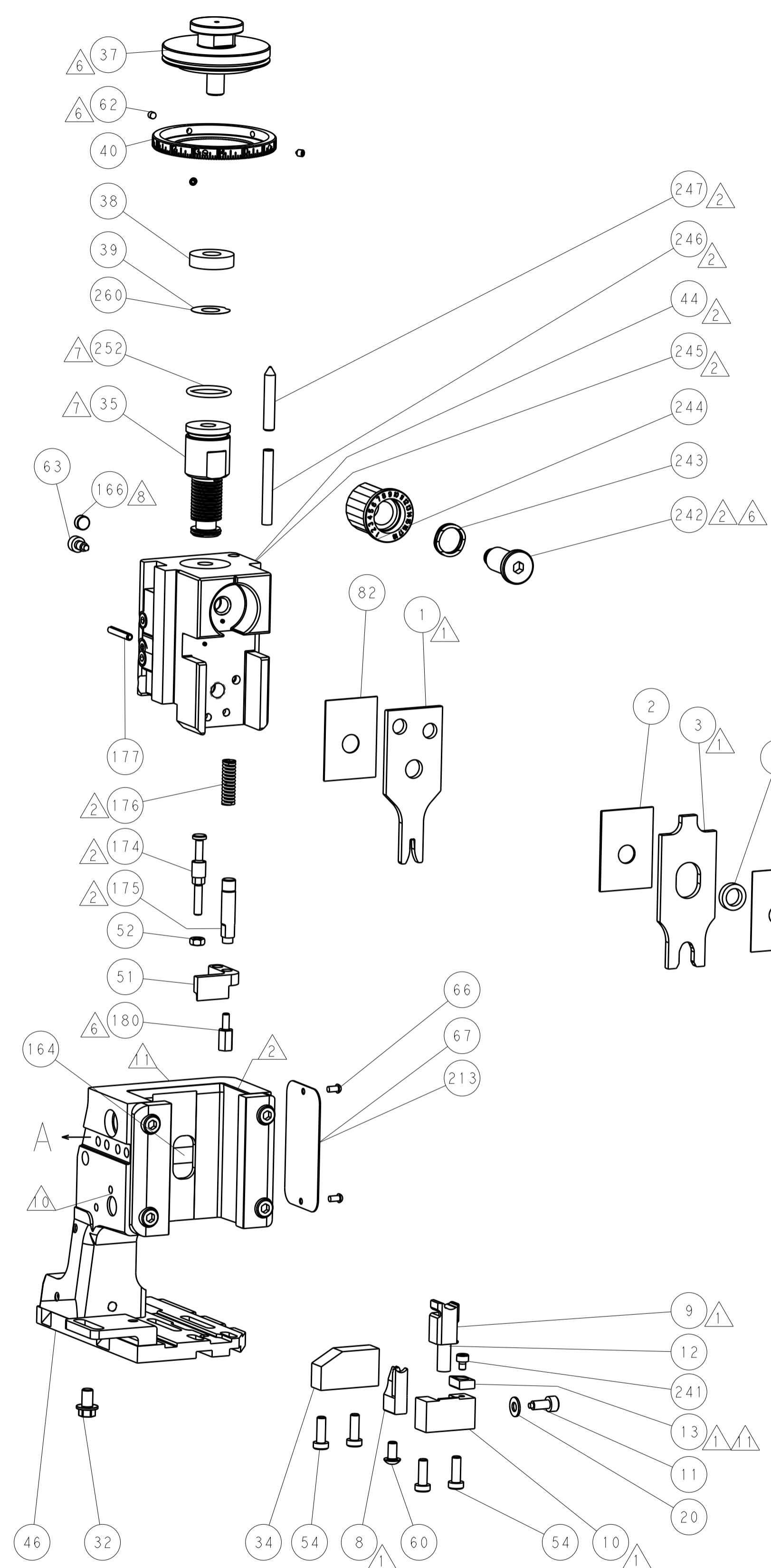
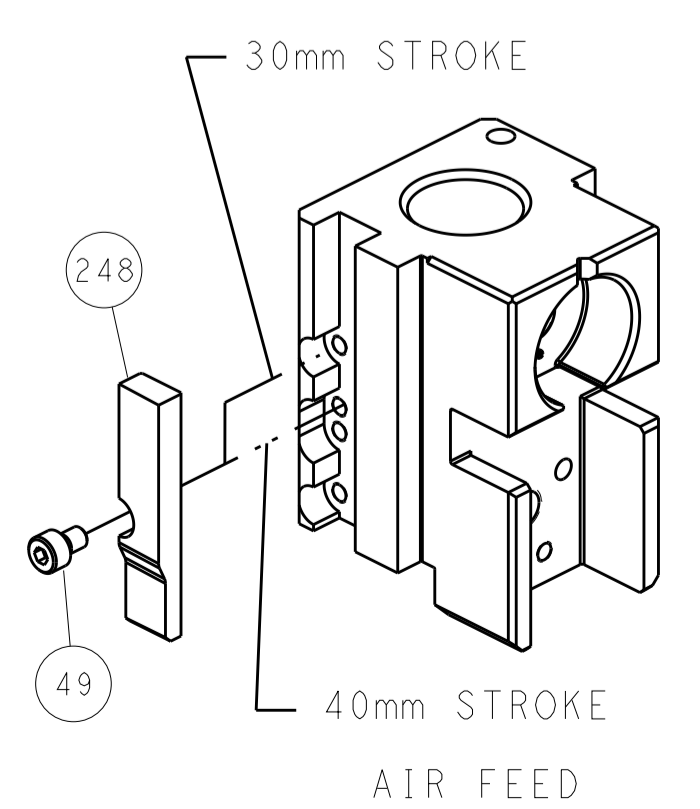
### PNEUMATIC



### SERVO LATCH PLATE

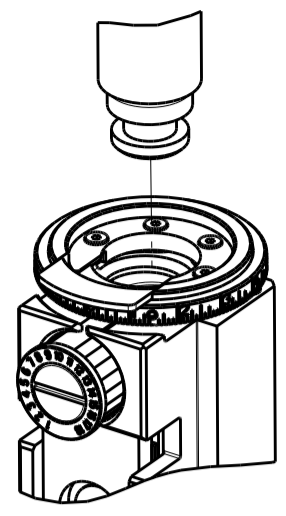



### CAM POSITION

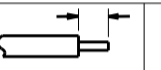



**ATLANTIC VERSION**  
 Shown on sheets 1 of 4 & 2 of 4  
 (Pacific version shown on sheets 3 of 4 & 4 of 4)

DIMENSIONS:		TOLERANCES UNLESS OTHERWISE SPECIFIED:		DWG: B. WEAVER 16DEC2014		TE Connectivity	
mm	0 PLC ±0.5	1 PLC ±0.5	2 PLC ±0.13	3 PLC ±0.013	4 PLC ±0.001	APVD: T. ELBIN 16DEC2014	Harrisburg, PA 17105-3608
MATERIAL:		FINISH:		NAME: Ocean Side Feed Applicator		RESTRICTED TO:	
Customer Accessible Production Drawing		SCALE: 1:2		SHEET 2 OF 4		REV A	

PACIFIC VERSION TERMINATOR INTERFACE ADAPTER	PART NUMBER	REVISION	DESCRIPTION	FEED TYPE	APPLICATOR STYLE CONVERSION CHART					
					CONVERT TO	PART NUMBERS REQUIRED				
	2-2266632-2	A	FINE CRIMP HEIGHT ADJUST	PNEUMATIC	-	-	-	-	-	-
					SERVO LATCH PLATE	2119951-1	-	8-2266632-5	1901094-3	1-1752354-2
	2-2266632-5	A	FINE CRIMP HEIGHT ADJUST	SERVO LATCH PLATE <sup>4</sup>	-	-	-	-	-	-
					PNEUMATIC FEED	2119950-1	1338683-8	5-18022-5	2119641-2	2119799-1
2-2266632-7	A	FINE CRIMP HEIGHT ADJUST	NONE	-	-	-	-	-	-	
7-2266632-7	A	CRIMP TOOLING KIT	-	-	-	-	-	-	-	

APPLICATOR DATA		
CRIMP SIZE	TYPE	
WIRE 2.03 mm [ .080 ]	F	
INSUL 6.35 mm [ .250 ]	O	
APPLICATOR INSTRUCTIONS 408-10389 		

TERMINAL DATA: TE TERMINAL		TE CRIMP SPECIFICATION	
TERMINAL NAME: STANDARD POWER TIMER CONTACT TYPE A			
WIRE STRIP LENGTH		INSULATION DIAMETER RANGE	
4.40-5.00 mm [ .173-.197 IN ]		∅	∆2
TERMINAL APPLICATION SPECIFICATION	(A)114-18037	-	-
	(B)114-18388	-	-
TERMINALS APPLIED <sup>10</sup>			
TE TERMINAL	TE TERMINAL	TE SEAL	TE SEAL
(A) 969040-1	(B) 1241412-1	(A) 963243-1	
	(B) 1241412-3		
INSULATION DIAMETER ∅1.40-2.10			

WIRE SIZE	CRIMP HEIGHT mm [INCH]	CRIMP HEIGHT REFERENCE SETTING <sup>9</sup>
1.00mm2	1.61 +/- 0.05 [ .063 +/- .002 ]	5.1
0.75mm2	1.52 +/- 0.05 [ .060 +/- .002 ]	5.9
0.50mm2	1.43 +/- 0.05 [ .056 +/- .002 ]	6.8

**\*WARNING**  
 ON INSTALLATION, SET WIRE DISC, ITEM 40 TO LARGEST WIRE SIZE SETTING. USE OF SETTINGS BELOW MINIMUM REQUIRED CRIMP HEIGHT SETTING WILL CAUSE DAMAGE TO CRIMP TOOLING.



- <sup>1</sup> RECOMMENDED SPARE PARTS
- <sup>2</sup> GREASE BEARING SURFACES LIGHTLY
- 3. LUBRICATE DAILY PER THE APPLICATOR INSTRUCTION SHEET SUPPLIED WITH THE APPLICATOR.
- <sup>4</sup> APPLICATOR SPECIFIC DATA TO BE ENTERED INTO BLANK MEMORY CHIP AT ASSEMBLY. SEE BELOW FOR PART NUMBER:  
 PNEUMATIC FEED WITH "SMART APPLICATOR" CONVERSION: 8-2266632-4  
 SERVO FEED WITH "FINE CRIMP HEIGHT ADJUST": 8-2266632-5
- 5. ADJUSTMENT OF THE STRIPPER MAY BE REQUIRED WHEN MOVING THE APPLICATOR BETWEEN BENCH AND LEADMAKER APPLICATIONS.
- <sup>6</sup> APPLY PART NUMBER 1-23419-5 LOCTITE TO THREADS OF ITEMS 62 & 180. APPLY PART NUMBER 2-23419-6 LOCTITE TO THREADS OF ITEM 242.
- <sup>7</sup> GREASE THREADS, GROOVE AND O-RING ON ITEMS 139 & 152.
- <sup>8</sup> MAGNET MUST BE ORIENTED CORRECTLY IN ORDER TO PROPERLY ACTUATE THE COUNTER.
- <sup>9</sup> CRIMP HEIGHT REFERENCE SETTING WAS THE SETTING USED WHEN THE APPLICATOR WAS QUALIFIED AT THE FACTORY. ADJUSTMENT MAY BE NECESSARY WHEN RUNNING APPLICATOR IN THE FIELD.
- <sup>10</sup> TERMINAL PITCH NOT COMPATIBLE WITH MECHANICAL FEED.
- <sup>11</sup> TO CONVERT THE APPLICATOR TO A NON-CARRIER CUTTING STYLE, REMOVE ITEM 13 AND ATTACH TO THE LOCATION ON BACK SIDE OF THE HOUSING. REFER TO INSTRUCTION SHEET FOR ADDITIONAL INFORMATION.

- <sup>12</sup> THIS APPLICATOR APPLIES TERMINAL WITH A SEAL.
- <sup>13</sup> APPLY TORO-SEAL IN ALLEN SOCKET TO FILL HOLE AFTER FLAT HD HAS BEEN ADJUSTED TO CORRECT HEIGHT AT QUALIFICATION. APPLY #1-23419-5 LOC-TITE TO THREADS.
- <sup>14</sup> THIS APPLICATOR IS SPECIFIC FOR USE IN A STRIPPER SEAL TERMINATING UNIT.

-77	-27	-25	-22	PART NO	DESCRIPTION	ITEM NO
-	1	1	1	2119782-1	FINE ADJUST HEAD ASM, PACIFIC STYLE	251

**PACIFIC VERSION**  
 Shown on sheets 3 of 4 & 4 of 4  
 (Atlantic version shown on sheets 1 of 4 & 2 of 4)

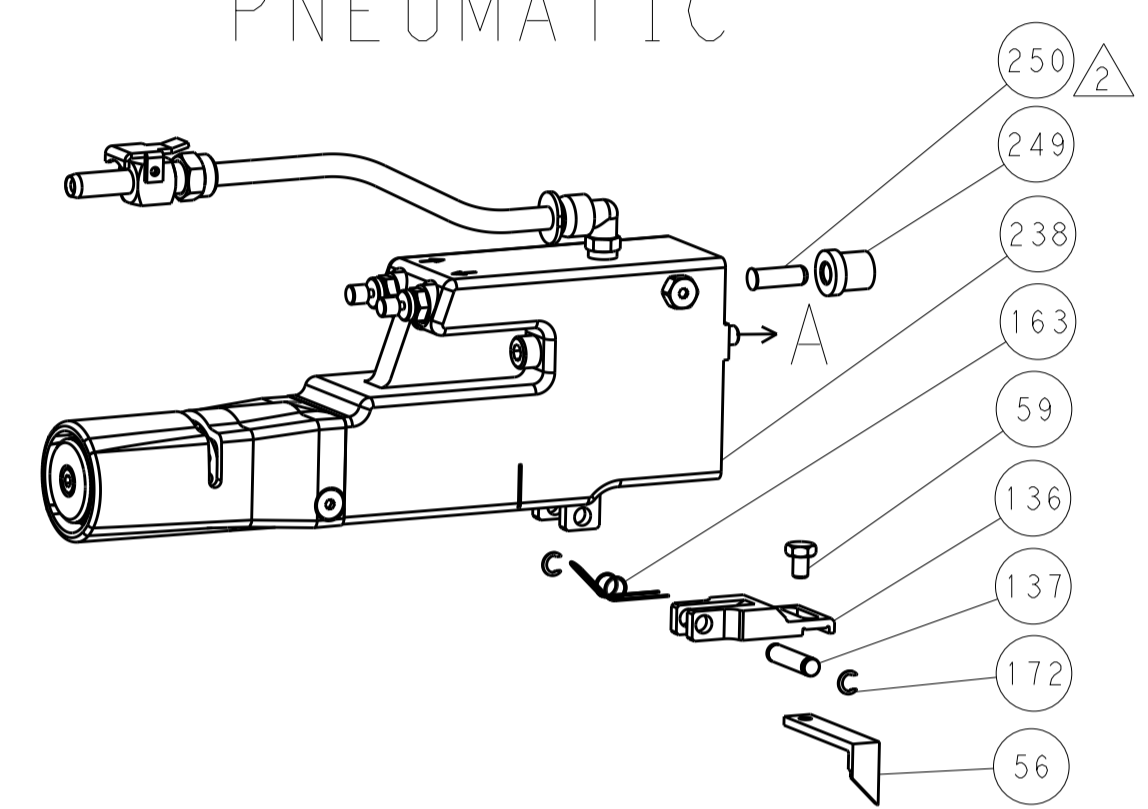
SET UP GAUGE	LOC	DIST	REVISIONS					
2119599-1	A	66	P	LTN	DESCRIPTION	DATE	OWN	APVD
			-	-	SEE SHEET 1	-	-	-

-	-	-	1	2119640-1	PUSH ROD, AIR FEED			250
-	-	-	1	2079988-1	BUSHING, LCH5-12, MISUMI			249
-	1	1	1	1-22279-3	SPRING, COMPRESSION			246
-	1	1	1	2119082-8	CAM, SNAIL, INSULATION ADJUSTMENT			244
-	1	1	1	2079764-1	WASHER, WAVE SPRING, CREST-TO-CREST			243
-	1	1	1	2119083-1	RETAINER, INSULATION DIAL			242
-	1	1	1	7-18023-7	SCR, SKT HD CAP M3 X 4.0			241
-	-	2	-	2168400-6	SHCS, LOW HEAD, RoHS, M5 X 16			240
-	-	-	-	2119580-1	MECHANICAL FEED ASSEMBLY			239
-	-	-	1	2063440-1	AIR FEED MODULE			238
-	-	1	-	2119740-2	TAG, IDENTIFICATION			213
-	-	1	-	1901094-3	SPACER, FEEDER			198
-	1	1	1	2-1752354-2	STANDOFF, HOLD-DOWN			180
-	1	1	1	993111-1	PIN, SLOTTED SPRING 3.0 X 20.0			177
-	1	1	1	5-22280-0	SPRING, COMPRESSION			176
-	1	1	1	1752353-3	GUIDE PIN, HOLDDOWN			175
-	1	1	1	1901680-2	GUIDE PIN, HOLDDOWN			174
-	-	-	2	21045-3	RING, RETAIN, EXTERN, 3/16 CRESCENT			172
-	1	1	1	994969-1	MAGNET, RARE EARTH HIGH ENERGY			166
-	REF	REF	REF	994970-2	COUNTER, MAGNETIC			164
-	-	-	1	240638-1	SPRING, FEED FINGER			163
-	1	1	1	8-21084-1	O-RING, .801 ID, .070 DIA. MAT.			152
-	-	-	1	2119641-2	FEED CAM, AIR FEED			151
-	1	1	1	2119798-2	DETENT PIN			145
-	1	1	1	2079383-8	SCR, BHSC, RoHS (M4 X 16)			144
-	4	4	4	2168400-5	SHCS, LOW HEAD, RoHS, M4 X 20			143
-	-	-	-	2119653-2	FEED CAM, POST FEED			142
-	1	1	1	2-2119656-2	APPLICATOR BASIC ASSEMBLY, SF			141
-	1	1	1	2119650-1	RAM, ASIAN STYLE, SIDE FEED			140
-	1	1	1	2119092-2	BOLT, ADJUSTMENT			139
-	-	-	1	3-23627-7	PIN, RETAIN, GRVD, 3/16 X .854			137
-	-	-	1	2119799-1	HOLDER, FEED FINGER, AF			136
-	-	REF	-	SEE NOTE 4	MEMORY CHIP, PROGRAMMED			135
-	-	1	-	1633743-1	SERVO FEED LATCH ASM			133
-	-	REF	-	2119944-1	FEED FINGER ASSEMBLY, SF			117
-	1	1	1	455888-5	SPACER, CRIMPER			82
-	1	1	1	2119956-1	DOCUMENTATION PACKAGE			71
-	1	-	1	2119740-1	TAG, IDENTIFICATION			67
-	2	2	2	2168078-1	SCREW, DRIVE, RH, RoHS, 2 x .188			66
-	1	1	1	2119793-1	LIMITER, ADJUSTMENT BOLT			63
-	3	3	3	992763-5	SCR, SET, SOC, CONE POINT, M3 X 4.0			62
-	-	-	1	5-18022-5	SCR, HEX HD CAP, M4 X 6.0			59
-	1	1	1	985575-3	SCR, FLT SKT HD CAP M3 X 10.0			57
-	-	-	1	1338683-8	FEED PAWL			56
-	1	1	1	1-5018030-0	NUT, HEX, REG, RoHS, M3.5			52
-	1	1	1	4-1722335-3	STRIPPER, SIDE FEED			51
-	-	-	1	18023-9	SCR, SKT HD CAP M4 X 6.0			49
-	-	-	-	2119652-1	FEED CAM, PRE FEED			48
-	1	1	1	2079383-7	SCR, BHSC, RoHS (M8 X 25)			41
-	1	1	1	2119645-1	DISC, NUMBERED FA WIRE ADJUSTMENT			40
-	1	1	1	2119957-1	APPLICATOR SHIM PACK			39
-	1	1	1	1-2119644-2	RAM WASHER, PRECISION			38
-	1	1	1	1-1752356-1	SUPPORT, TERMINAL			34
-	2	2	2	2079383-5	SCR, BHSC, RoHS (M4 X 20)			33
-	1	1	1	2161328-1	HEX HEAD, FLANGED, M5 X 8mm LONG			32
-	1	1	1	1320908-7	SPACER, STRIP GUIDE			30
-	1	1	1	2119959-2	ASSEMBLY, STRIP GUIDE			29
-	1	1	1	455888-3	SPACER, CRIMPER			28
-	1	1	1	1320928-6	STRIP GUIDE			24
-	1	1	1	1-18028-2	WASHER, FLAT, REG M4			20
-	1	1	1	2119806-1	INSERT, SHEAR			13
-	1	1	1	3-22280-3	SPRING, COMPRESSION			12
-	1	1	1	1-356885-4	STOP, SHEAR			11
-	1	1	1	2119805-1	SHEAR HOLDER, FRONT			10
-	1	1	1	318707-1	FLOATING SHEAR, FRONT			9
-	1	1	1	4-1333204-2	ANVIL, COMBINATION			8
-	-	-	-	-	-			7
-	-	-	-	-	-			6
-	1	1	1	2-2119781-4	DEPRESSOR, SHEAR			5
-	1	1	1	238011-2	BLOCK, CRIMPER SPACER			4
-	1	1	1	1633996-6	CRIMPER, INSULATION SPECIAL			3
-	1	1	1	455888-9	SPACER, CRIMPER			2
-	1	1	1	1-456405-6	CRIMPER, WIRE PREMIUM			1

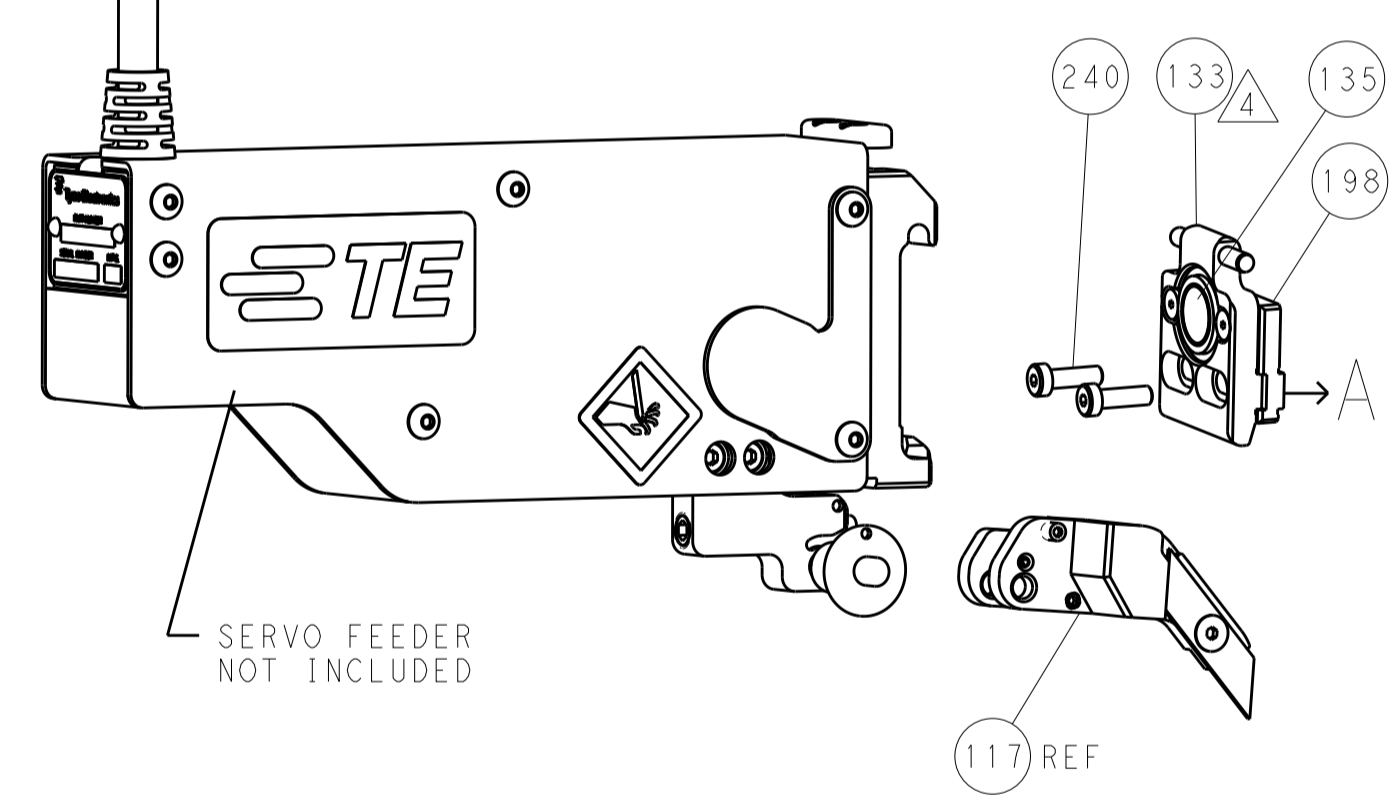
DIMENSIONS:		TOLERANCES UNLESS OTHERWISE SPECIFIED:		DWG		REV	
mm	0 PLC ±.5	1 PLC ±0.5	2 PLC ±0.13	3 PLC ±0.013	4 PLC ±0.0013	16DEC2014	16DEC2014
MATERIAL:		FINISH:		APVD		T. ELBIN	
-		-		T. ELBIN		16DEC2014	
-		-		PRODUCT SPEC		NAME	
-		-		APPLICATION SPEC		Ocean Side Feed Applicator	
-		-		WEIGHT		SIZE	
-		-		-		A1 00779 C=2266632	
-		-		Customer Accessible Production Drawing		SCALE 1:2 SHEET 3 OF 4 REV A	

LOC		DIST		REVISIONS			
A	66	P	LTM	DESCRIPTION	DATE	OWN	APVD
		-		SEE SHEET 1			

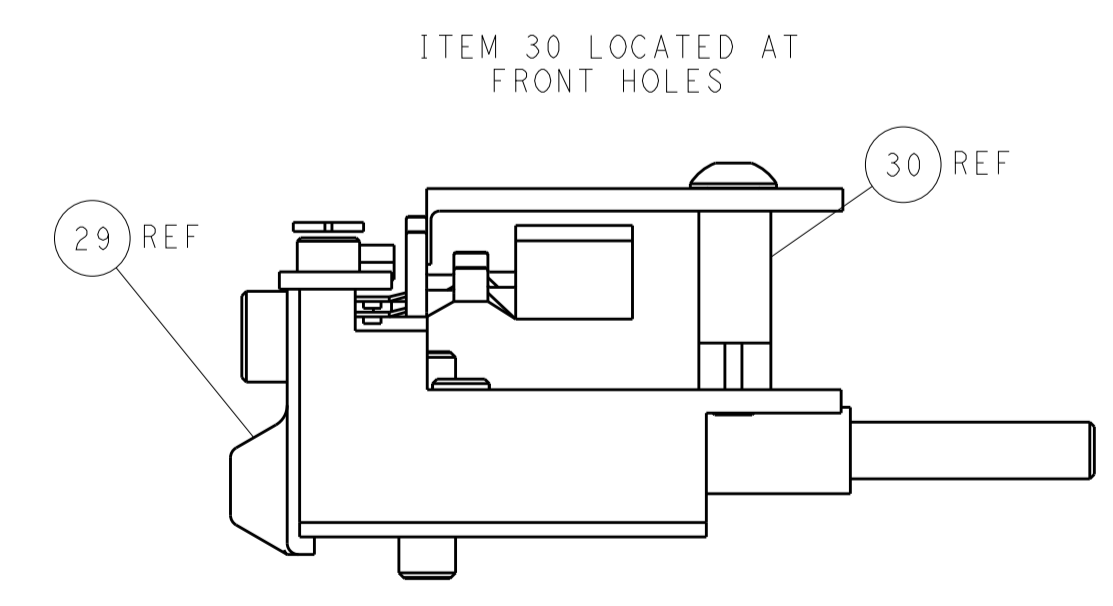
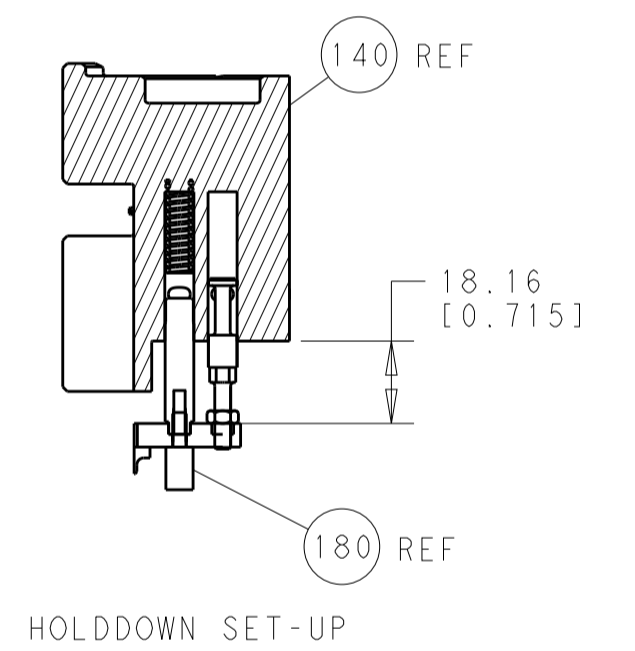
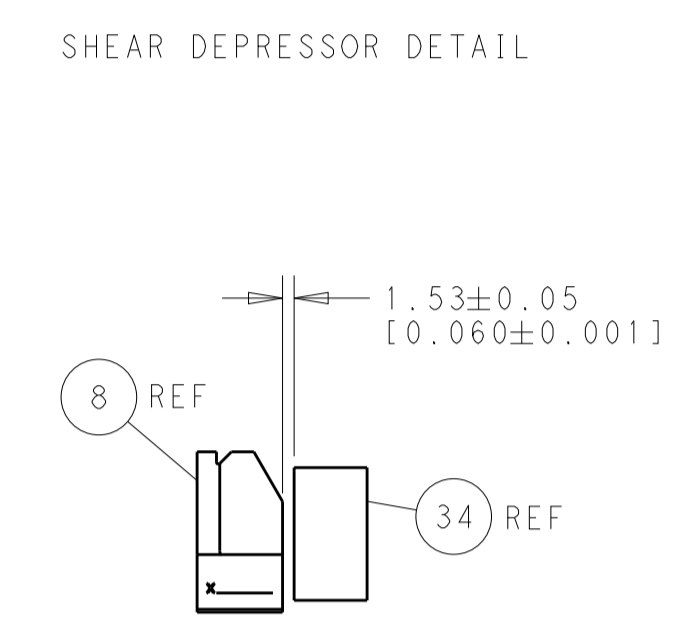
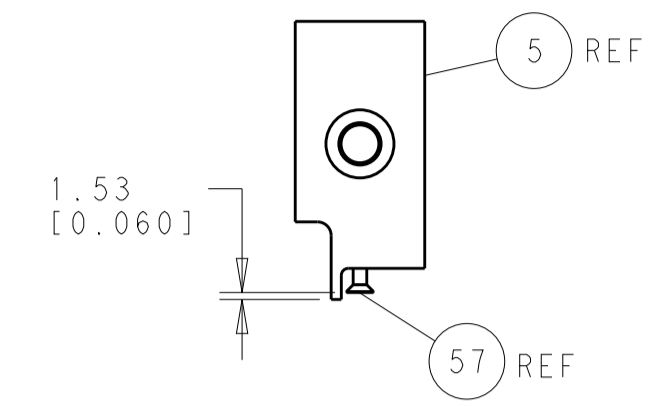
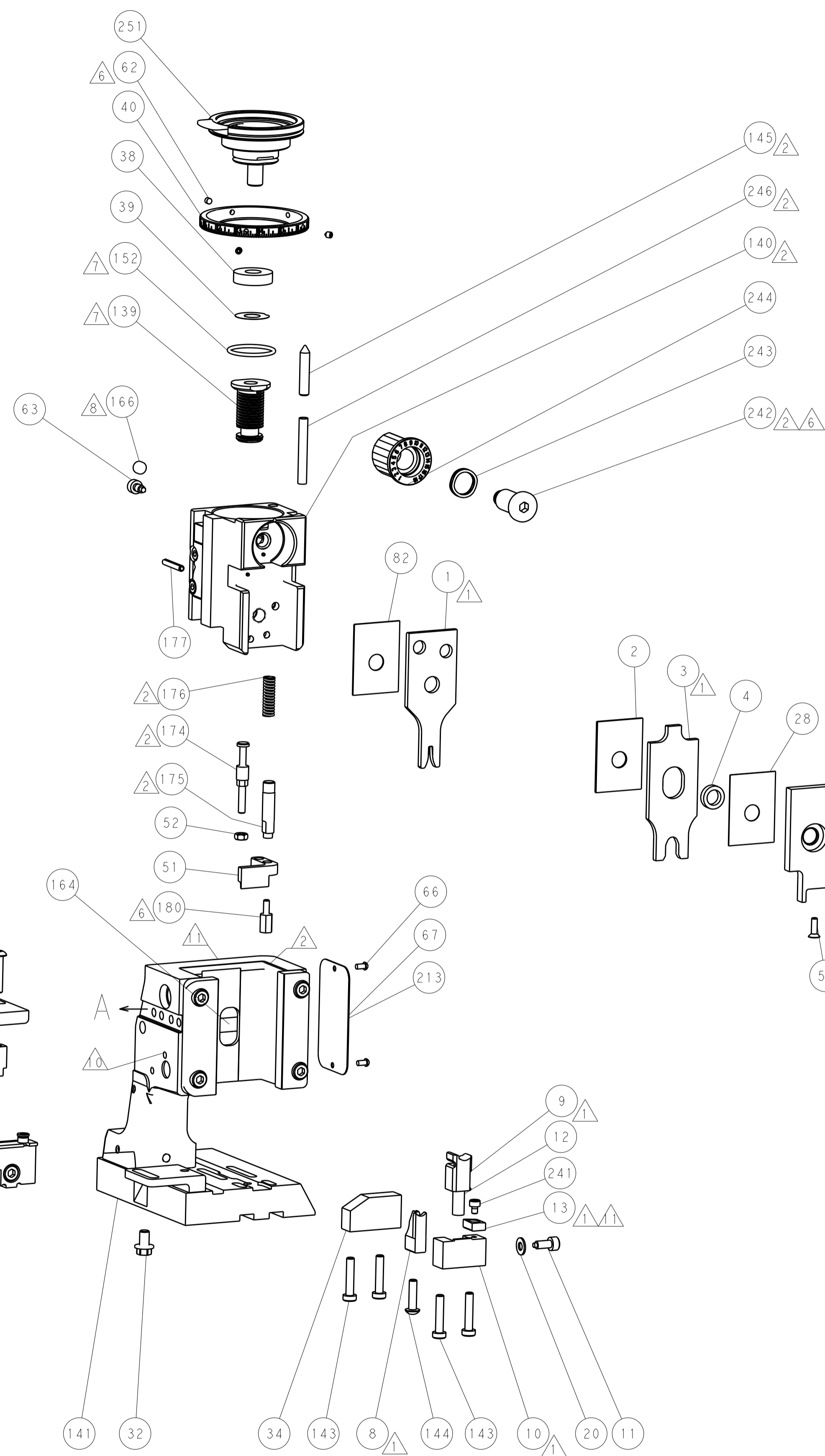
### FEED TYPE PNEUMATIC



### SERVO LATCH PLATE



### CAM POSITION



**PACIFIC VERSION**  
 Shown on sheets 3 of 4 & 4 of 4  
 (Atlantic version shown on sheets 1 of 4 & 2 of 4)

DIMENSIONS:		TOLERANCES UNLESS OTHERWISE SPECIFIED:		DWN B. WEAVER 16DEC2014		TE Connectivity	
mm	0 PLC ±0.5	1 PLC ±0.5	2 PLC ±0.13	3 PLC ±0.013	4 PLC ±0.001	APVD T. ELBIN 16DEC2014	Harrisburg, PA 17105-3608
MATERIAL:		FINISH:		NAME		Ocean Side Feed Applicator	
				SIZE CAGE CODE DRAWING NO		RESTRICTED TO	
				A1 00779 C=2266632			
				Customer Accessible Production Drawing		SCALE 1:2 SHEET 4 OF 4 REV A	