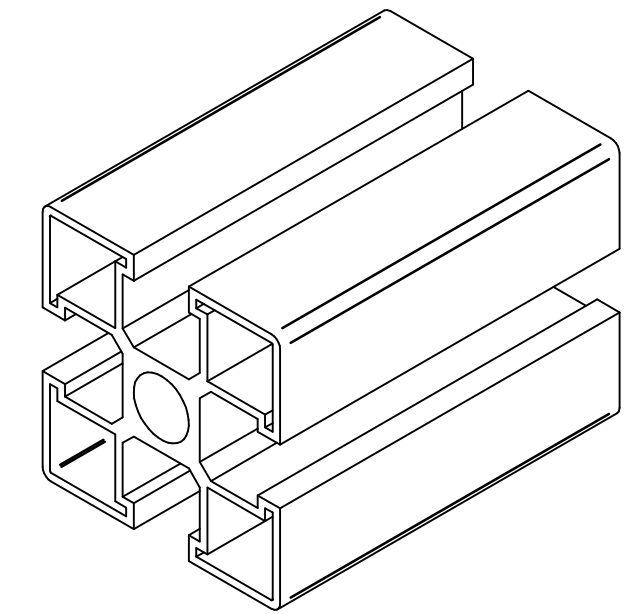
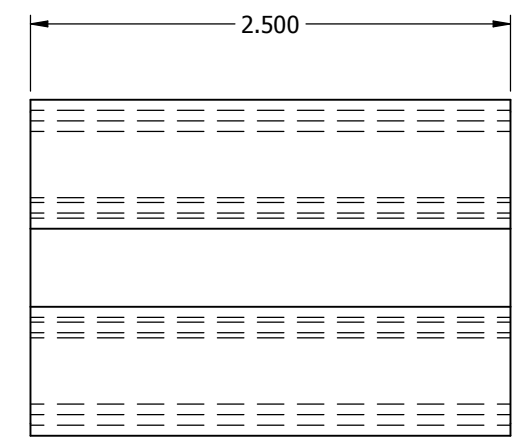
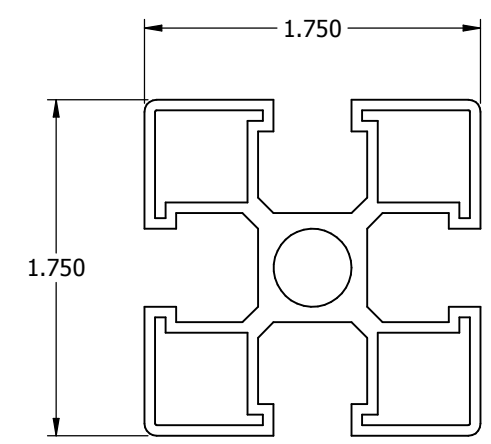


REV	ECN	DESCRIPTION	DATE	ENGR	CHK'D
A	6172	RELEASED	OCT 4/06	KT	



NOTES - UNLESS OTHERWISE SPECIFIED:  
 1. REMOVE ALL BURRS AND SHARP EDGES.

UNLESS OTHERWISE SPECIFIED  
 ALL DIMENSIONS ARE SHOWN IN INCHES.

TOLERANCES - UNLESS OTHERWISE INDICATED:				
DIMENSION	UNDER 6"	6" TO 24"	OVER 24"	OVER 48"
FRACTION	± 1/32"	± 3/64"	± 1/16"	± 1/8"
.XX	± 0.04"	± 0.05"	± 0.06"	± 0.13"
.XXX	± 0.020"	± 0.020"	± 0.020"	± 0.030"
HOLE Ø	± 0.005"			
ANGLE	± 1°			

DWN	KTURNER	SHEET SIZE B
DATE	04-Oct-06	
CHK.		
AUTH.		
MAT'L	SPC20252	
CAD DATA ONLY: DO NOT MANUALLY UPDATE		

N/A	N/A	<b>PART No. CAK1924</b>
MODIFIED FROM	NEXT ASSEMBLY	
<b>HAMMOND MANUFACTURING CO. LTD</b> Enclosure Group		
THIS DRAWING IS PROPRIETARY INFORMATION OF HAMMOND MFG. CO. LTD. NOT TO BE USED WITHOUT EXPRESSED WRITTEN PERMISSION OF HAMMOND MFG. CO. LTD.		
TITLE: <b>24" TO 19" RACK SPACER</b>		
SCALE: 1:1	DWG: CAK1924	SHEET: 1 OF 1