



PRODUCT NUMBER
20020038-XXXXXXLF

20020038-□ □ □ □ B 0 □ L F

PITCH

G: 5.00 mm
H: 5.08 mm

POLES

02: 2 POLES
03: 3 POLES
.....
24: 24 POLES

LF : DENOTED RoHS COMPATIBLE

1 : STANDARD PRODUCT
W/ BOX PACKING

HOUSING CODE

CODE	COLOR	AVAILABILITY
1	GREEN(RAL 6018/T)	STANDARD
2	BLACK	ON REQUEST ONLY
3	GREY(RAL 7004/P)	ON REQUEST ONLY
4	BLUE(RAL 5015/A)	ON REQUEST ONLY

PROPERTY TABLE			
FCI SERIES NAME		35-500	35-508
PITCH (mm)		5.00	5.08
VOLTAGE RATING (VAC)		300	300
CURRENT RATING (A)		10	10
APPLICABLE WIRE RANGE (AWG)	1-WIRE	12~26	12~26
	2-WIRE	NA	NA
WIRE CROSS SECTION (mm ²)	SOLID	1-WIRE	2.5
		2-WIRE	NA
	STRANDED	1-WIRE	2.5
		2-WIRE	NA
OPENING CONTACT HOUSING(mm ²)		2.4x3.0	2.2x3.0
WIRE STRIP LENGTH(mm)		8~9	8~9
WITHSTANDING VOLTAGE (kV)		1.6	1.6
OPERATING TEMP. (°C)		-40~+115	-40~+115
POLES AVAILABLE		02~24	02~24
SAFETY CERTIFICATE			

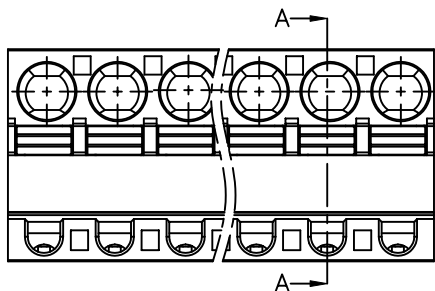
NOTES:

- MATERIALS
 - 1-1 HOUSING: THERMALPLASTIC RESIN, UL 94V-0 RATED.
 - 1-2 INSULATING LEVER: THERMALPLASTIC RESIN, UL 94V-0 RATED.
 - 1-3 WIRE GUARD : STAINLESS STEEL.
 - 1-4 TERMINAL: COPPER ALLOY, TIN PLATED.
- PRODUCT SPECIFICATION REFER TO FCI GS-12-625.
- PRODUCT PACKING SPECIFICATION REFER TO FCI GS-14-1394.
- FCI, SAFETY CERTIFICATE LOGO AND SERIES NAME TO BE SHOWN ON PRODUCT SURFACE.
- THE PRODUCTS WHERE THE PART NUMBER END IN "LF" MEET THE EUROPEAN UNION DIRECTIVE AND OTHER COUNTRY REGULATIONS AS DESCRIBED IN GS-22-008.

mat'l. code				surface ASME Y14.5 ✓ tolerance ASME Y14.5		projection		product family TERMINAL BLOCK	
ltr	ecn no	dr	date	tolerances unless otherwise specified				title	
A	T11-0004	WL	011811	angles	X.±0.5			TERMINAL BLOCK	
B	T-005306	WL	082311	tolerances	X.X±0.3	MM [INCH]		PLUGGABLE SIGNAL PLUG, DOWNSIDE CONTACT WITHOUT FLANGE	
				scale	X.XX±0.1			dwg no 20020038 sheet 1 of 3 size A4	
				dr	WENDY CHEN	122710		type CUSTOMER Drawing	
				enr	JASON HSU	122710			
				chr	JASON HSU	122710			
				appd	JASON HSU	122710			
sheet index	revision sheet	B	B	B	B	B	B	B	B
		1	2	3					

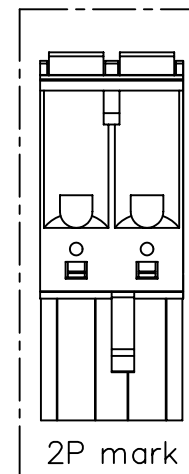
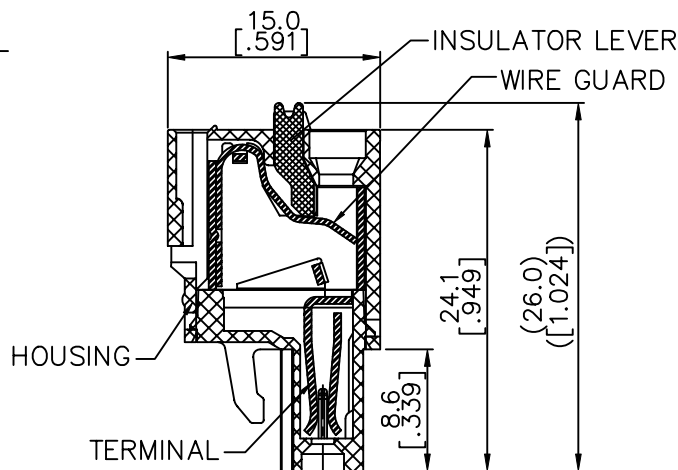
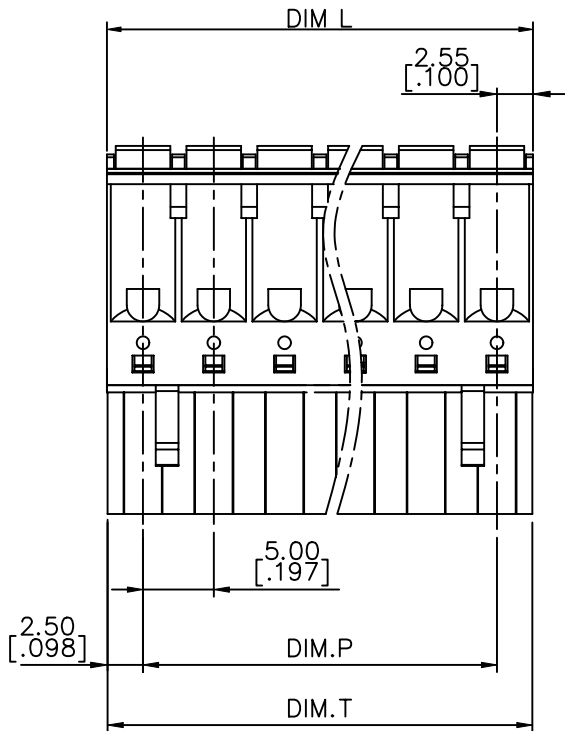


PRODUCT NUMBER	SERIES NAME	PITCH
20020038-GXXXXXLF	35-500	5.00 mm



N = Number of poles
 DIM. L = (N x 5.0 [.197]) + 0.1 [.004]
 DIM. P = (N - 1) x 5.0 [.197]
 DIM. T = N x 5.0 [.197]

POLES	Dim.L & P & T
2-6p	±0.15 [.006]
7-12p	±0.20 [.008]
13-18p	±0.25 [.010]
19-24p	±0.30 [.012]

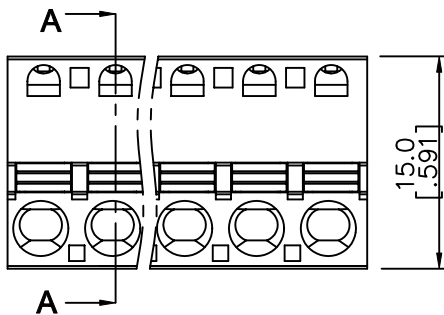


mat'l. code		surface ASME Y14.5 ✓	tolerance ASME Y14.5	projection [Symbol]	product family TERMINAL BLOCK
ltr	ecn no	dr	date	title TERMINAL BLOCK PLUGGABLE SIGNAL PLUG, DOWNSIDE CONTACT WITHOUT FLANGE	
B				angles X ± 0.5 X.X ± 0.3 X.XX ± 0.1	scale MM [INCH]
		dr	WENDY CHEN	122710	dwg no
		enr	JASON HSU	122710	sheet 2 of 3
		chr	JASON HSU	122710	20020038
		appd	JASON HSU	122710	A4
sheet index	revision sheet				type CUSTOMER Drawing



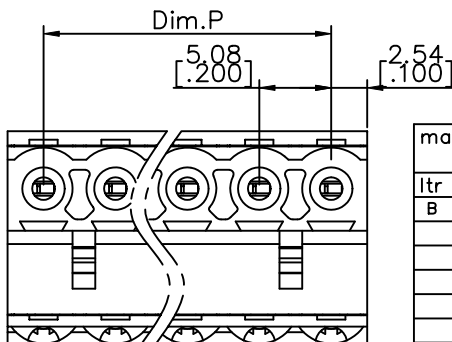
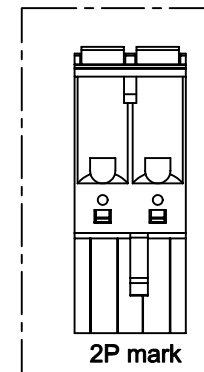
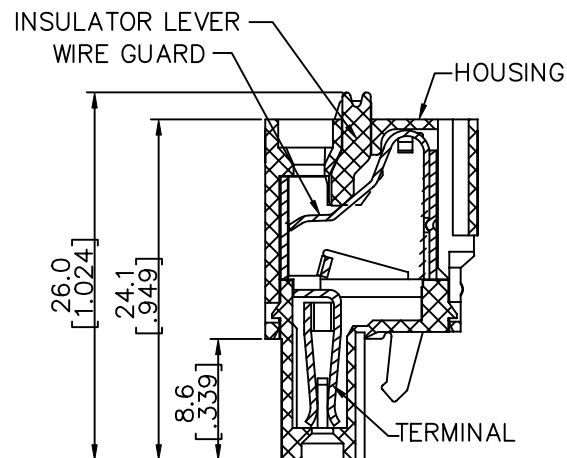
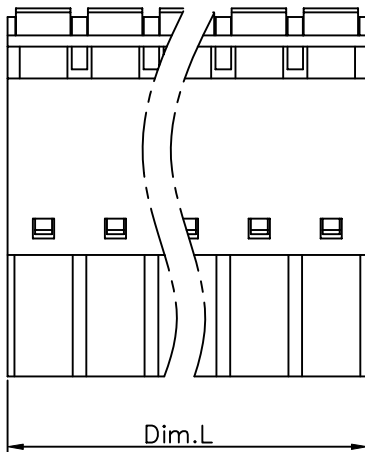
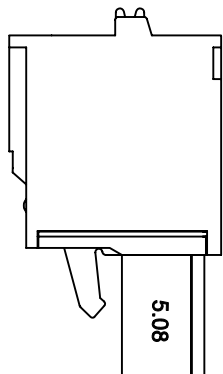


PRODUCT NUMBER	SERIES NAME	PITCH
20020038-HXXXXXLf	35-508	5.08 mm



N = Number of poles
 DIM. L=(N×5.08 [.200])
 DIM. P=(N-1)×5.08 [.200]

POLES	DIM. L & P
2-6p	±0.15 [.006]
7-12p	±0.25 [.010]
13-18p	±0.30 [.012]
19-24p	±0.40 [.016]



mat'l. code		surface ASME Y14.5	tolerance ASME Y14.5	projection 	product family TERMINAL BLOCK
ltr	ecn no	dr	date	title TERMINAL BLOCK PLUGGABLE SIGNAL PLUG, DOWNSIDE CONTACT WITHOUT FLANGE	
B				angles X±1°	scale MM [INCH]
				tolerances unless otherwise specified	dwg no 20020038
		dr	WENDY CHEN	122710	sheet 3 of 3 size A4
		enr	JASON HSU	122710	type CUSTOMER Drawing
		chr	JASON HSU	122710	
		appd	JASON HSU	122710	
sheet index	revision sheet				

