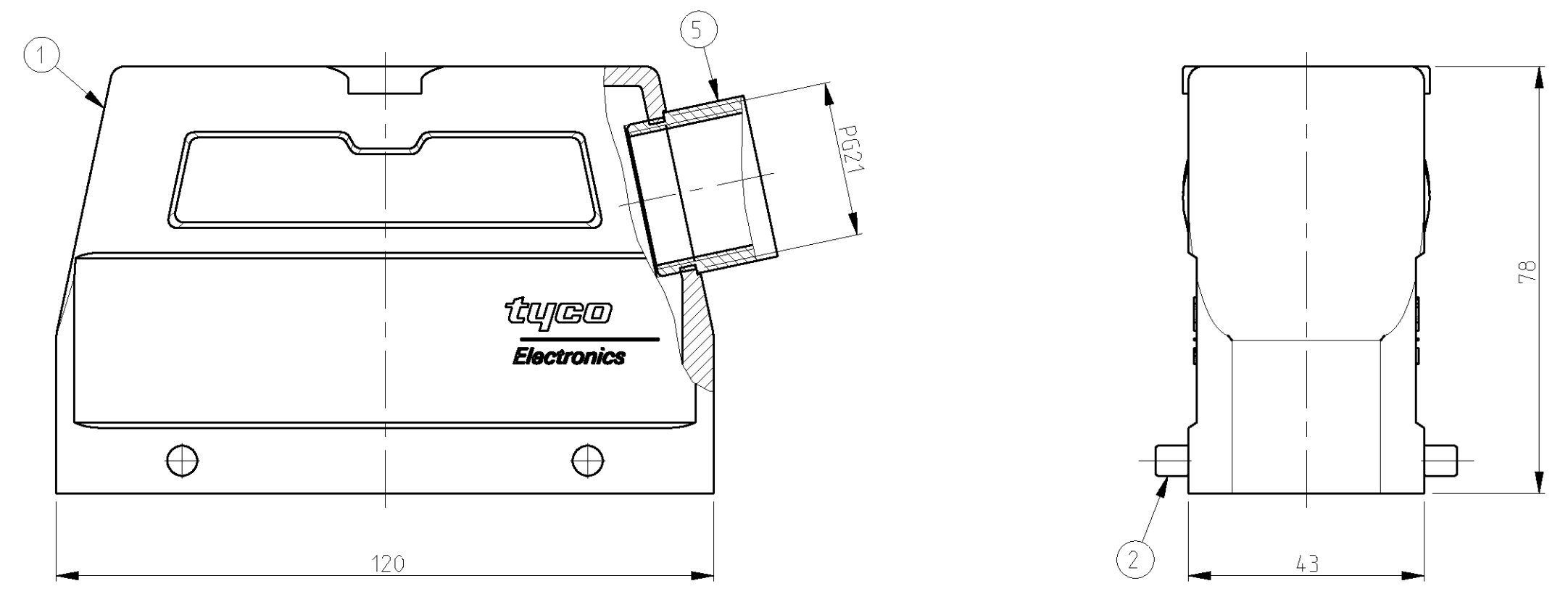
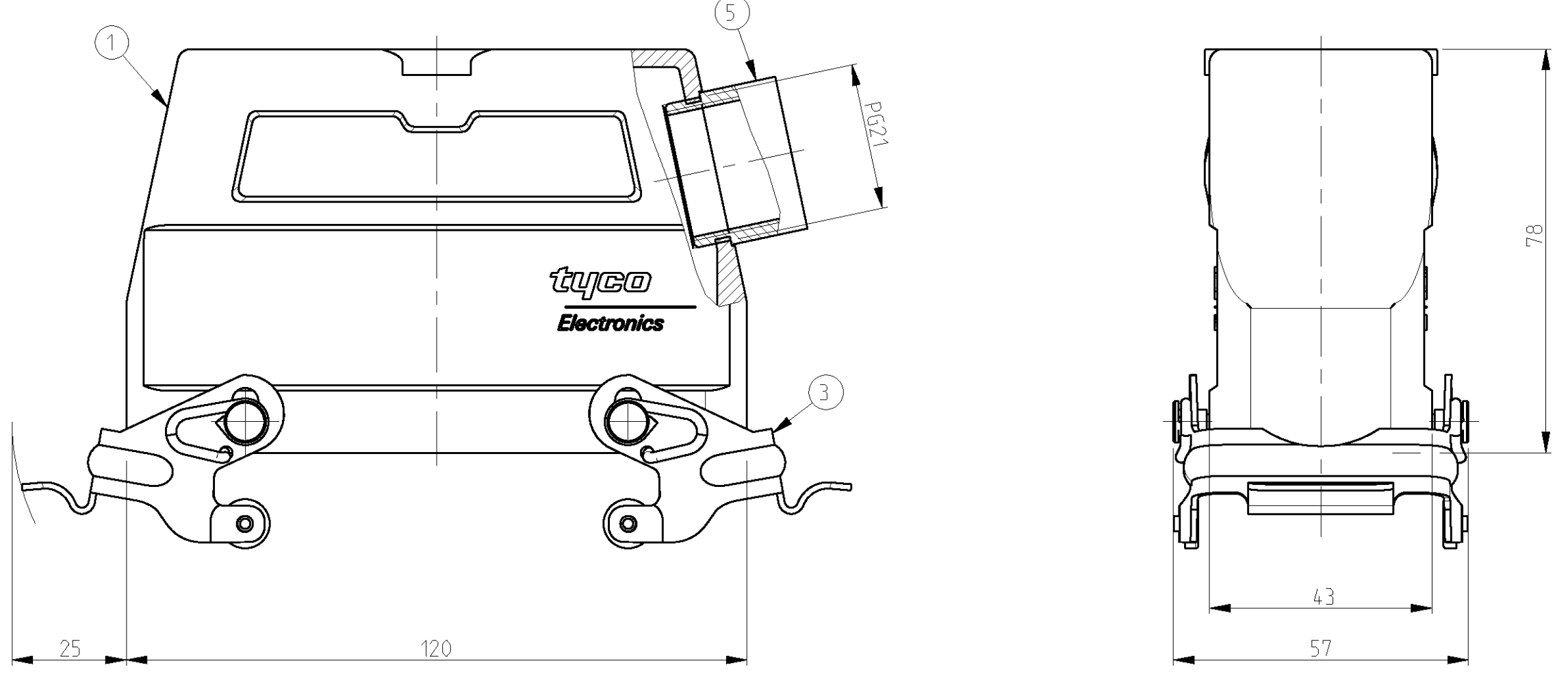


LOC	DIST	REVISIONS			
		REV	DATE	BY	APPV
A1	-	A2	Released as per ECR-07-030424	17.12.07	SP TS
		A3	REVISED PER ECO-09-027197	21JAN10	KK HMR

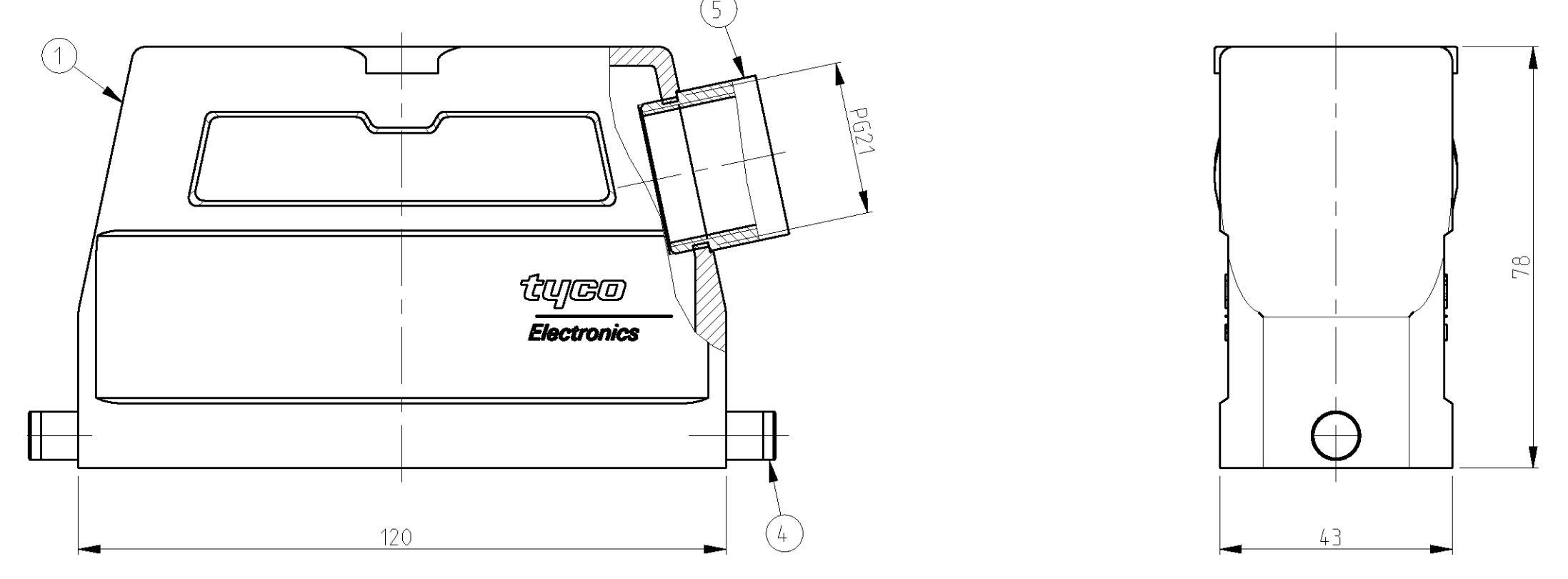
PN 1-6



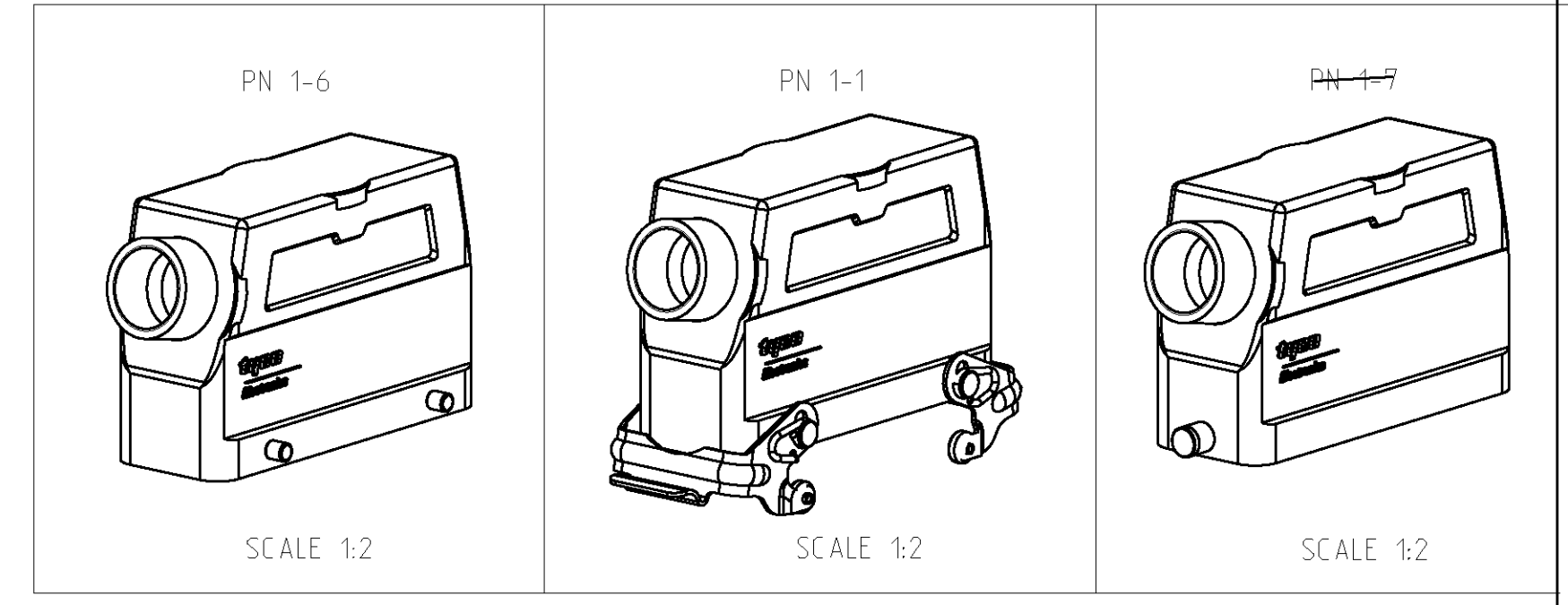
PN 1-1



PN 1-7



- NOTES.
- Material:Housing:Aluminium Diecasting Alloy
 - Surface:Varnish grey
 - Varnish on the inside not necessary
 - Packaging
Quantity 5 Pieces in a box
- OBsolete PARTS: OBSOLETE CIS STREAMLINING PER D.RENAUD/D.SINISI**



OBsolete

NO	QTY	DESCRIPTION	MATERIAL	SURFACE	COLOR	ITEM NO	REMARKS
1	1	Adaptor round	Brass	Nickel plated	Blue	5	PG21
2	1	LB-Clip bolt	Steel	Zinc plated	Blue	4	
2	1	VS-Side clip	Steel	Zinc plated	Blue	3	
4	1	VS-Clip bolt	Steel	Zinc plated	Blue	2	
1	1	HD Hood	Aluminium		Grey	1	

ORDERING TEXT
 HD .64 .STS .1.21.Z
 HD .64 .STS .VS .1.21.Z
 HD .64 .STS .GR .1.21.Z

DIMENSIONS: mm		TOLERANCES UNLESS OTHERWISE SPECIFIED: mm		DWN Schneider 29.07.2003 CHK Schneider 29.07.2003 APVD Schwaiger		Tyco Electronics Tyco Electronics AMP GmbH 0-53819-Neunkirchen,Germany	
DIMENSIONS: mm		TOLERANCES UNLESS OTHERWISE SPECIFIED: mm		NAME Hood HD .64 .STS .1.21.Z		PRODUCT SPEC 108-74001 108-74003 APPLICATION SPEC 114-74001 114-74004	
MATERIAL -		FINISH -		WEIGHT -		SIZE CABE CODE DRAWING NO A 00779 C=1103335	
CUSTOMER DRAWING				SCALE 1:1		SHEET 1 OF 1 REV A3	