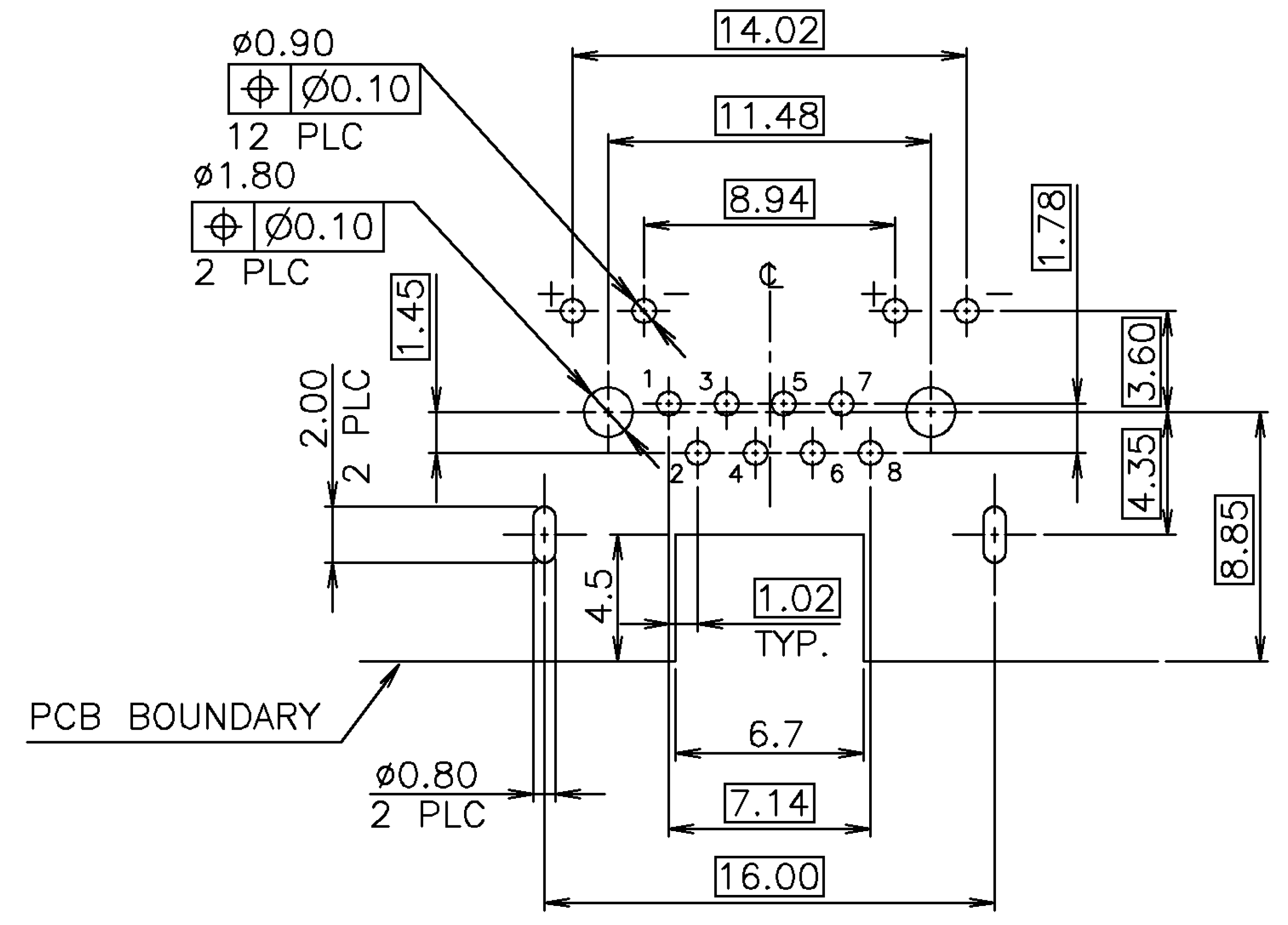
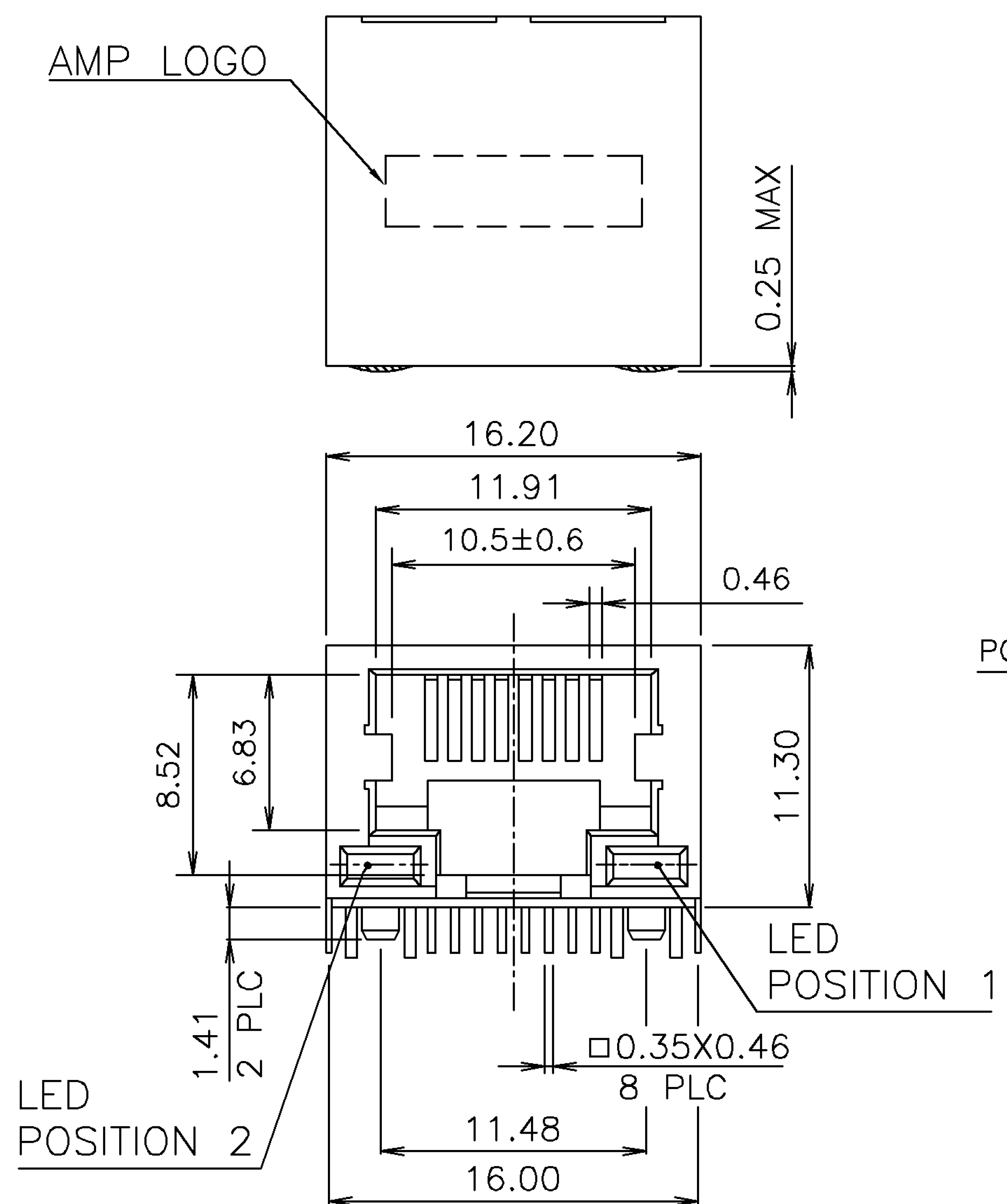
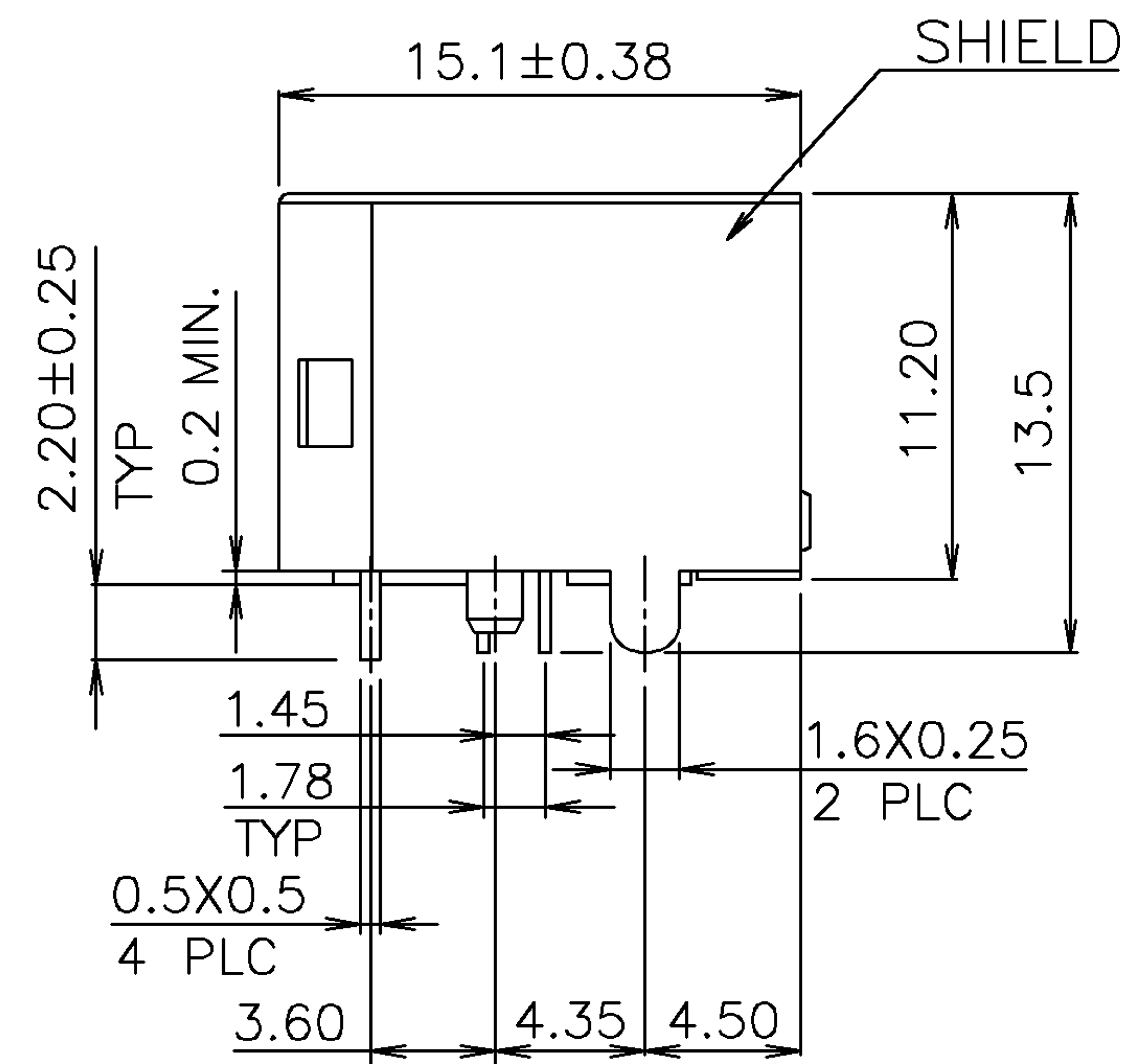
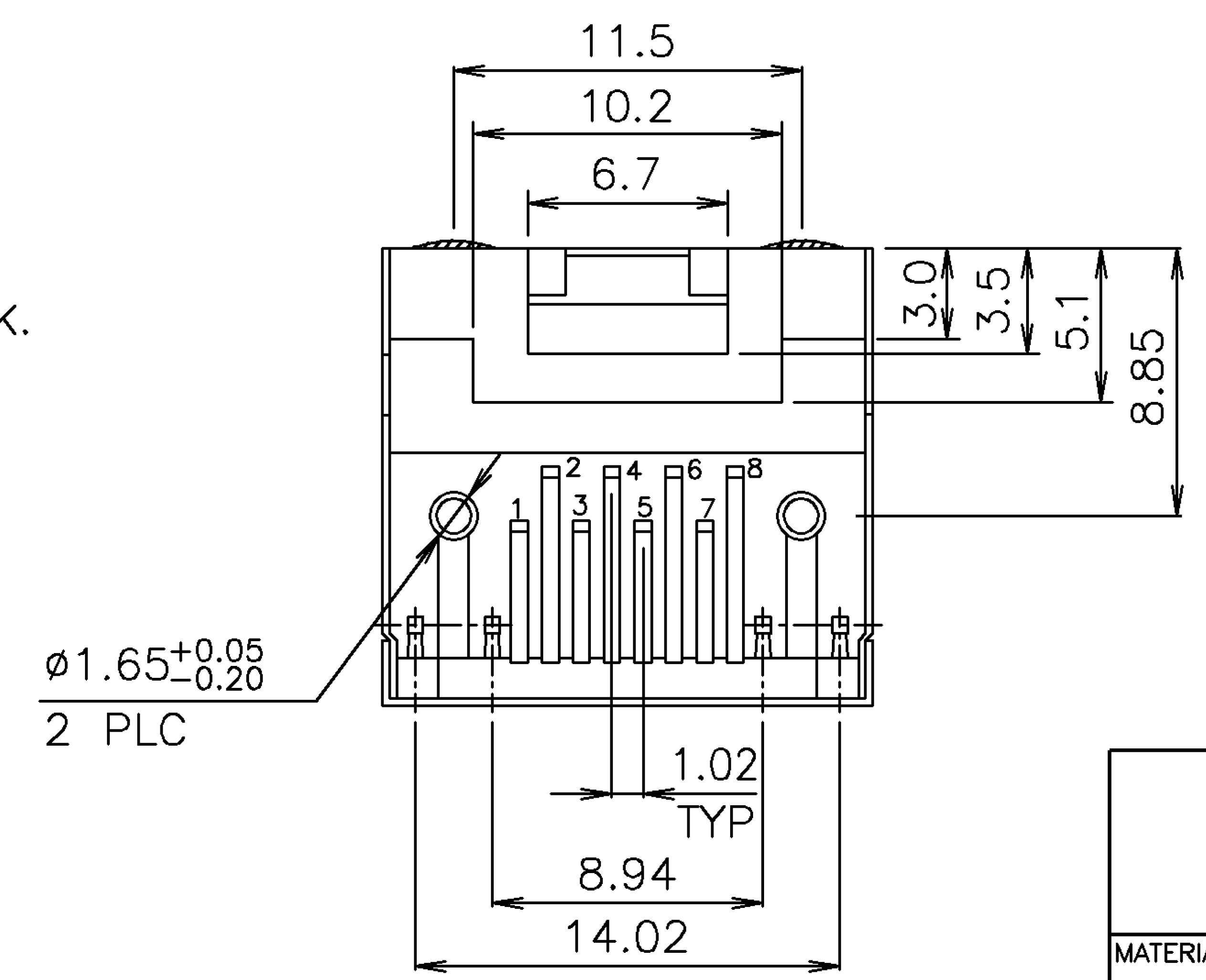


NUMBER C-1734509
 METRIC
 3RD ANGLE PROJECTION
 DIMENSIONS IN MILLIMETERS. DO NOT SCALE PRINT.
 PRINT DIST DW



RECOMMENDED PCB LAYOUT (THICKNESS: 1.6MM)
 (DIMENSION TOLERANCE: 1 PLC: ±0.1, 2 PLC: ±0.05)

- NOTE:
- MATERIAL:
 HOUSING: HIGH THERMOPLASTIC, UL94V-0, COLOR: BLACK.
 CONTACT: PHOSPHOR BRONZE, THICKNESS: 0.35mm.
 SHELL: BRASS, THICKNESS: 0.25mm.
 LED LIGHT: EPOXY RESIN, THICKNESS; 0.50mm.
 - FINISH:
 CONTACT: GOLD PLATED (SEE TABLE) IN CONTACT AREA,
 GOLD FLASH ON SOLDER TAILS,
 50u" MIN. NICKEL UNDER PLATED ALL OVER.
 SHIELD: 20u" MIN NICKEL PLATED.
 LED LIGHT: 65u" MIN. Ag PLATED.
 80u" MIN. TIN PLATED.
 - LED MUST BE REFLOW COMPATIBLE TO FOLLOWING
 TEMPERATURE PROFILE (FOR 1 CYCLE): ABOVE 160°C
 FOR 120 SECONDS, PEAKING AT 230°C FOR 6~8 SECONDS.
 - LED DEFECT RATE IS 6000 PPM MAX. AFTER IR REFLOW
 PROCESS AS NOTE 3.
 - APPLIED TO WAVE SOLDERING PROCESS
 - NET WEIGHT: 4.5g.
- ⚠ OBSOLETE PARTS: OBSOLETE CIS STREAMLINING PER
 D.RENAUD/D.SINISI

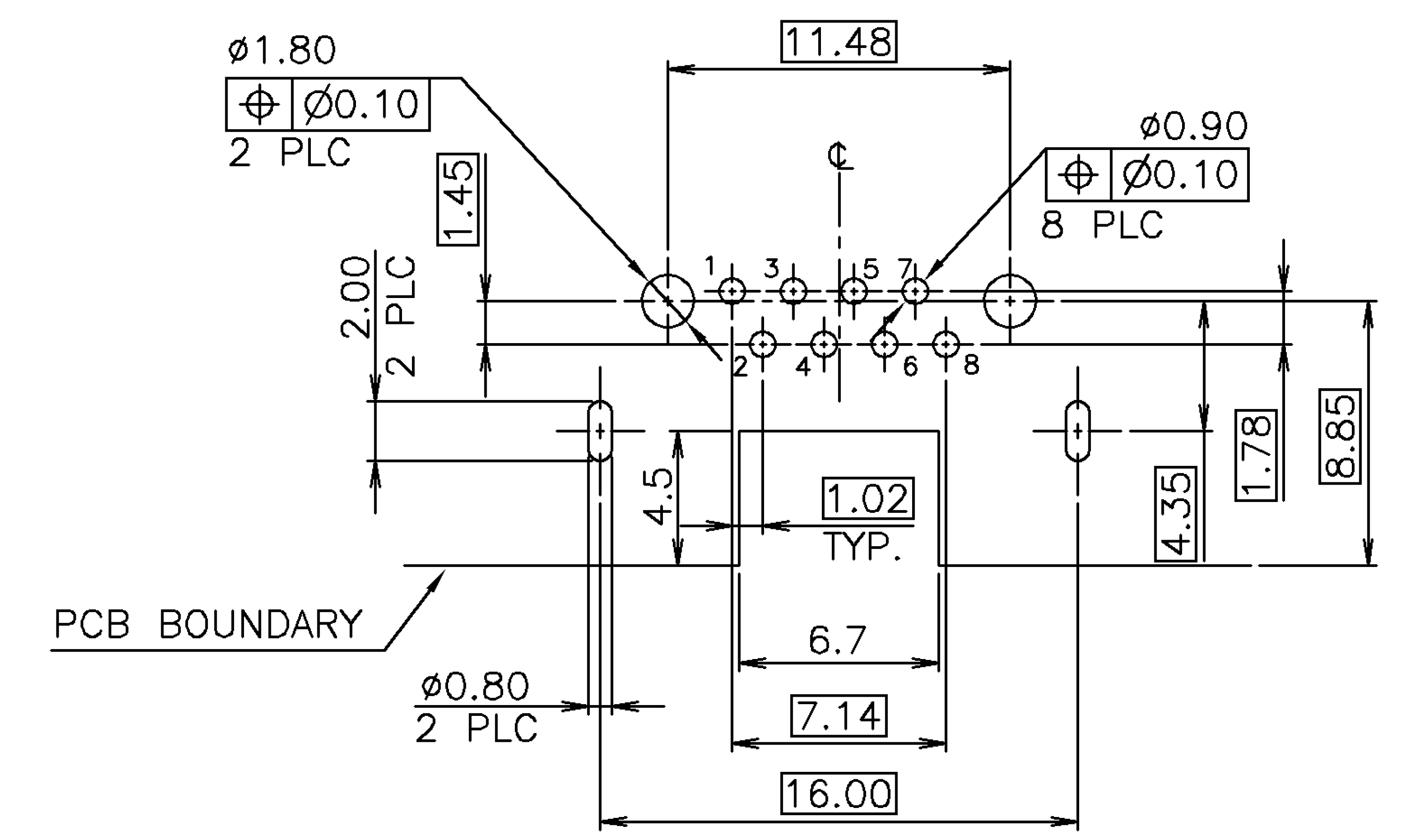
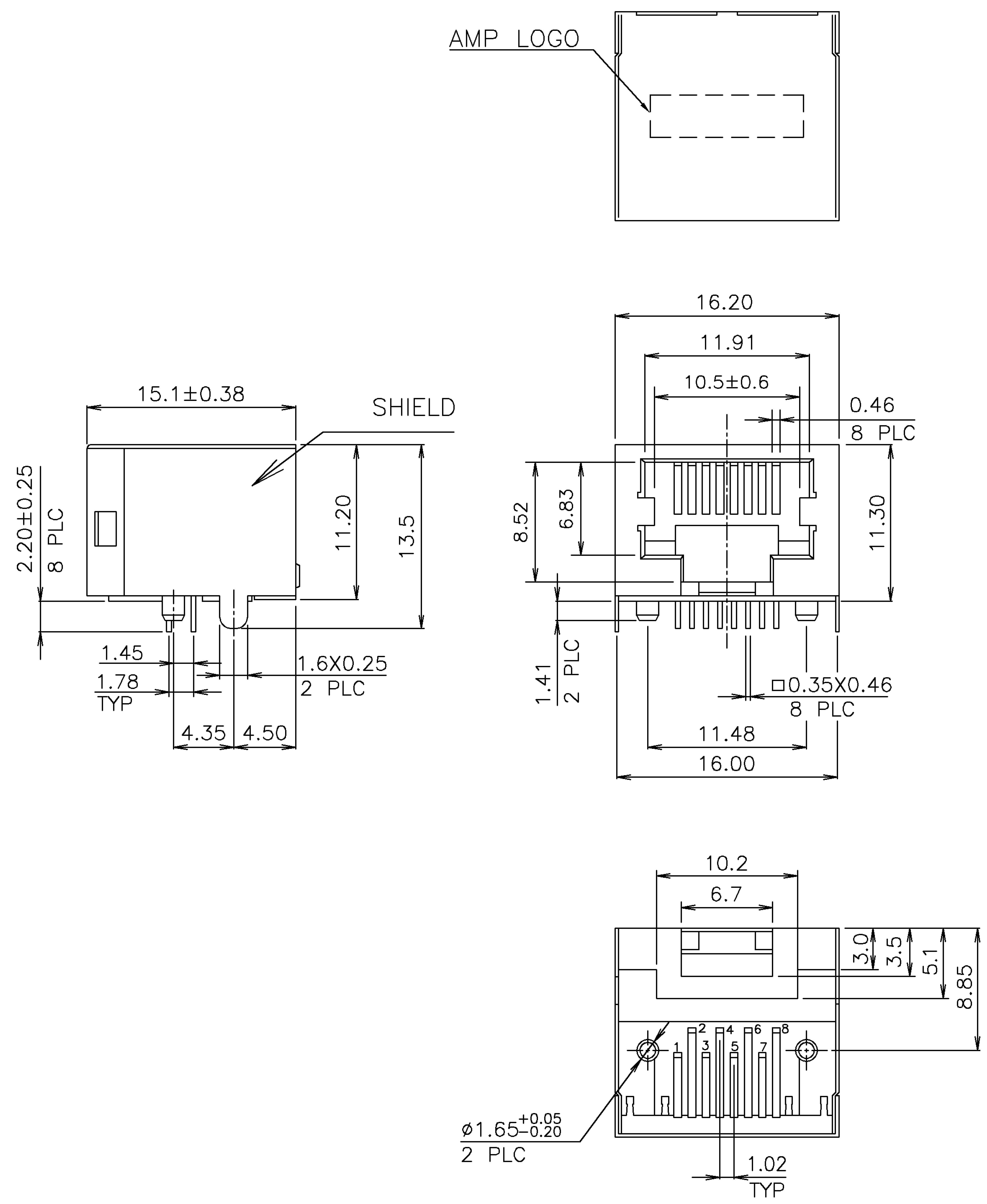


⚠ OBSOLETE	TRAY	YELLOW	GREEN	50μ"	1734509-8	
				30μ"	1734509-7	
				15μ"	1734509-6	
		⚠ OBSOLETE	GREEN	YELLOW	6μ"	1734509-5
					50μ"	1734509-4
					30μ"	1734509-3
⚠ OBSOLETE	GREEN	YELLOW	15μ"	1734509-2		
			6μ"	1734509-1		
PACKAGE	POSITION 2	POSITION 1	MIN. GOLD THICKNESS	PART NUMBER		
	INDICATOR COLOR					

DWN	O. HU		TE Connectivity
	03-OCT-2005		
CHK	S. HOU		NAME
	03-OCT-2005		
MATERIAL	APVD		MODULAR JACK RJ45 8P8C, WITH LED & SHIELD, DIP, REVERSE TYPE
	W.J. KE		
SEE NOTE	PRODUCT SPEC		LOC
	108-57527		
SEE NOTE	QUALIFICATION TEST REPORT		DRAWING NO
	501-57603		
WEIGHT	SCALE		REV

SHEET			1 OF 4

A2	REVISION RECORD	REVISOR	DATE
LTR	ECO	6APR11	



RECOMMENDED PCB LAYOUT (THICKNESS: 1.6MM)
(DIMENSION TOLERANCE: 1 PLC: ±0.1, 2 PLC: ±0.05)

- NOTE:
- MATERIAL:
HOUSING: HIGH THERMOPLASTIC, UL94V-0, COLOR: BLACK.
CONTACT: PHOSPHOR BRONZE, THICKNESS: 0.35mm.
SHELL: BRASS, THICKNESS: 0.25mm.
 - FINISH:
CONTACT: GOLD PLATED (SEE TABLE) IN CONTACT AREA,
GOLD FLASH ON SOLDER TAILS,
50u" MIN. NICKEL UNDER PLATED ALL OVER.
SHIELD: 20u" MIN NICKEL PLATED.
 - APPLIED TO WAVE SOLDERING PROCESS
 - NET WEIGHT: 4.5g.
- ⚠️ OBSOLETE PARTS: OBSOLETE CIS STREAMLINING PER D.RENAUD/D.SINISI

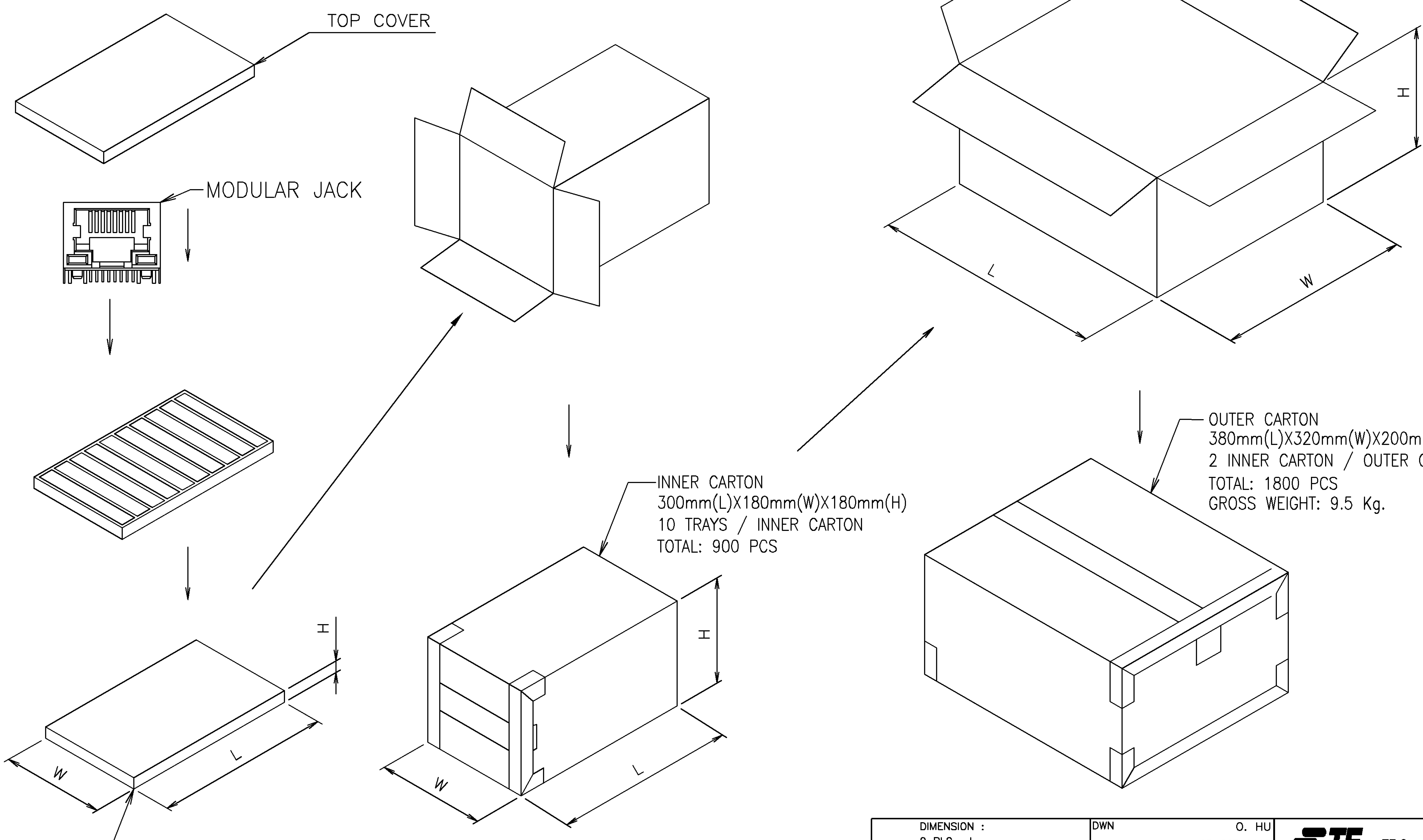
⚠️ OBSOLETE	TAPE & REEL	50μ"	1-1734509-4
		30μ"	1-1734509-3
		15μ"	1-1734509-2
		6μ"	1-1734509-1
	PACKAGE	MIN. GOLD THICKNESS	PART NUMBER

"WITH OUT LED LIGHT"

DIMENSION : 0 PLC ±0.5 1 PLC ±0.30 2 PLC ±0.20 3 PLC ±0.10 ANGLES ±3°	DWN	O. HOU	TE Connectivity NAME MODULAR JACK RJ45 8P8C, WITH LED & SHIELD, DIP, REVERSE TYPE			
	CHK	S. HOU				
MATERIAL SEE SHEET 1.	APVD	W.J. KE	LOC	SIZE	DRAWING NO	REV
	PRODUCT SPEC	108-57527	DW	A ₃	C-1734509	A2
FINISH SEE SHEET 1.	QUALIFICATION TEST REPORT	501-57603	SCALE	SHEET		
	WEIGHT			2 OF 4		

LTR	REVISION RECORD	SEE SHEET 1.	ECO	DWN	CHK	DATE
-----	-----------------	--------------	-----	-----	-----	------

NUMBER C-1734509
 METRIC
 3RD ANGLE PROJECTION
 DIMENSIONS IN MILLIMETERS. DO NOT SCALE PRINT.
 PRINT DIST DW



TRAY
 290mm(L)X170mm(W)X17mm(H)
 90 PCS/ TRAY
 TRAY MATERIAL: PET.

INNER CARTON
 300mm(L)X180mm(W)X180mm(H)
 10 TRAYS / INNER CARTON
 TOTAL: 900 PCS

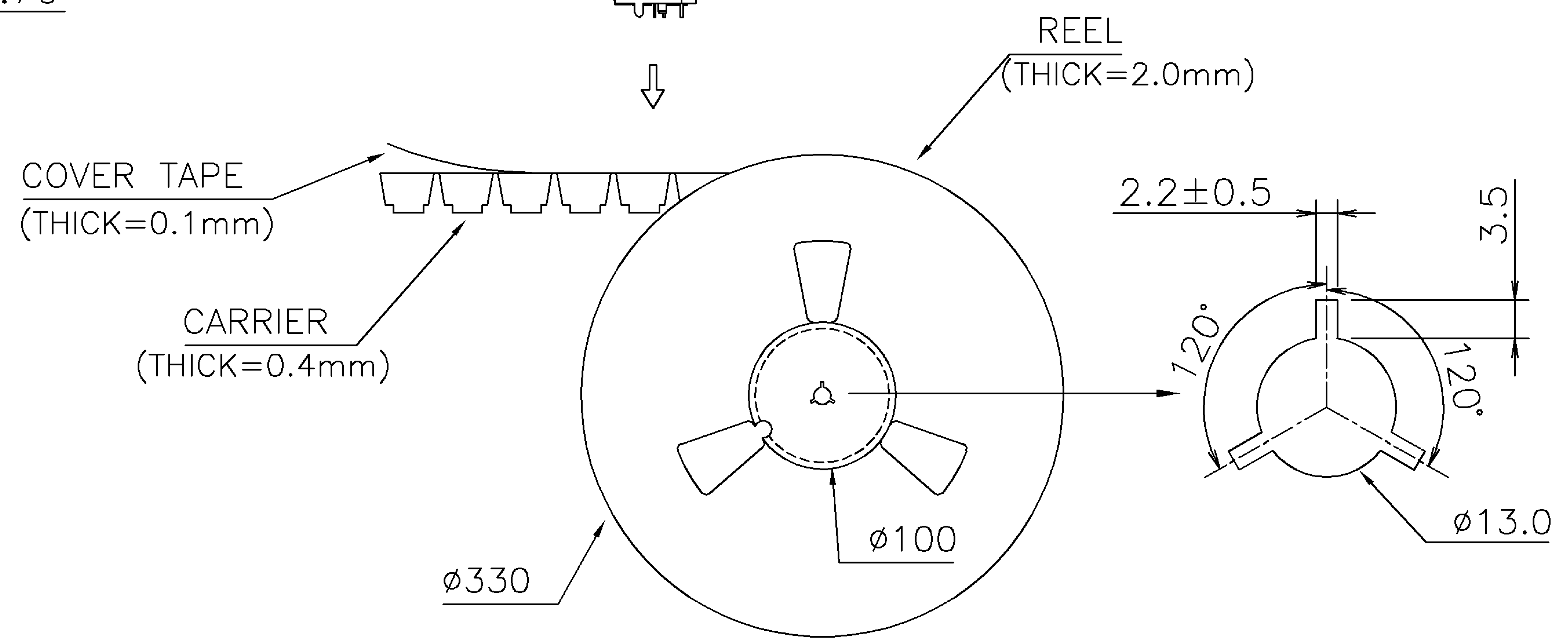
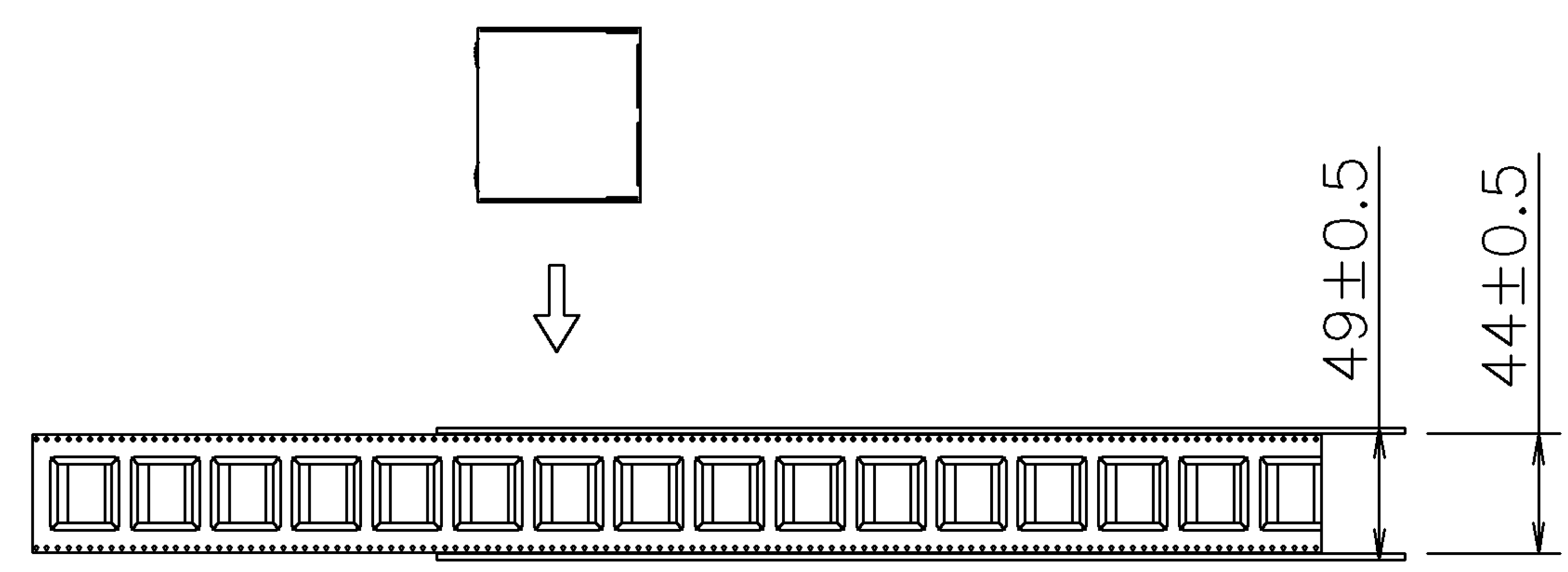
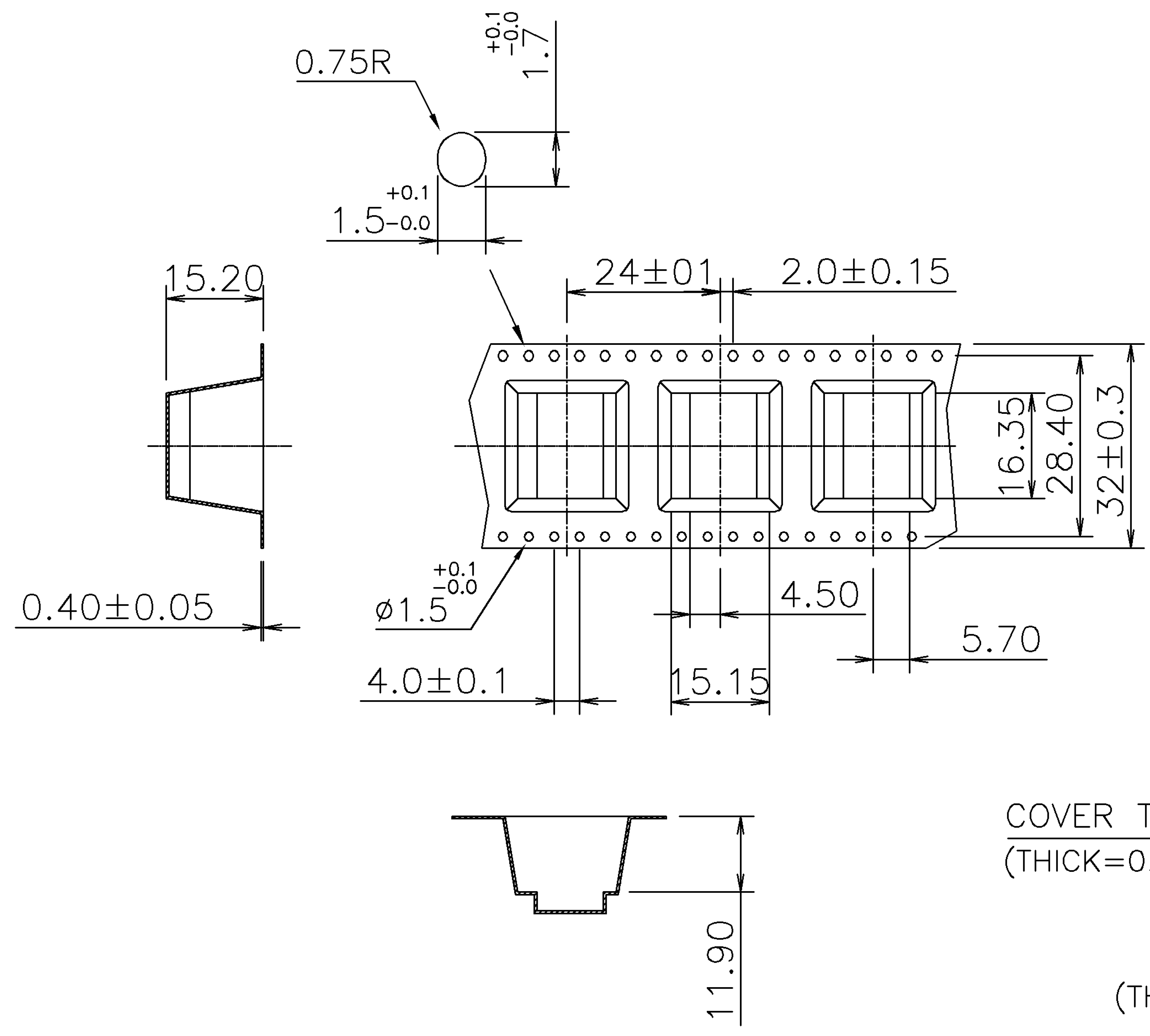
OUTER CARTON
 380mm(L)X320mm(W)X200mm(H)
 2 INNER CARTON / OUTER CARTON
 TOTAL: 1800 PCS
 GROSS WEIGHT: 9.5 Kg.

LTR	REVISION RECORD	SEE SHEET 1.	ECO	DWN	CHK	DATE
-----	-----------------	--------------	-----	-----	-----	------

DIMENSION :		DWN	O. HU	STE TE Connectivity			
0 PLC ±	1 PLC ±		03-OCT-2005				
2 PLC ±	3 PLC ±	CHK	S. HOU	NAME			
ANGLES ±			03-OCT-2005				
MATERIAL		APVD	W.J. KE	MODULAR JACK RJ45 8P8C, WITH LED & SHIELD, DIP, REVERSE TYPE			
SEE SHEET 1.		PRODUCT SPEC	03-OCT-2005				
FINISH		APPLICATION SPEC		LOC	SIZE	DRAWING NO	REV
SEE SHEET 1.		WEIGHT		DW	A ₃	C-1734509	A2
				SCALE	SHEET		
				--	3 OF 4		

CUSTOMER DRAWING

NUMBER C-1734509
 METRIC
 3RD ANGLE PROJECTION
 DIMENSIONS IN MILLIMETERS. DO NOT SCALE PRINT.
 PRINT DIST DW



NOTES:

- A. THE DIRECTION OF JACKS PUT INTO CARRIER.
- B. 10 EMPTY CAVITIES FOR BOTH OF TOP AND BOTTOM OF THE CARRIER.
- C. 180 PCS PRODUCTS BE PACKAGED ON REEL.
- D. 1440 PCS PRODUCTS BE PACKAGED ONE CARTON.
 CARTON SIZE: 345mm(L)X 345mm(W)X 315mm(H)
 TOTOAL CROSS WEIGHT: 10 Kg REF.

LTR	REVISION RECORD	SEE SHEET 1.	ECO	DWN	CHK	DATE
-----	-----------------	--------------	-----	-----	-----	------

DIMENSION : 0 PLC ± 1 PLC ± 2 PLC ± 3 PLC ± ANGLES ±		DWN O. HU 03-OCT-2005 CHK S. HOU 03-OCT-2005	TE Connectivity NAME MODULAR JACK RJ45 8P8C, WITH LED & SHIELD, DIP, REVERSE TYPE	
MATERIAL SEE SHEET 1.		APVD W.J. KE 03-OCT-2005 PRODUCT SPEC	LOC DW SIZE A ₃ DRAWING NO C-1734509 REV A2	SHEET 4 OF 4
FINISH SEE SHEET 1.		APPLICATION SPEC WEIGHT	SCALE --	SHEET 4 OF 4