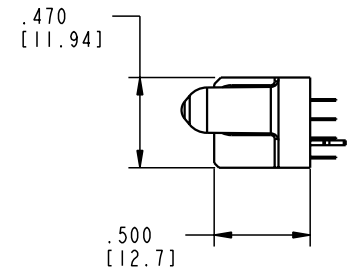
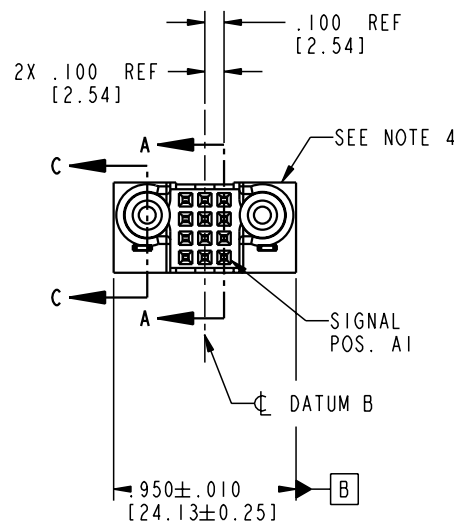


Tous droits strictement réservés. Reproduction ou communication o des liens interdite sous quelque forme que ce soit sans autorisation écrite du propriétaire. Propriete de c FCI. Droits de reproduction FCI.

All rights strictly reserved. Reproduction or issue to third parties in any form whenever is not permitted without written authority from the proprietor. Property of FCI. Copyright FCI.

PRODUCT NO.	ROWS	SIG.			
		E2	3	2	1
51940-022	D C B A				



CODE	DIM "M" MATING LENGTH	CONTACT TYPE
F	N/A [N/A]	SIGNAL
HA	N/A [N/A]	HOLD-DOWN

mat'l code				SEE NOTE 2				tolerances unless otherwise specified				CUSTOMER							
ltr	ecn no.	dr	date	linear	.XX±.01/0.X±0.3				COPY										
A	V21641	TAB	10/14/02		.XXX±.005/0.XX±0.13				projection										
					.XXX±.0020/0.XXX±0.051				INCH/MM										
					° ± °				scale										
									1:1										
sheet index		revision sheet		A	A	A	A	dr		T. BRUNGARD		10/14/02		product family		PwrBlade		code	
				1	2	3	4	enr		M. MOSTOLLER		10/14/02		size		dwg no		213	
								chr		M. MOSTOLLER		10/14/02		A		51940-022		sheet	
								appd		M. MOSTOLLER		10/14/02						1 of 4	

Pro/E 3 cage code 22526 4

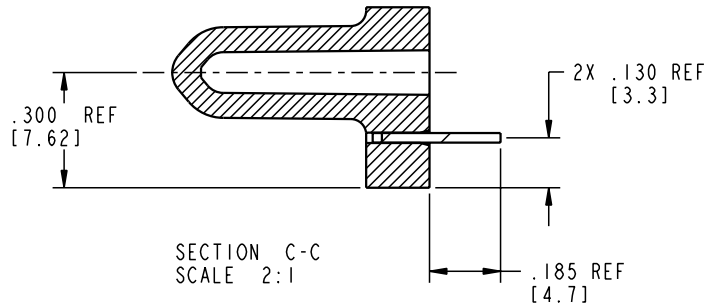
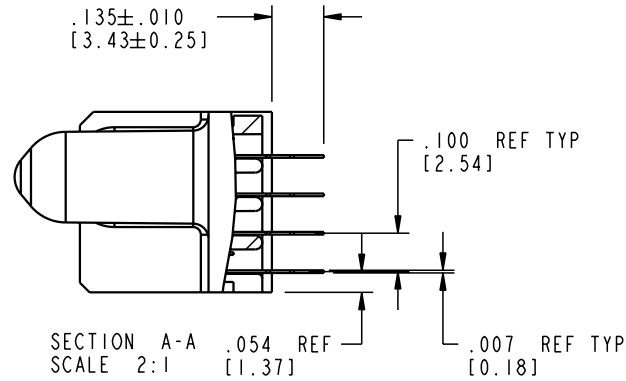
Tous droits strictement reserves. Reproduction ou communication a des tiers interdite sous quelque forme que ce soit sans autorisation écrite du propriétaire. Propriete de c FCI. Droits de reproduction FCI.


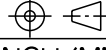
A
FCI

All rights strictly reserved. Reproduction or issue to third parties in any form whatever is not permitted without written authority from the proprietor. Property of FCI. Copyright FCI.

B

PRODUCT NUMBER
51940-022



mat'l code				SEE NOTE 2		tolerances unless otherwise specified		CUSTOMER		 www.fciconnect.com		
ltr	ecm no.	dr	date	linear	.XX ± .01/0.X ± 0.3		COPY		title			
A					.XXX ± .005/0.XXX ± 0.13		projection		12S			
					.XXXX ± .0020/0.XXX ± 0.051				VERTICAL PRESS-FIT RECEIPT			
					° ± 2°		INCH/MM		product family		code	
							scale		PwrBlade		213	
				dr	T. BRUNGARD	10/14/02	1:1		size		sheet	
				enr	M. MOSTOLLER	10/14/02			dwg no		2 of 4	
				chr	M. MOSTOLLER	10/14/02			A		51940-022	
				appd	M. MOSTOLLER	10/14/02						
sheet index		revision sheet										

Pro/E

cage code 22526

PDM: Rev:A

STATUS: **Released**

Printed: Oct 08, 2006

Tous droits strictement reserves. Reproduction ou communication a des tiers interdite sous quelque forme que ce soit sans autorisation écrite du propriétaire. Propriete de c FCI. Droits de reproduction FCI.

A
FCI

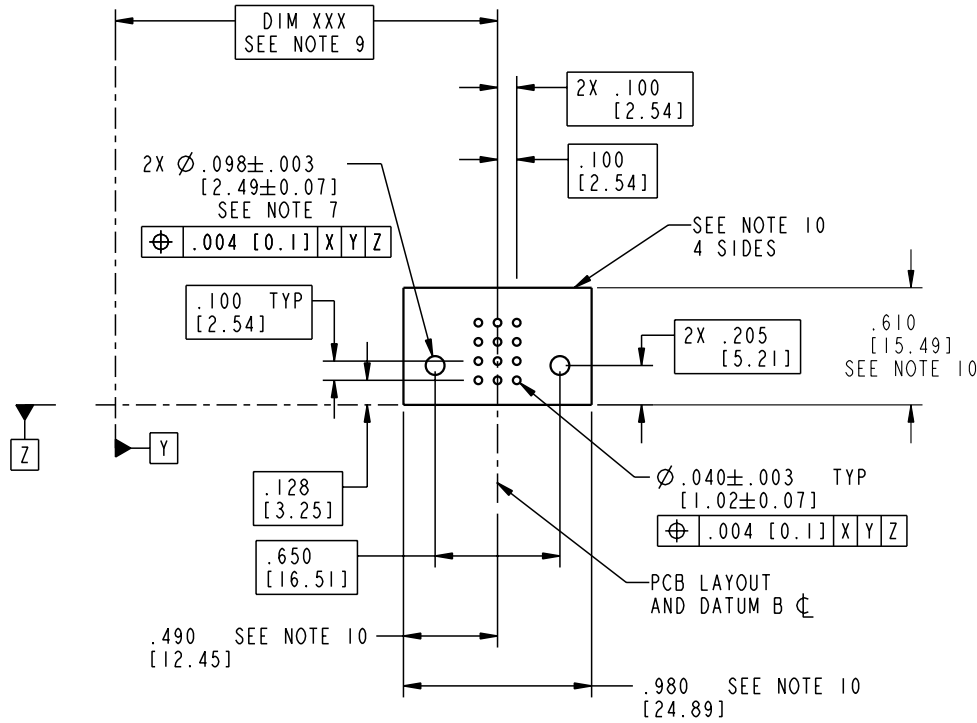
All rights strictly reserved. Reproduction or issue to third parties in any form whatever is not permitted without written authority from the proprietor. Property of FCI. Copyright FCI.


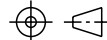

A

FCI

B

PRODUCT NUMBER
51940-022



mat'l code				SEE NOTE 2		tolerances unless otherwise specified		CUSTOMER		 www.fciconnect.com	
ltr	ecn no.	dr	date	linear	.XX ± .01/0.X ± 0.3	projection	COPY		title		
A				angles	.XXX ± .005/0.XXX ± 0.13		12S		VERTICAL PRESS-FIT RECEPT		
				dr	.XXX ± .002/0.XXX ± 0.051		INCH/MM		product family		code
				enr	0° ± 2°	scale	1:1		PwrBlade		213
				chr					size		sheet
				appd					A 51940-022		3 of 4
sheet index	revision sheet										

A

FCI

B

1 | 2

3 |

4

1 | 2

Pro/E

3 |

cage code 22526

4

Tous droits strictement réservés. Reproduction ou communication o des tiers interdite sous quelque forme que ce soit sans autorisation écrite du propriétaire. Propriété de c FCI. Droits de reproduction FCI.

A
FCI

All rights strictly reserved. Reproduction or issue to third parties in any form, whenever is not permitted without written authority from the proprietor. Property of FCI. Copyright FCI.

B

PRODUCT NUMBER
51940-022

NOTES:

1. DIMENSIONS AND TOLERANCES ARE IN ACCORDANCE WITH ASME Y14.5M, 1994 UNLESS OTHERWISE SPECIFIED.

CONNECTOR NOTES:

- ② HOUSING MATERIAL: UL 94 V-0 GLASS FILLED
HIGH-TEMP THERMOPLASTIC
POWER CONTACT MATERIAL: COPPER ALLOY
SIGNAL PIN MATERIAL: COPPER ALLOY
- 3. PLATING:
SIGNAL PINS: 30u"/0.76um Au OVER 50u"/1.27um Ni
POWER CONTACTS: 50u"/1.27um Ni UNDER ALL
WITH 30u"/0.76um Au ON CONTACT AREA
AND SnPb ON PCB INTERFACE

- ④ MANUFACTURER'S NAME, P/N, AND DATE CODE TO APPEAR ON THIS SURFACE.

5. PRODUCT SPECIFICATION GS-12-149.
APPLICATION SPECIFICATION BUS-20-067.


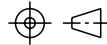
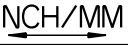
PCB NOTES:

- 6. ALL HOLE DIAMETERS ARE FINISHED HOLE SIZE.
- 7. MOUNTING HOLES, WHERE APPLICABLE, ARE UNPLATED.

- ⑧ $\varnothing .0453 \pm .0010$ [1.151 ± 0.025] DRILLED HOLES PLATED WITH
.0003 [0.008] MIN SnPb OVER .001 [0.03]
TO .003 [0.08] Cu PLATING TO ACHIEVE
 $\varnothing .040 \pm .003$ [1.02 ± .07] HOLE.

- ⑨ "DIM XXX" TO BE DETERMINED BY THE CUSTOMER.

- ⑩ CONNECTOR KEEP-OUT ZONE.

mat'l code				SEE NOTE 2		tolerances unless otherwise specified		CUSTOMER		 www.fciconnect.com	
ltr	ecn no.	dr	date	linear	.XX±.01/0.X±0.3		COPY		 title 12S VERTICAL PRESS-FIT RECEPT		
A					.XXX±.005/0.XX±0.13		projection				
				angles	.XXXX±.0020/0.XXX±0.051		 product family PwrBlade code 213		size dwg no A 51940-022 sheet 4 of 4		
					° ± °						
				dr	T. BRUNGARD	10/14/02	INCH/MM scale 1:1		sheet index revision sheet		
				enr	M. MOSTOLLER	10/14/02					
				chr	M. MOSTOLLER	10/14/02					
				appd	M. MOSTOLLER	10/14/02					
sheet index		revision sheet									

A

B

1 | 2

3 |

4

1 | 2

Pro/E

3 |

cage code 22526

4