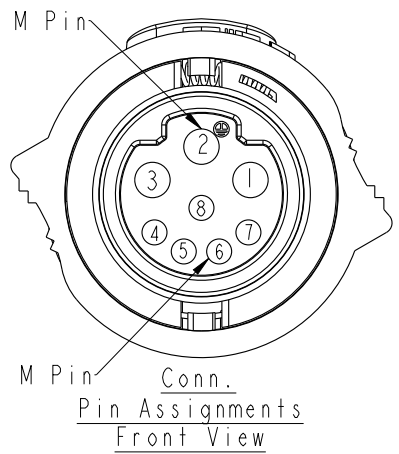
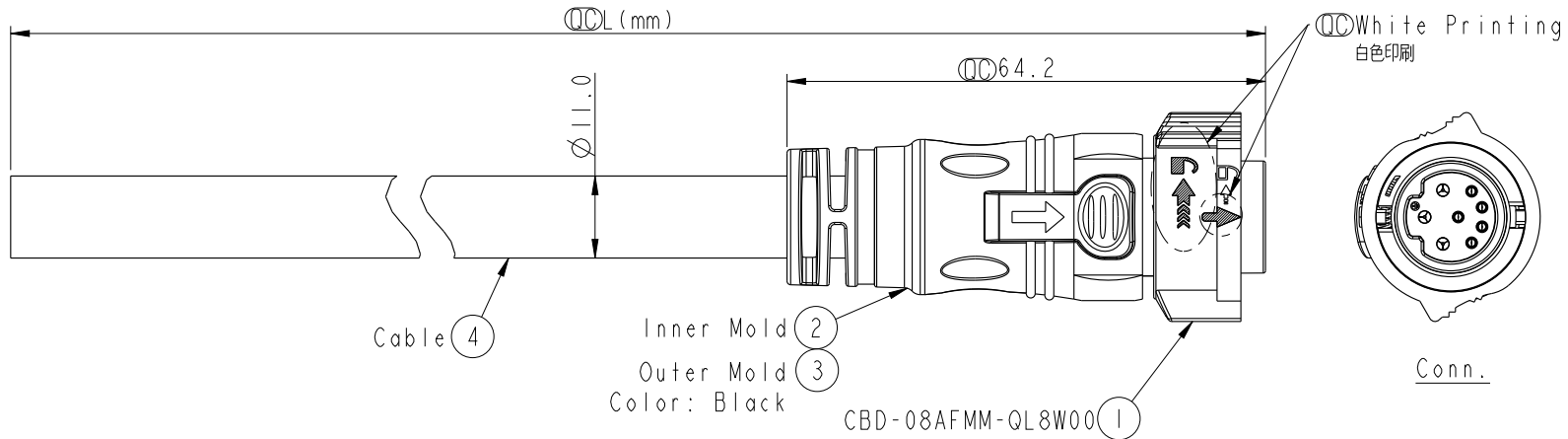
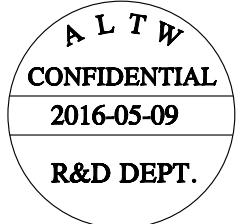


THIS DOCUMENT IS SUBJECT TO CHANGE WITHOUT NOTICE. IT IS CONFIDENTIAL AND A PROPERTY OF Amphenol LTW. DISCLOSURE TO THIRD PARTY HAS TO BE AUTHORIZED BY Amphenol LTW.

REV.	ECN NO.	DATE	SIGN	DESCRIPTION
A	Initial Release	2016-05-09	Spring	Change Rev.01 To Rev.A



8	Drain (26AWG)	地線	Twist 對線
7	Blue (26AWG)	藍	
6	Red (26AWG)	紅	
5	Green (26AWG)	綠	
4	White (26AWG)	白	Twist 對線
3	Black (16AWG)	黑	
2	Green (16AWG)	綠	Twist 對線
1	White (16AWG)	白	
Conn.	Wire Color		
Pin Out			

CBD-08AFMM-QL8FXX
 ↑
 XX : 01~99Meters
 01 : 01Meter
 02 : 02Meters
 :
 :
 99 : 99Meters
 Cable Length(L): 01~99Meters

- Note:
- * \varnothing Important Dimension To Check.
 - * Waterproof Rate: IP68(Mated, 1M/24hr)
 - * Working Voltage Rating:
Power AC/DC 300V
Data DC 30V
 - * Working Current:
Power: 10A
Data: 05A
 - * Housing: Nylon+GF, Black
 - * Pins: Copper Alloy, Gold & Ni Plated
 - * Cable: UL21996 3C*16AWG+(26#*2P+D+AL)+F+AL/MY, PVC Jacket, OD=11.0, Black.
 - * Cable Length Tolerance: 01M:±40mm
02M~05M:±60mm
06M~10M:±100mm
11M~30M:±200mm
31M~99M:±500mm

UNIT:mm
 TOLERANCE ±0.5

TITLE X-Lok C Size Cable Molding 8 Pin F Connector M Pin			
SCALE 1:1	SIZE A4	SHEET 1 OF 1	
REV. A	WC-REV. A.1	\varnothing : Inspection item	

Amphenol LTW
 安費諾亮泰企業股份有限公司

ITEM NO	DRAWN BY Spring	DATE 2016-05-09
DWG NO CBD-08AFMM-QL8FXX	CHECKED BY Fisher	DATE 2016-05-09
CUSTOMER ALTW	APPROVED BY Kevin	DATE 2016-05-09