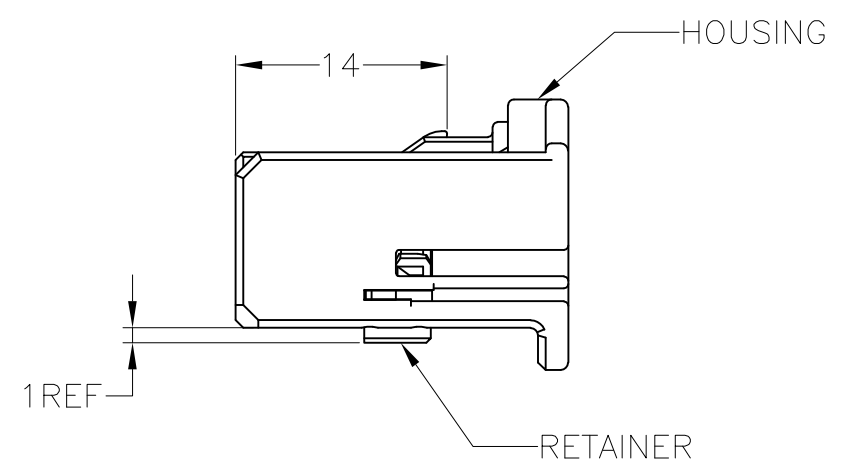
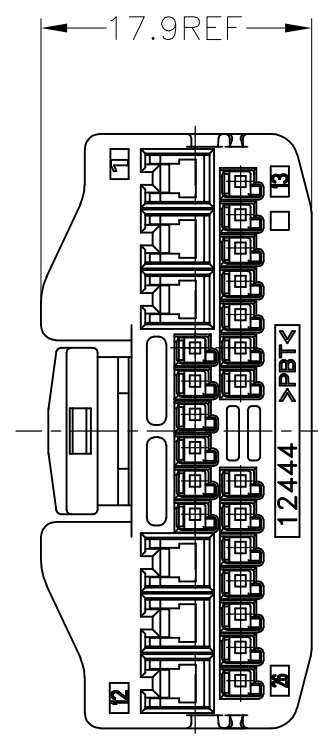
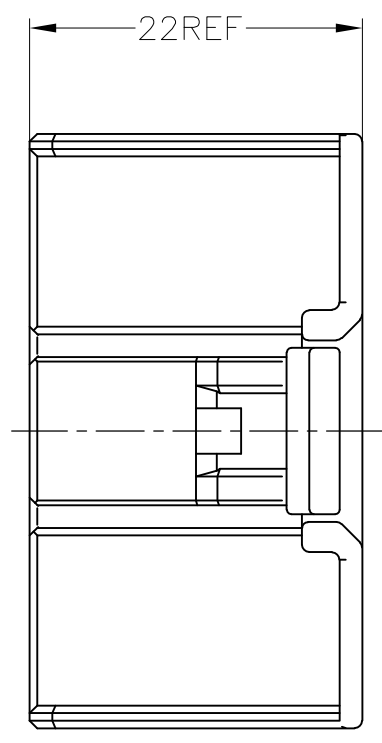
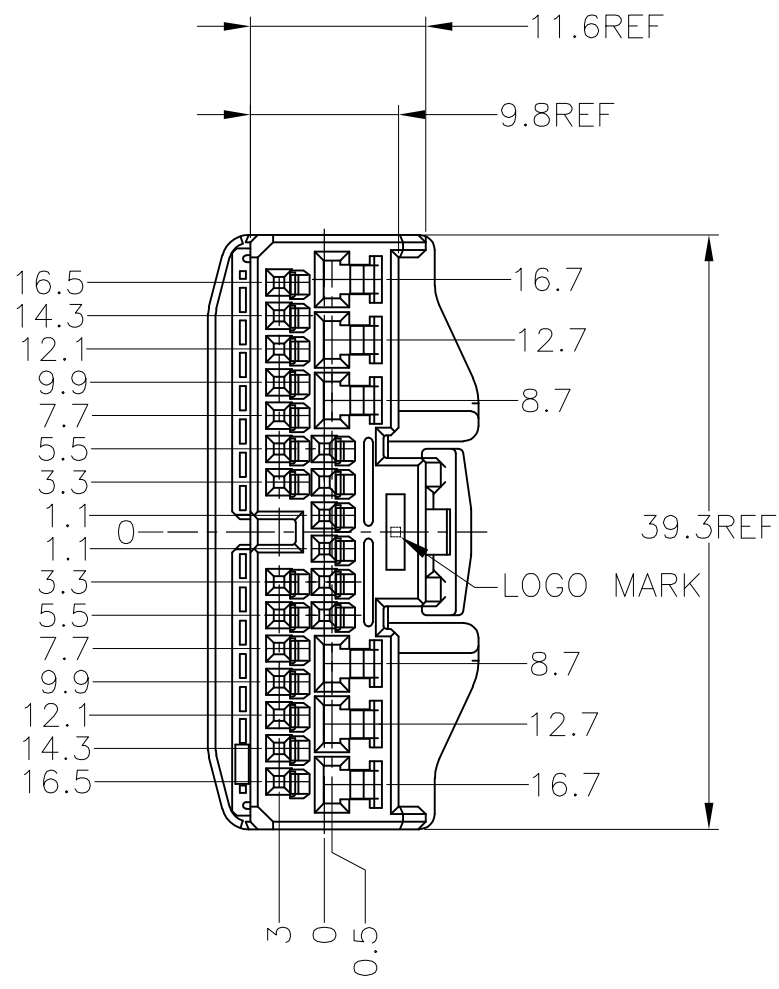


THIS DRAWING IS UNPUBLISHED. RELEASED FOR PUBLICATION
 © COPYRIGHT - By Tyco Electronics Japan G.K. ALL RIGHTS RESERVED.

LOC	DIST	REVISIONS					
J	/	P	LTR	DESCRIPTION	DATE	DWN	APVD
			A2	REVISED	ECR-15-007236	15MAR2015	KY TK



- 1.RETAINER SHOULD BE SENT TO THE PRE-ASSEMBLY POSITION WITHIN THE PLUG HOUSING WHEN SHIPPED TO THE CUSTOMER
- 2.INSTRUCTION SHEET NO.411-78080
- 3.PART NUMBER OF CAP HOUSING TO BE MATED; SEE TABLE-1
- 4.APPLIED TERMINALS; SEE TABLE-2

- 1.プラグハウジングにリテーナを仮係止して出荷される
- 2.取扱説明書NO.411-78080
- 3.嵌合相手型番; TABLE-1参照
- 4.適用端子; TABLE-2参照

TABLE-1

POS 極数	CAP ASSEMBLY PART NO キャップ 型番
26	1376357

SEE DRAWING 1674932-3			1674932-3
PAPER BOX ダンボール	PLASTIC BAG ビニール袋	BLACK	1674932-2
PAPER BOX ダンボール	PLASTIC BAG ビニール袋	NATURAL	1674932-1
OUTER 外装	INNER 内装	COLOR	PART NUMBER
PACKING STYLE 梱包形態			

TABLE-2

		TERMINAL NO 端子型番	APPLICABLE WIRE RANGE 適用電線
SIGNAL 0.64 III	TIN	1674311-1	AVSS/CAVS/CAVUS/AVSSH-f 0.3~0.5mm ²
	SELECTIVE GOLD	1674311-2	

THIS DRAWING IS A CONTROLLED DOCUMENT.

DIMENSIONS: 単位: 耗 mm	TOLERANCES UNLESS OTHERWISE SPECIFIED: 一般公差 ±0.3	DWN S.AMEMIYA 28JAN04				
	0-PLC ± 1-PLC ± 2-PLC ± 3-PLC ± 4-PLC ± ANGLES ±3°	CHK H.YAMAGAMI 28JAN04			NAME K.ASAI	
		APVD K.ASAI 28JAN04			PRODUCT SPEC 製品規格 108-5953	
		APPLICATION SPEC 取付適用規格 114-5329				
MATERIAL 材料 PBT	FINISH 仕上 SEE TABLE	WEIGHT 6.3g	SIZE A3	CAGE CODE 00779	DRAWING NO 番号 C-1674932	RESTRICTED TO -

CUSTOMER DRAWING

SCALE 尺度 2:1 SHEET 1 OF 1 REV A2