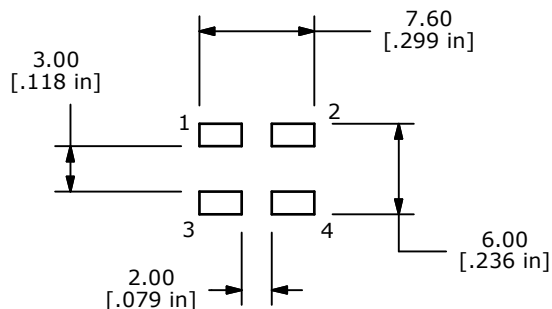
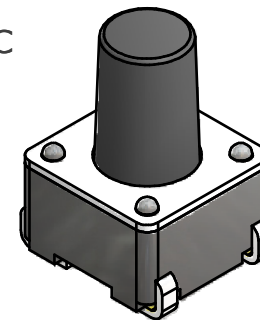
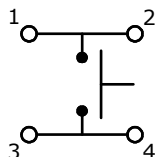
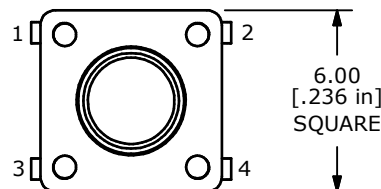


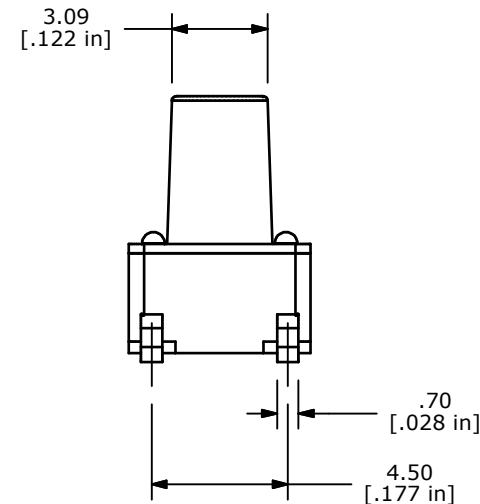
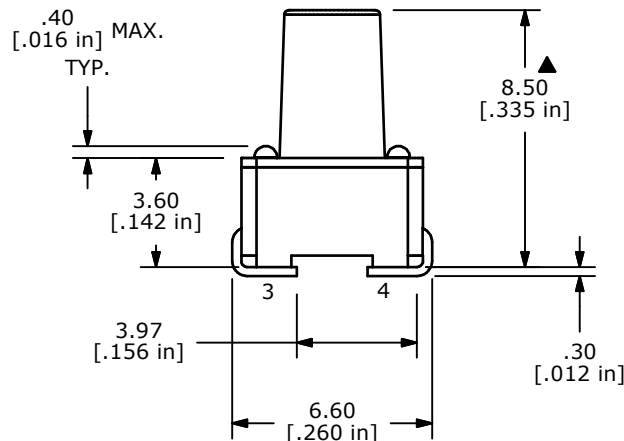
ISOMETRIC



P.C.B. LAYOUT



CIRCUIT DIAGRAM



NOTES:

1. ALL DIMENSIONS IN MM
2. GENERAL TOLERANCE: X.X=±0.4
X.XX=±0.25
3. TERM. NOS. FOR REFERENCE ONLY.
4. RATING: 50mA @ 12VDC
- ▲ 5. OPERATING FORCE: 160 ± 50 gf
6. TRAVEL: 0.25 +0.2 / -0.1 mm
7. CONTACT RESISTANCE: 100 Milli-OHMS MAX. (INITIAL)
8. LIFE EXPECTANCY: 80,000 CYCLES
- ▲ 9. SILVER CONTACTS
- ▲ 10. PACKAGE: TAPE AND REEL, 650 PCS PER REEL
11. ▲ DENOTES CRITICAL PARAMETER
12. 2002/95/EC (ROHS) COMPLIANT



TITLE TL3301PF160QJ

A	18659	Release For Production	10/8/09	BLR
REV	PCR NO	DESCRIPTION	DATE	BY

SCALE	DATE	DR	DWG	REV
4:1	10/8/2009	BLR	P010655	A

THE INFORMATION CONTAINED IN THIS DOCUMENT IS PROPRIETARY TO E-SWITCH AND IS NOT TO BE COPIED OR TRANSFERRED