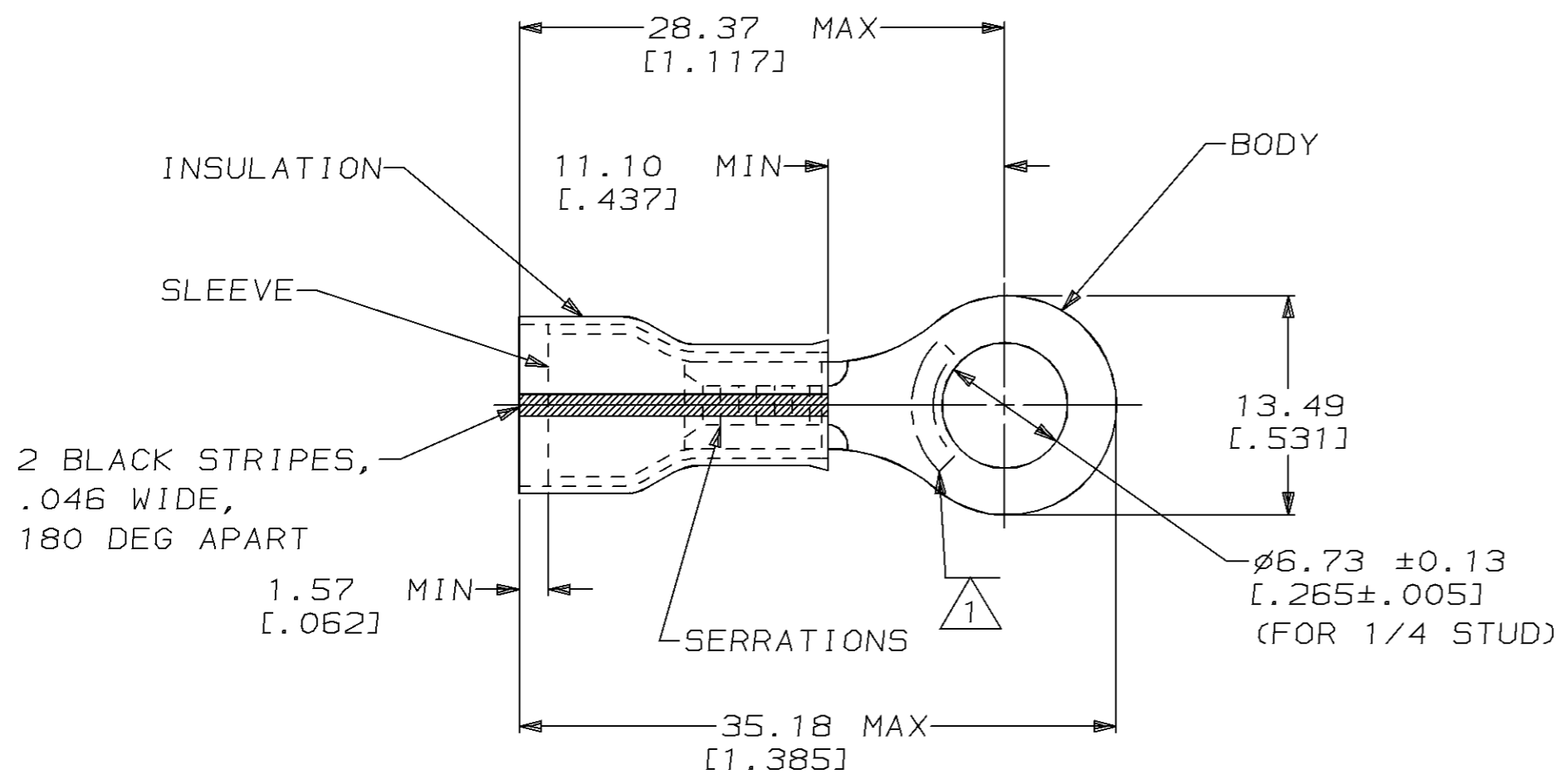


THIS DRAWING IS UNPUBLISHED. RELEASED FOR PUBLICATION ,19 .
 © COPYRIGHT 19 BY AMP INCORPORATED. ALL RIGHTS RESERVED.

LOC	DIST	REVISIONS			
P	LTR	DESCRIPTION	DATE	DWN	APVD
G	14	G	REV & REDRAW / 0720-0603-95	100CT95	MLE NB

AMP WIRE RANGE	E13288	LR7189 Certified
16-14 AWG SOLID OR STRANDED	16-14 AWG SOLID OR STRANDED	16-14 AWG SOLID OR STRANDED



- △ STAMP AMP 16-14 HD* APPROX AS SHOWN
- 2. WIRE INSULATION DIA, 4.32-7.62 [.170-.300]
- 3. TONGUE MATERIAL THK, 1.22±0.05 [.048±.002]

---	-----	-----
50	LOOSE PIECE, BOX	8-35362-2
500	LOOSE PIECE	35362
QTY	PACKAGE TYPE	PART NO

AMP INCORPORATED CUSTOMER SERVICE SYSTEM		MAX RECOMMENDED OPERATING TEMPERATURE: 105° C [221°F]	THIS DRAWING IS A CONTROLLED DOCUMENT FOR AMP INCORPORATED. IT IS SUBJECT TO CHANGE AND THE CONTROLLING ENGINEERING ORGANIZATION SHOULD BE CONTACTED FOR THE LATEST REVISION.		DWN M ELLIS 17APR95	AMP AMP Incorporated Harrisburg, PA 17105-3608
FOR ADDITIONAL PRODUCT INFORMATION OR COPIES OF DRAWINGS AND TECHNICAL DOCUMENTS	PRODUCT INFORMATION CENTER 1-800-522-6752		DIMENSIONS: mm [in]	TOLERANCES UNLESS OTHERWISE SPECIFIED:	CHK C PRESNELL 17APR95	
FOR APPLICATION TOOLING INFORMATION	TOOLING ASSISTANCE CENTER 1-800-722-1111	VOLTAGE RATING: 300V MAX		0 PLC ±-	1 PLC ±-	NAME TERMINAL, RING TONGUE, PIDG™, WIRE SIZE, 16-14HD AWG
FOR ORDER ENTRY	1-800-526-5142	CIRCULAR MIL AREA: 1.04mm²-2.63mm² [2050-5180]		2 PLC ±0.20 [.008]	3 PLC ±-	APPLICATION SPEC UL 486A
			MATERIAL BODY, SLV, COPPER PER ASTM B 152	4 PLC ±-	4 PLC ±-	FINISH BODY & SLV, TIN PLATE PER MIL-T-10727
			INSUL, PVC, COLOR, YELLOW	WEIGHT -		SIZE A3
				CUSTOMER DRAWING		CAGE CODE 00779
						DRAWING NO C-35362
						SCALE 4:1
						SHEET 1 OF 1
						REV G