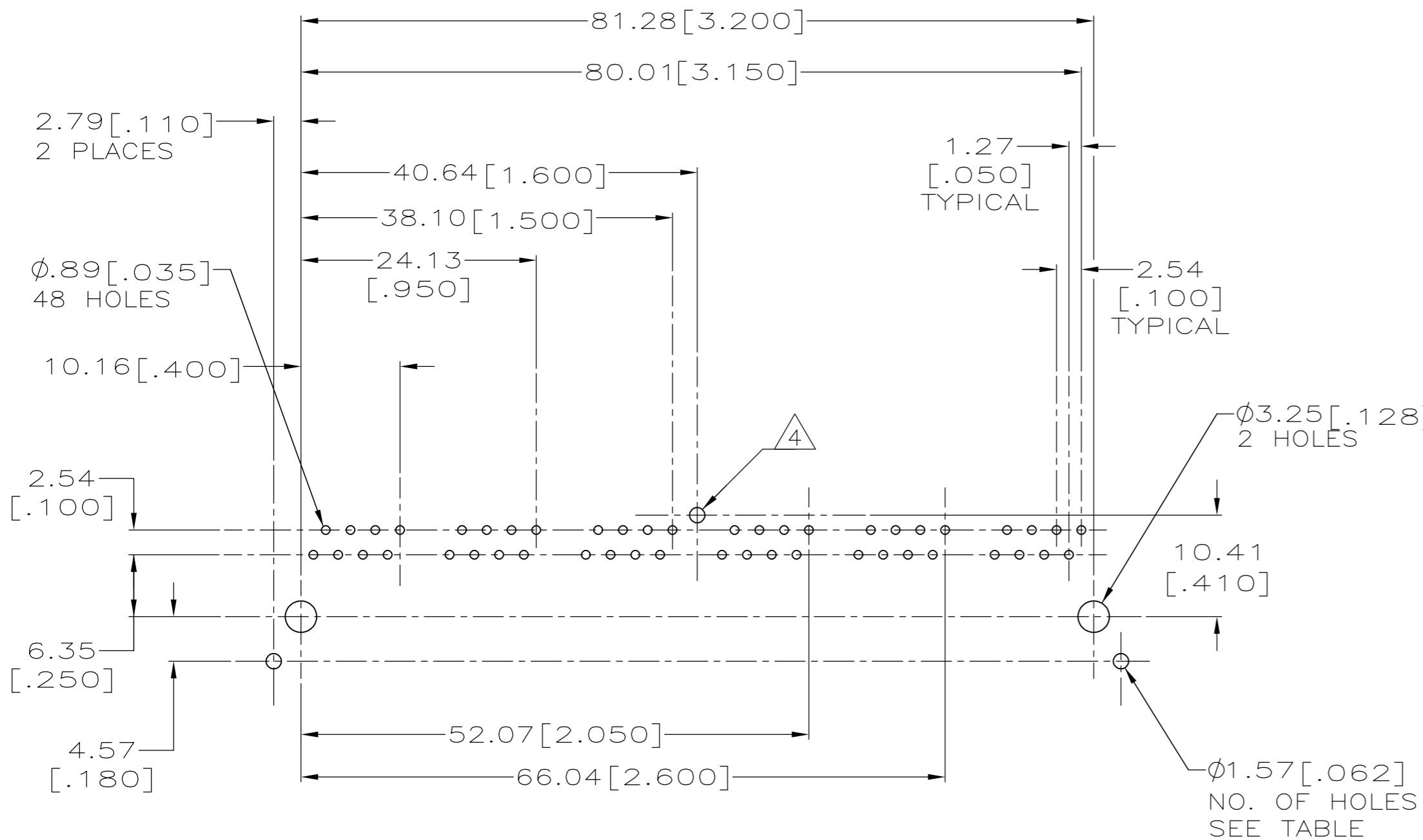
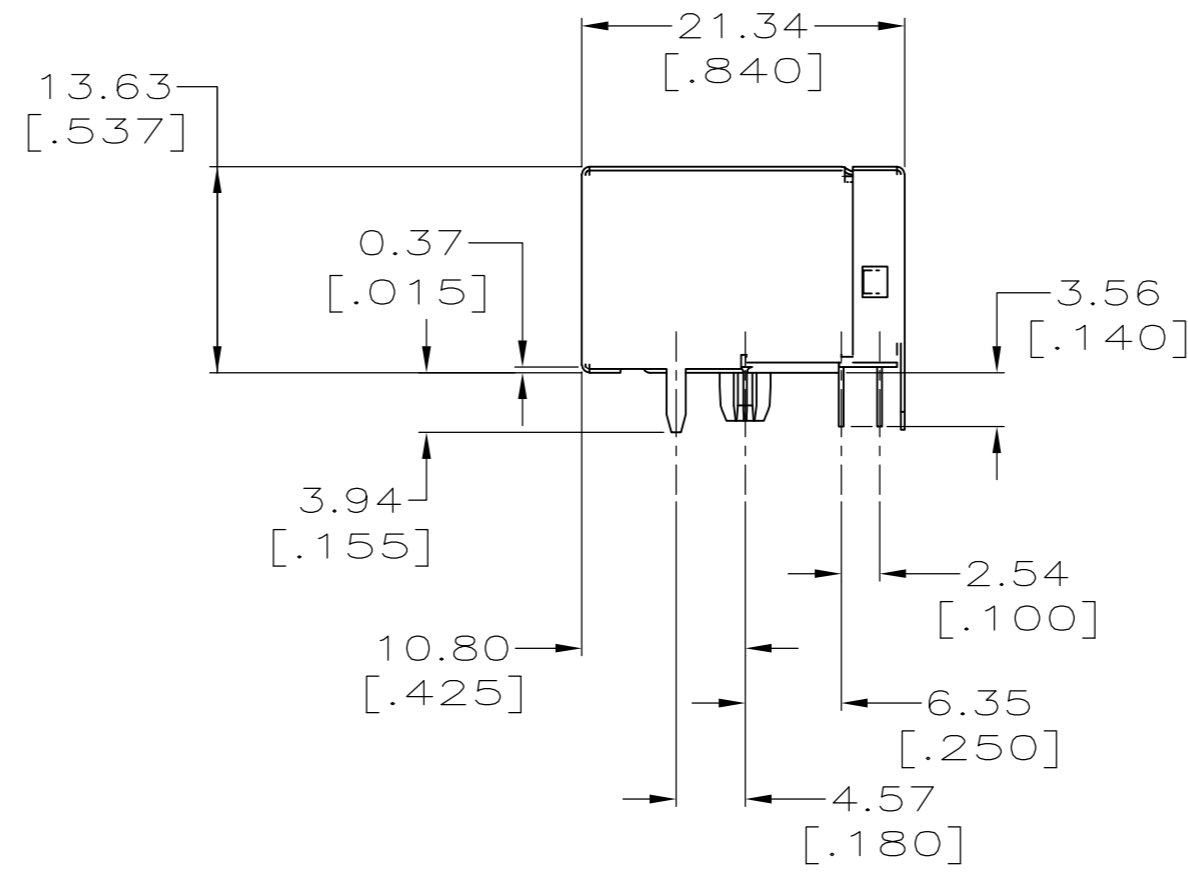
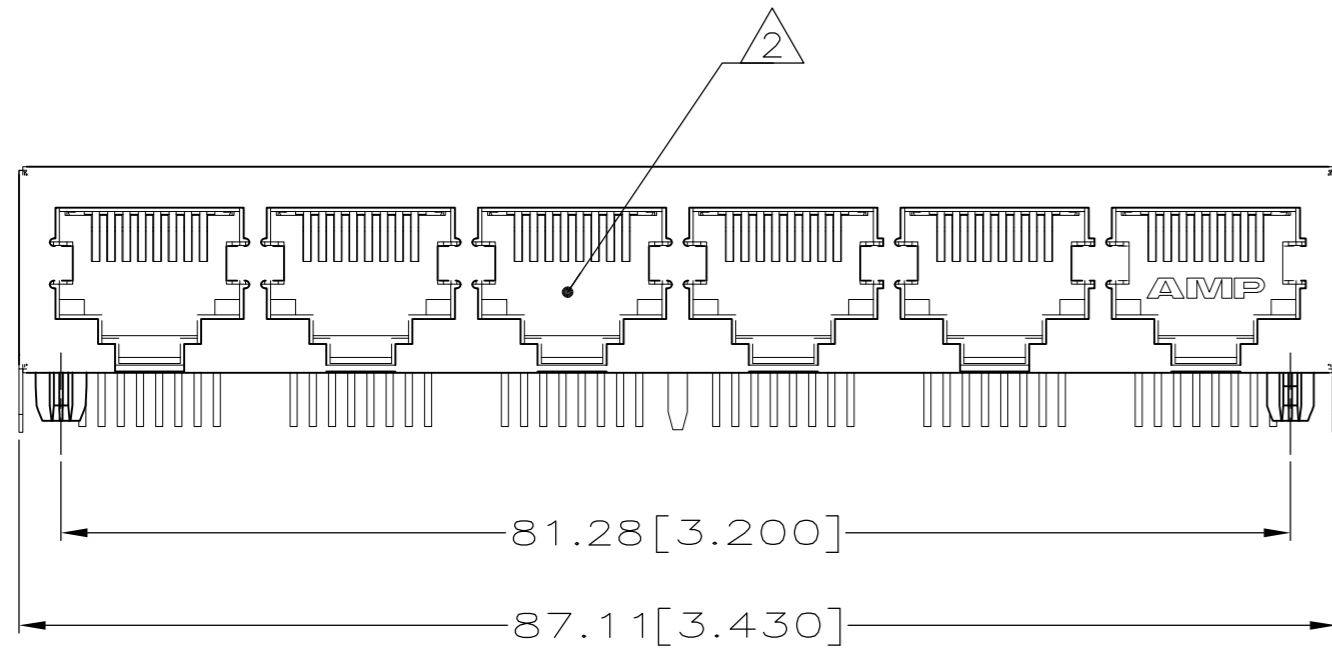


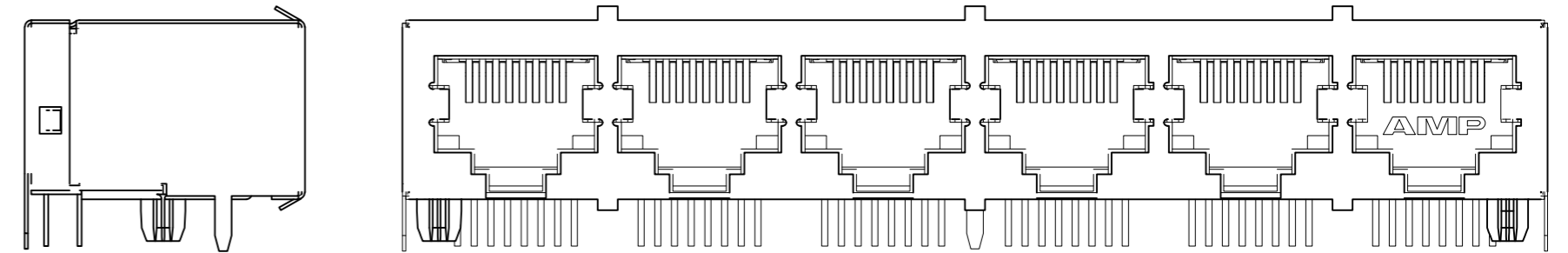
THIS DRAWING IS UNPUBLISHED. RELEASED FOR PUBLICATION  
 © COPYRIGHT BY TYCO ELECTRONICS CORPORATION. ALL RIGHTS RESERVED.

LOC	DIST	REVISIONS					
		P	LTR	DESCRIPTION	DATE	DWN	APVD
AA	22	A1		REVISED ECR-08-031628	04DEC08	AZ	SY
		A2		REVISED PER ECO-10-000444	19JAN10	KK	HMR



SUGGESTED PC BOARD LAYOUT  
 COMPONENT SIDE  
 SEE APPLICATION SPECIFICATION

- ⚠ MATERIAL: HOUSING—PCT POLYESTER, BLACK, IR COMPATIBLE, UL 94V-0. TERMINALS—.013 [0.33] THICK PHOS BRONZE PLATED WITH .000050 [1.27  $\mu$ m] THICK HARD GOLD IN LOCALIZED AREA AND .000150 [3.81  $\mu$ m] THICK MATTE TIN IN SOLDER AREA OVER .000050 [1.27  $\mu$ m] THICK NICKEL UNDERPLATE. SHIELDS - 0.254 [.010] THICK COPPER ALLOY PLATED WITH 1.27  $\mu$ m [.000050] MINIMUM NICKEL AND 2.03  $\mu$ m [.000080] MINIMUM HOT TIN DIP ON PCB GROUND TABS.
- ⚠ JACK CAVITY COMFORMS TO FCC RULES AND REGULATIONS, PART 68 SUBPART F.
- 3. ALL DIMENSIONS SHOWN ARE NOMINAL UNLESS OTHERWISE SPECIFIED.
- ⚠ THIS HOLE IS REQUIRED FOR 5557572-1 AND 5557572-3.
- ⚠ OBSOLETE PARTS: OBSOLETE CIS STREAMLINING PER D.RENAUD/D.SINISI



VIEW APPLIES TO 5557572-3 ONLY

OBSOLETE	MATERIAL	NO. OF HOLES	DESCRIPTION	PART NUMBER
⚠	⚠	2	2 GROUND TABS	5557572-2
⚠	⚠	3	3 GROUND TABS	5557572-1

THIS DRAWING IS A CONTROLLED DOCUMENT.		DWN 15JUN2005 G. ATTADIA - DCOK5	Tyco Electronics Corporation Harrisburg, PA 17105-3608	
DIMENSIONS: mm[inches]	TOLERANCES UNLESS OTHERWISE SPECIFIED:	CHK 15JUN2005 J. WESTMAN	APVD 15JUN2005 S. FLICKINGER	NAME
0 PLC ± -	1 PLC ± -	PRODUCT SPEC		
2 PLC ± 0.25[.01]	3 PLC ± 0.13[.005]	APPLICATION SPEC		
4 PLC ± -	ANGLES ± -	108-1392		
FINISH	FINISH	114-2048		
MATERIAL	FINISH	WEIGHT	SIZE	CAGE CODE
⚠	⚠	-	A2	00779
CUSTOMER DRAWING		SCALE	DRAWING NO	RESTRICTED TO
		2:1	C=5557572	-
		SHEET	REV	
		1 OF 1	A2	

5557572