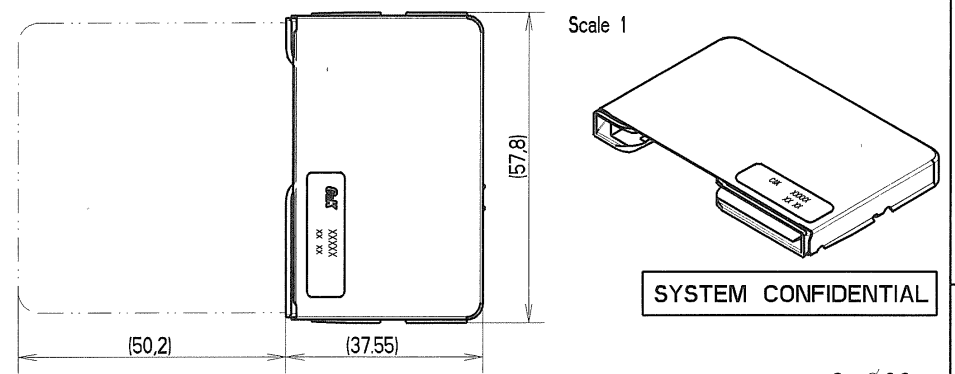
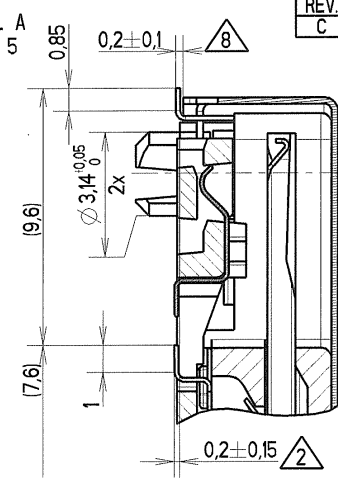
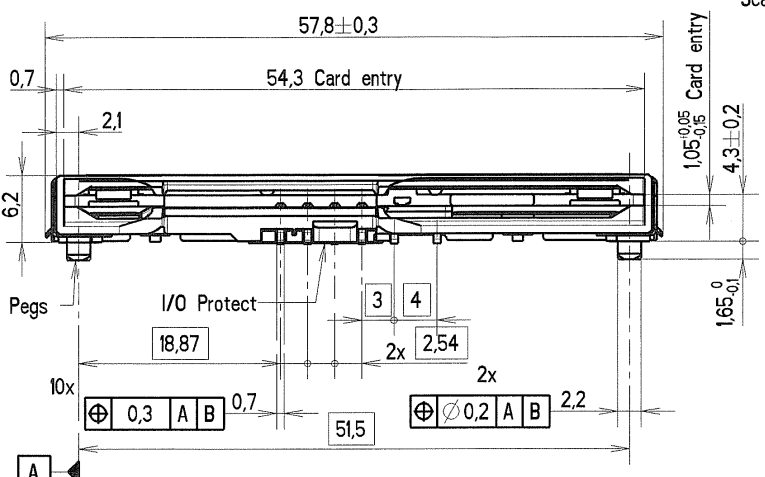
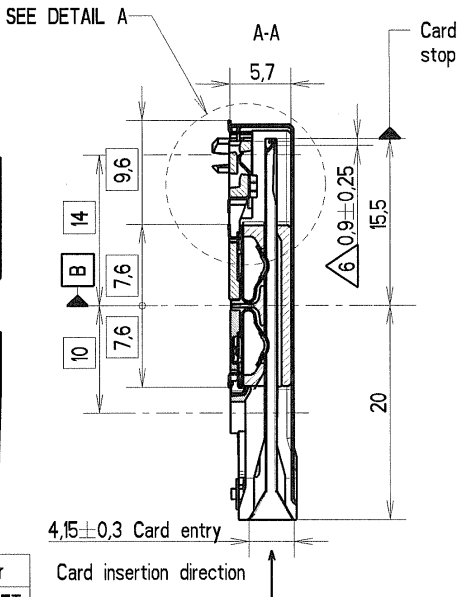
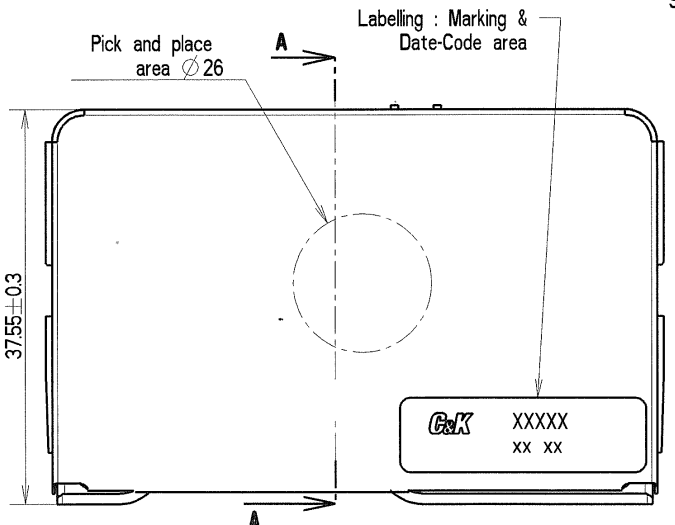
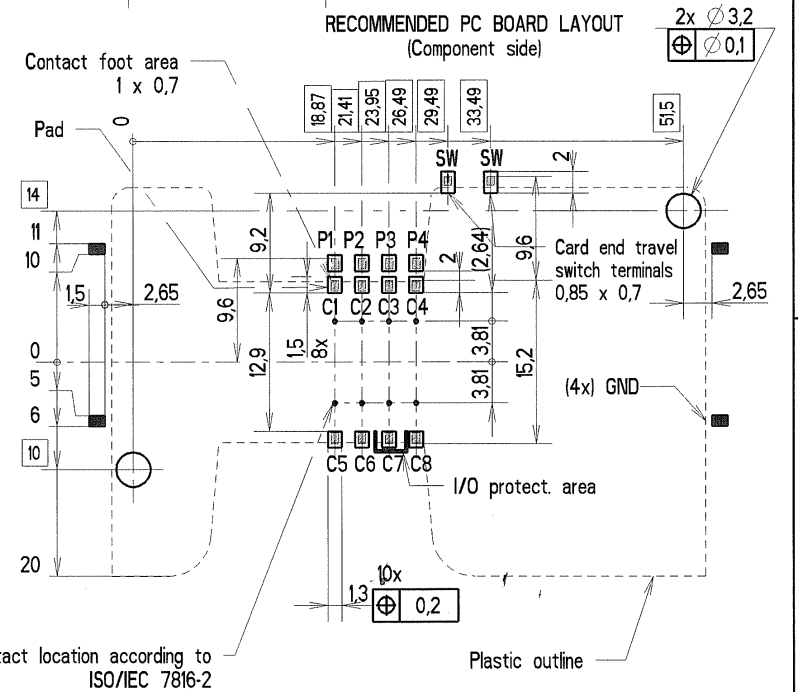


REV. C	N° DCR ECR-1484	NATURE DE LA MODIFICATION References table added	DATE 25/10/2007	VISA V.P
--------	-----------------	---	--------------------	-------------



SYSTEM CONFIDENTIAL

RECOMMENDED PC BOARD LAYOUT
(Component side)



Packaging	Packaging drawing	Marking	Designation	Part Number
Tray	CU030278Y0060	2038A	CCM01-2038LFT T30/	Y1112-2038A LFT
Reel	CU030278Y0061	2038B	CCM01-2038LFT R181	Y1112-2038B LFT

- Notes :
- 1 - Termination to PCB : SMT reflow soldering Temperature/time profile according to : C&K PS-LF-001 specification.
 - 2 - Since there are no boardlocks , the connector must be held in place on the PCB across the top face of the cover.
 - 3 - Coplanarity of metal soldering surfaces : 0,15 mm
 - 4 - Recommendation for solder paste thickness > 0,2 mm
 - 5 - Contact forces :
 - max 0,5 N per contact with max. card thickness.
 - min 0,2 N per contact with min. card thickness.

- 6 - Card end travel switch NO activates when the sliding card is 0,9 mm from the card stop.
- 7 - Electrical diagram :

Cover terminals
P1 P2 P3 P4

I/O protect
C1 C2 C3 C4 C5 C6 C7 C8

P1 - P3 = track 1 P2 - P4 = track 2
- 8 - Vertical distance between contacts and cover.
- 9 - In case of customer accessories integration requesting an interface with the CCM, please ask C&K for a 3D model

MATIERE	TOL. LINEAIRE	TOL. ANGULAIRE	PROTECTION
SAUF INDIQUE :	± 0,1	± 2	DIMENSIONS CRITIQUES
-COTES DONNEES AVANT PROTECTION		ETAT DE SURFACE	DIMENSIONS SPC
-BAUVRES ET ARETES VIVES SUPPRIMEES		Re	LANGAGE
DESSINE	PAILLE V. DATE 08/01/2007	ANALYSE Y TAB. FAM. Y PRO/E Y	A
VERIFIE	DUPRAT D. DATE 25/10/07	REPLACE	
APPROUVE	KUBAT L. DATE 26/10/07	DESIGNATION	
G&K C&K Components	PROJECTION 1ER DIEDRE	CCM01-2038 LFT SMT + 2 pegs + protection level one	
	ECHELLE 2	TAILLE	FEUILLE
BP 359 - 39105 Dole - FRANCE -	A3	1 / 1	NUMERO
			CU 030288Y2038
			REV C

CE PLAN EST LA PROPRIETE DE C&K COMPONENTS SAS ET NE PEUT ETRE REPRODUIT OU COMMUNIQUE SANS SON AUTORISATION

A B C D E F