

SMD ONE PORT SAW RESONATOR

ASR418S2



RoHS
Compliant



5.0 x 3.5 x 1.4mm

FEATURES:

- One port SAW
- Fundamental
- Seam sealed ceramic package assures high reliability
- Low insertion loss 1.2dB typical
- 50 ohms input/output impedance

APPLICATIONS:

- Transmitter
- Remote controller

STANDARD SPECIFICATIONS

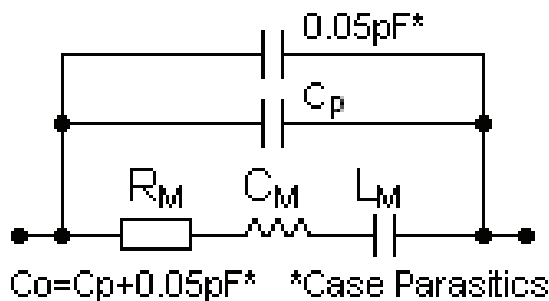
Key Electrical Specifications

Parameters	Minimum	Typical	Maximum	Units	Notes
Center Frequency (f_0)	417.925	418.000	418.075	MHz	418MHz±75kHz
Insertion Loss	-----	1.2	1.8	dB	
Quality Factor	-----	10,730	-----		Unloaded Q
	-----	1,400	-----		50Ω loaded Q
Turnover Temperature	25	-----	50	°C	
Turnover Frequency	-----	F0	-----	MHz	
Freq. Temp. Coefficient	-----	0.032	-----	ppm/°C	
Frequency Aging	-----	-----	≤±10	ppm/yr	
DC Insulation Resistance	1.0	-----	-----	MΩ	
Motional Resistance R1	-----	15	23	Ω	
Motional Inductance L1	-----	61.3325	-----	uH	
Motional Capacitance C1	-----	2.3661	-----	fF	
Shunt Static Capacitance C0	2.05	2.35	2.65	pF	
Operation Temperature Range	-40	-----	+85	°C	
Storage Temperature Range	-45	-----	+85	°C	
DC Voltage between terminals	-----	-----	±30	Vdc	
CW RF Power Dissipation	-----	-----	0	dBm	

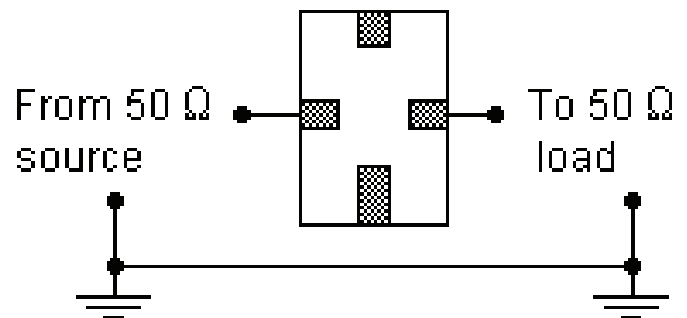
EQUIVALENT LC MODEL

TEST CIRCUIT

Equivalent LC Model



Test Circuit



SMD ONE PORT SAW RESONATOR

ASR418S2

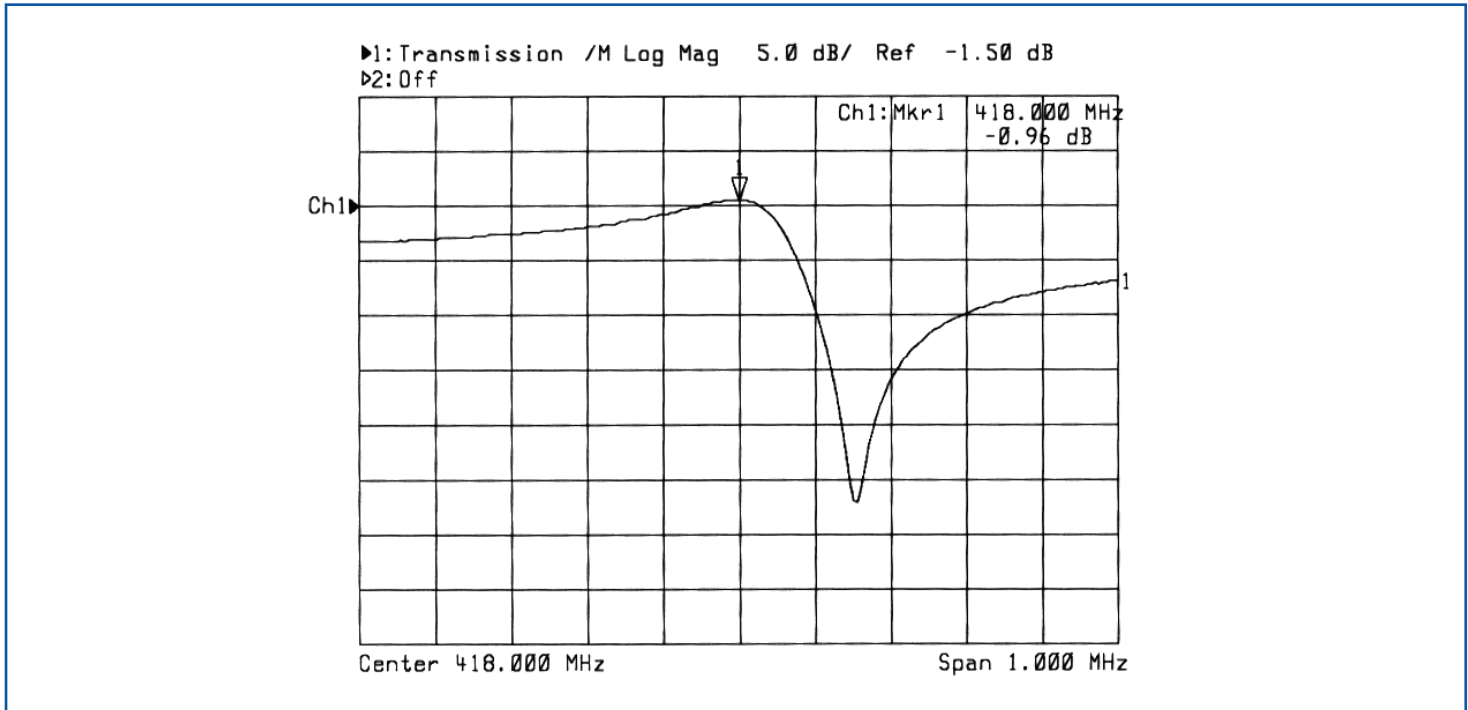


RoHS
Compliant

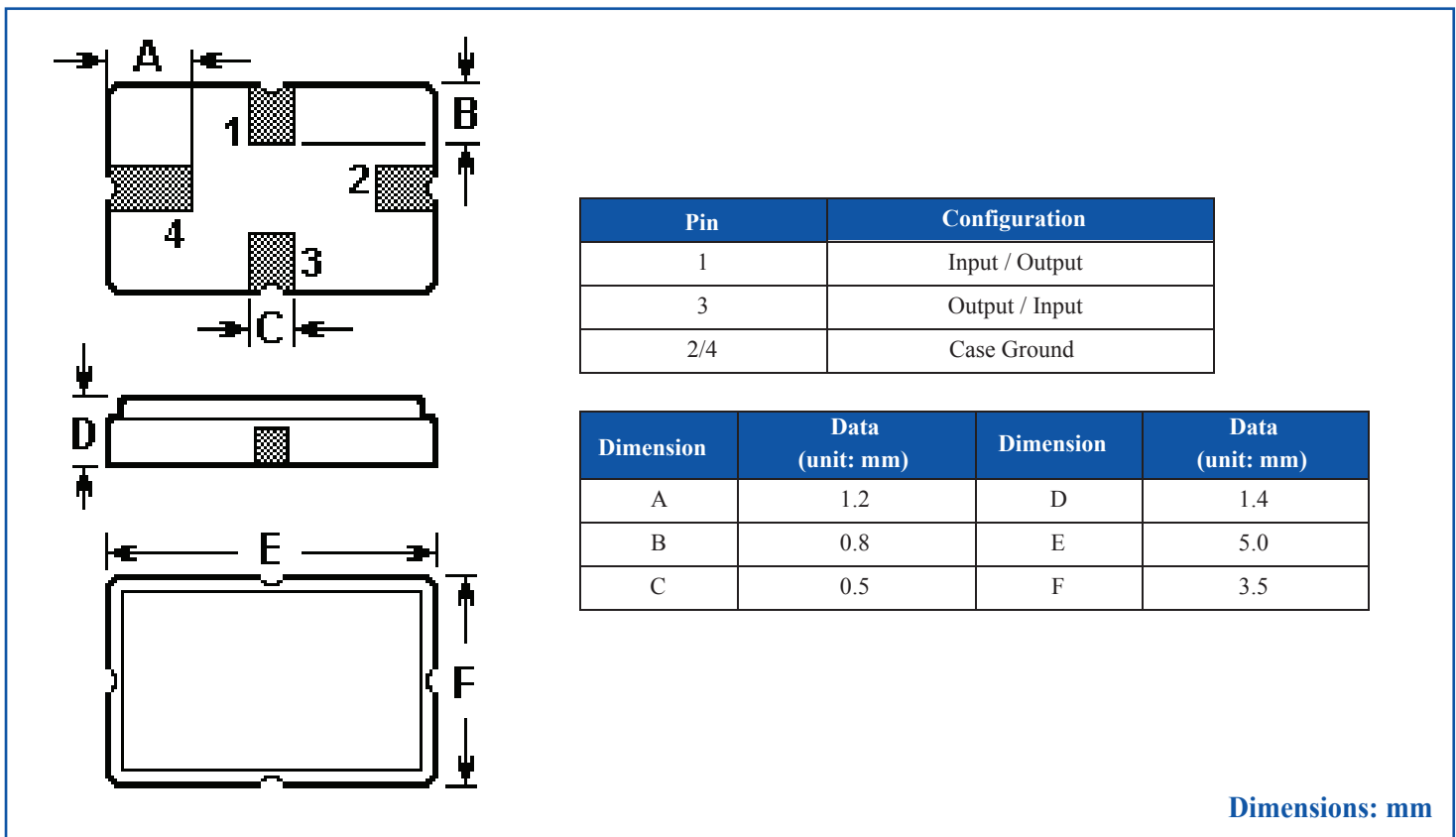


5.0 x 3.5 x 1.4mm

TYPICAL FREQUENCY RESPONSE



OUTLINE DIMENSIONS



SMD ONE PORT SAW RESONATOR

ASR418S2

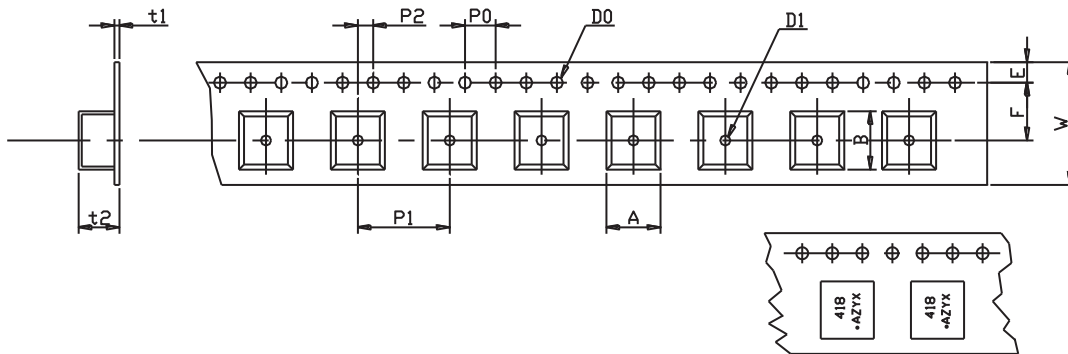


RoHS
Compliant

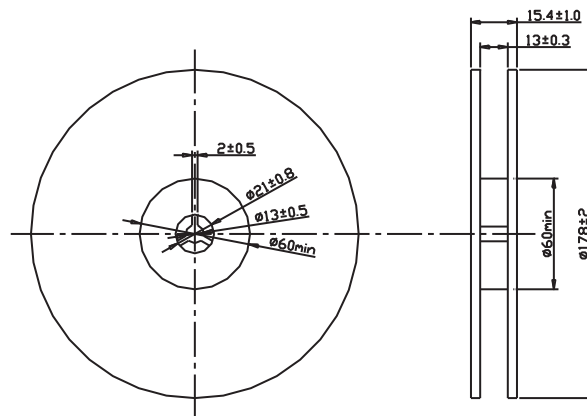


5.0 x 3.5 x 1.4mm

TAPE & REEL: 1000pcs/reel

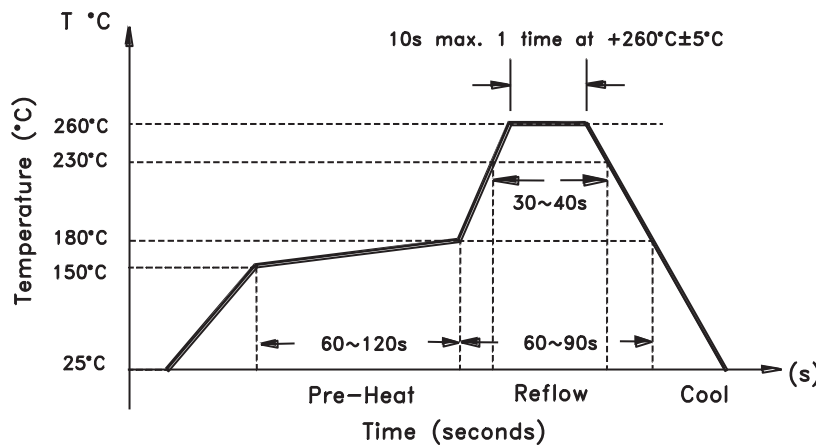


W	F	E	P0	P1	P2	D0	D1	t1	t2	A	B
12.0	5.5	1.75	4.0	8.0	2.0	Φ1.5	Φ1.5	0.31	1.95	3.8	5.3
±0.3	±0.1	±0.1	±0.2	±0.1	±0.2	±0.1	±0.25	max.	max.	max.	max.



Dimensions: mm

REFLOW PROFILE



ATTENTION: Abracon Corporation's products are COTS – Commercial-Off-The-Shelf products; suitable for Commercial, Industrial and, where designated, Automotive Applications. Abracon's products are not specifically designed for Military, Aviation, Aerospace, Life-dependant Medical applications or any application requiring high reliability where component failure could result in loss of life and/or property. For applications requiring high reliability and/or presenting an extreme operating environment, written consent and authorization from Abracon Corporation is required. Please contact Abracon Corporation for more information.

ABRACON IS
ISO9001:2008
CERTIFIED



Visit www.abracon.com for Terms & Conditions of Sale **Revised: 02.21.11**

30332 Esperanza, Rancho Santa Margarita, California 92688

tel 949-546-8000 | fax 949-546-8001 | www.abracon.com