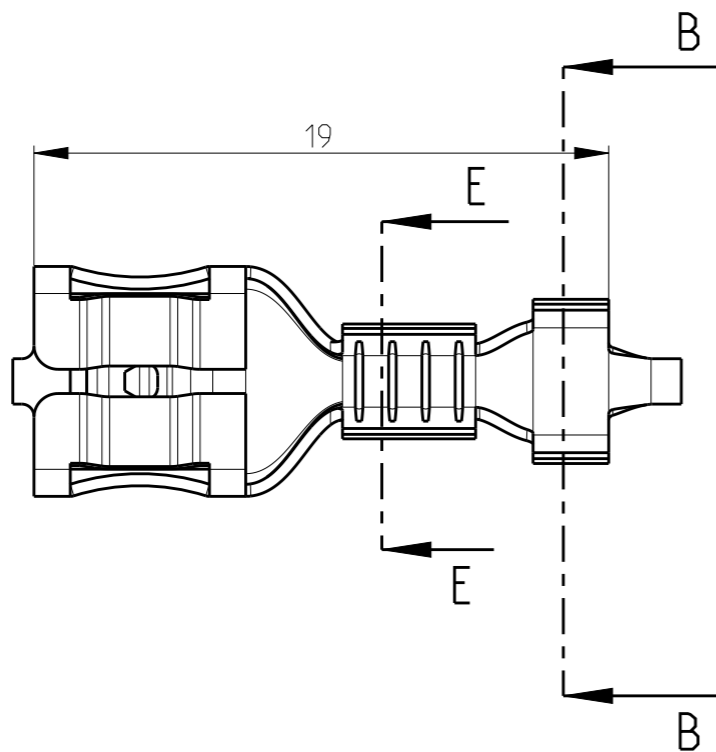
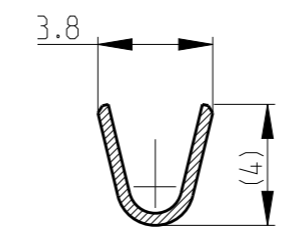
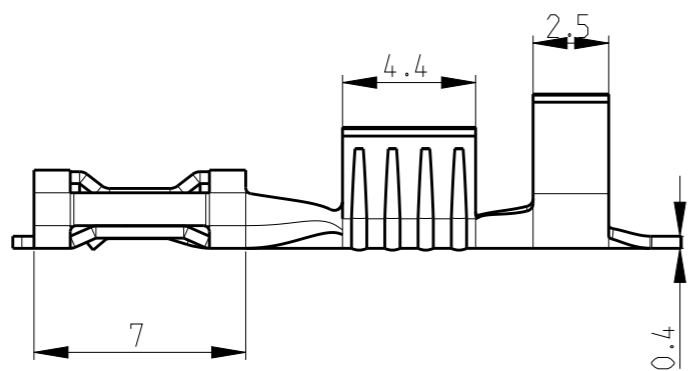
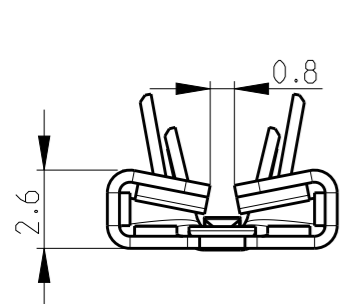


THIS DRAWING IS UNPUBLISHED. RELEASED FOR PUBLICATION 20
 © COPYRIGHT 20 BY TYCO ELECTRONICS CORPORATION ALL RIGHTS RESERVED.

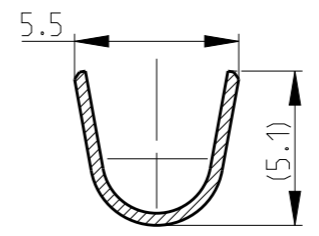
LOC	DIST	REVISIONS					
		P	LTR	DESCRIPTION	DATE	DWN	APVD
-	-	A		REV.A RELEASE BASED ON REV.3	24OCT2014	DL	TD
		A1		RELEASE PER ECR-14-018864	24DEC2014	DL	TD
		A2		RELEASE PER ECR-15-004911	321MAR2015	DL	TD
		A3		RELEASE PER ECR-16-008480	12JUN2016	JJ	TD



- NOTE:
- CONTINUOUS STRIP ON REELS
 - MATING TAB ACCORDING TO UL310 AND IEC61210 NORM. (WIDTH*THICKNESS IS 6.3*0.8mm)
 - WIRE SIZE IS #18-#14 AWG(1.0-2.5 sqmm)
 - INSULATION RANGE IS \varnothing 3-4.3mm
 - CUT-OFF TAB LENGTH 0.5mm MAX.
 - PRELIMINARY NOT FOR PRODUCTION.

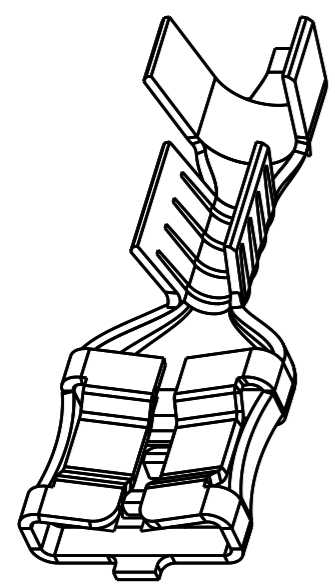



SECTION E-E



SECTION B-B

Pre-Tin Plated	CuNiSi	2178300-3	6
Pre-Tin Plated	BRASS	2178300-2	6
Pre-NICKEL	Steel	2178300-1	
FINISH	MATERIAL	PART NO.	



THIS DRAWING IS A CONTROLLED DOCUMENT.		DWN VIBHUTHI 29NOV2012	 TE Connectivity				
DIMENSIONS: mm		CHK SUBHASH M 29NOV2012			NAME 6.3 SRS F-SPRING LIF RECEPTACLE		
TOLERANCES UNLESS OTHERWISE SPECIFIED:		APVD SURESH T N 29NOV2012					
0 PLC ±0.5 1 PLC ±0.5 2 PLC ±0.25 3 PLC ± 4 PLC ± ANGLES ±1°		PRODUCT SPEC 108-64027					
MATERIAL SEE TABLE	FINISH SEE TABLE	APPLICATION SPEC 114-64027	SIZE A3	CAGE CODE 00779	DRAWING NO C-2178300	RESTRICTED TO -	
		WEIGHT -	Customer Drawing		SCALE 4:1	SHEET 1 OF 1	REV A3