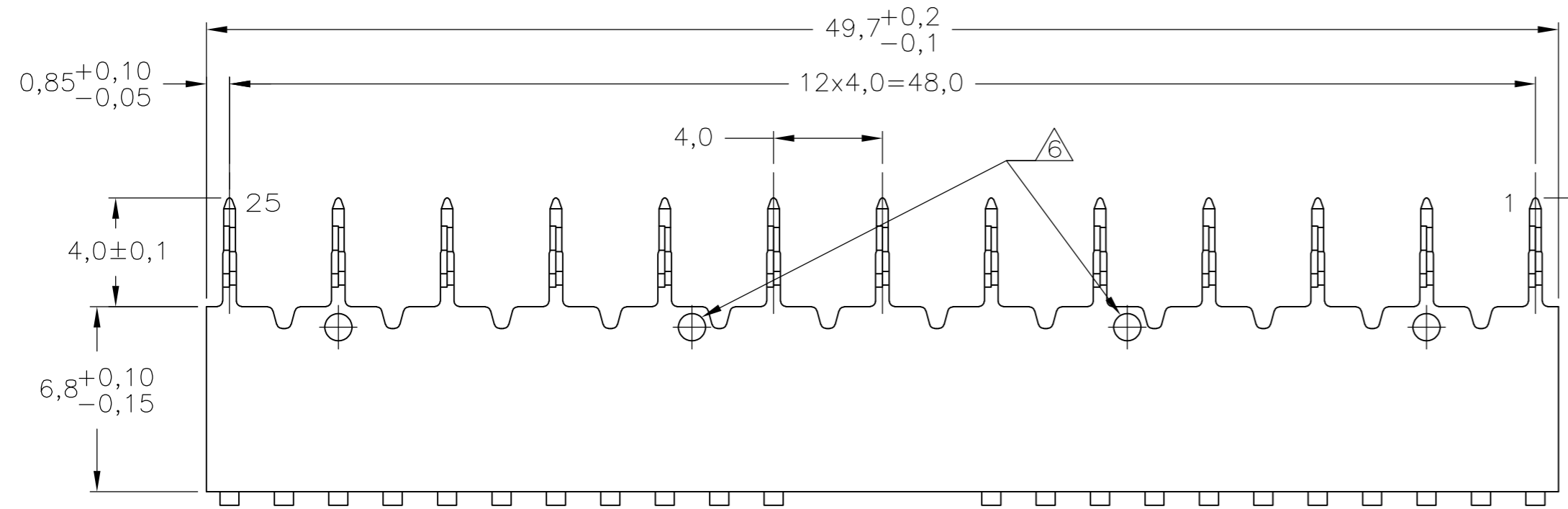


THIS DRAWING IS UNPUBLISHED. RELEASED FOR PUBLICATION  
 © COPYRIGHT - By - ALL RIGHTS RESERVED.

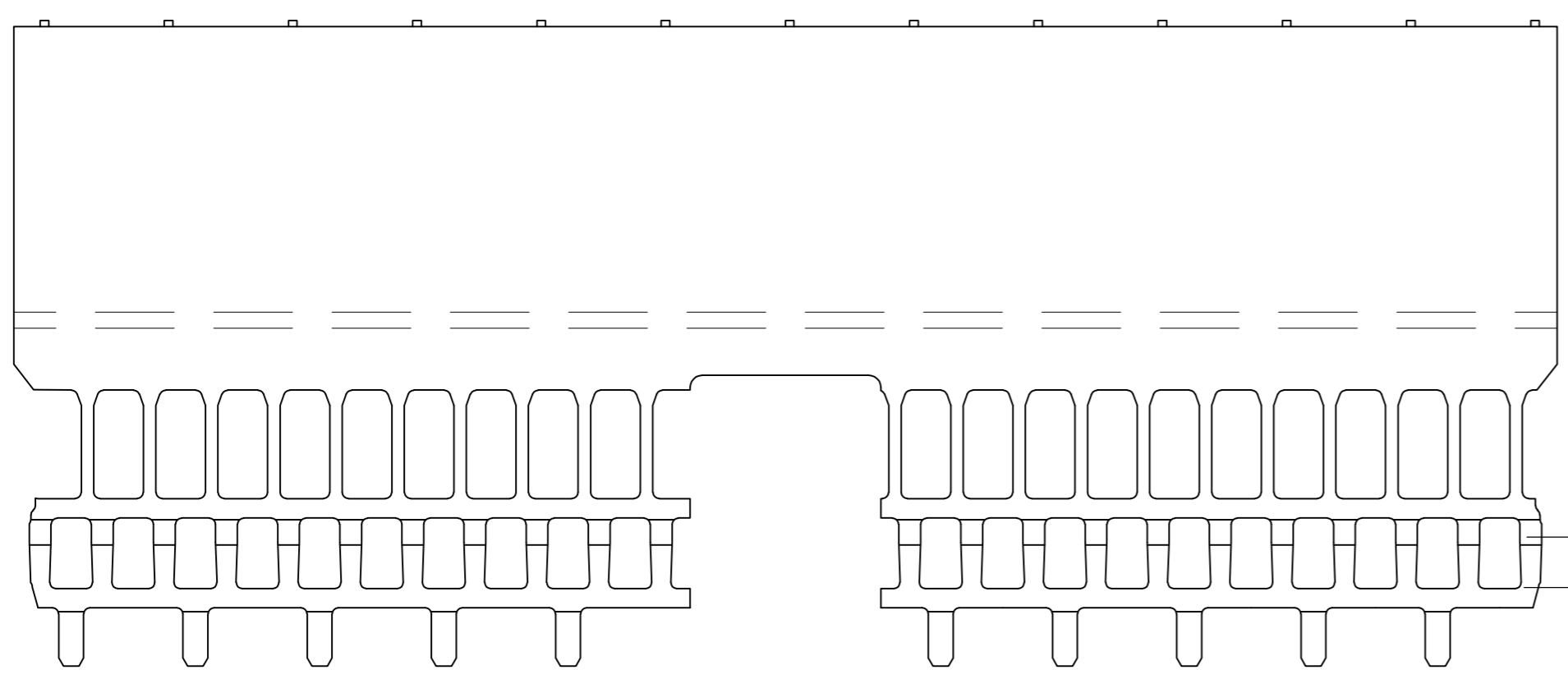
LOC		DIST		REVISIONS			
P	LTR	DESCRIPTION		DATE	DWN	APVD	
D		REVISED PER ECO-13-015151		16DEC2013	FL	FY	



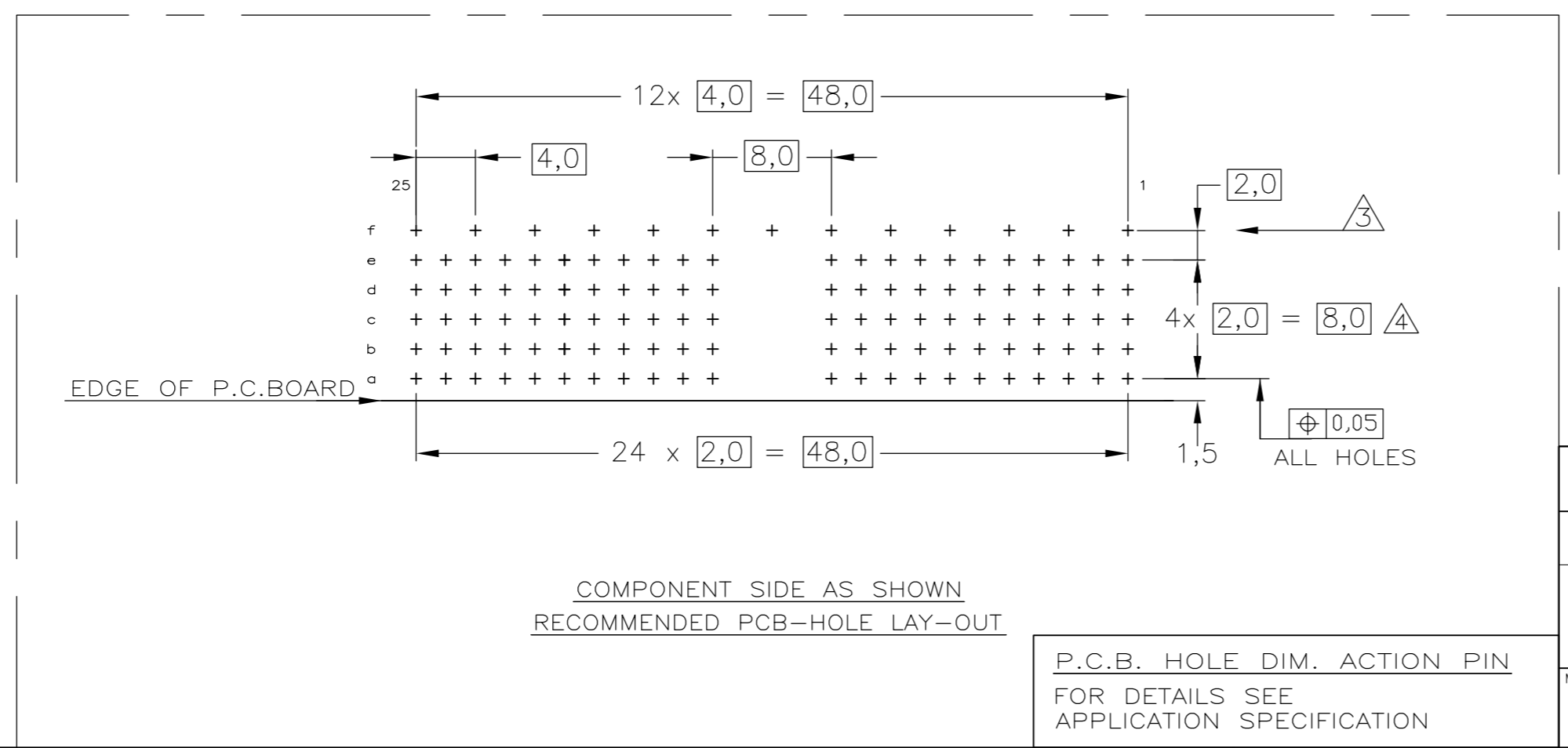
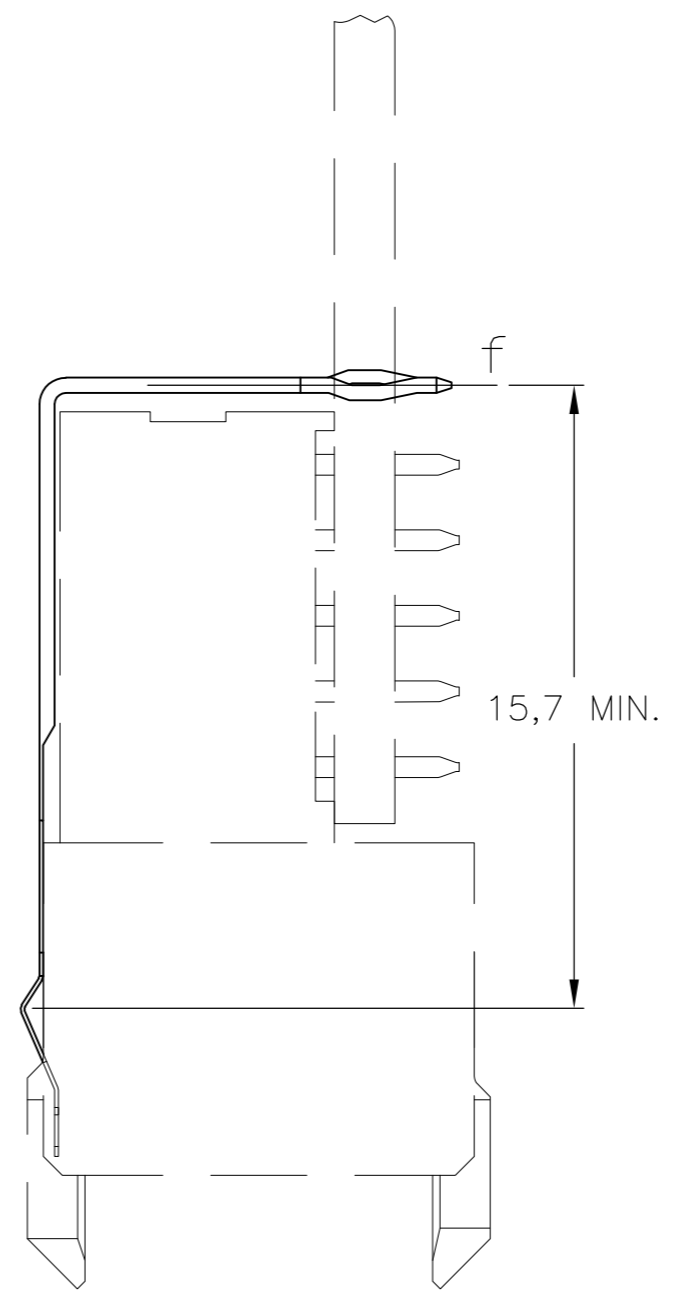
ACTION PIN AREA

NOTES:

- △ GENERAL PLATING SPECIFICATION: UNDERPLATING (ENTIRE CONTACT): 1,27µm NICKEL MIN.AND ACTION PIN: 0,5µm TIN MIN. FOR PLATING OF MATING SURFACES SEE PERFORMANCE LEVEL SHOWN IN PART NUMBER TABLE.
- △ MATERIAL; PHOSPHORBRONZE.
- △ ROW "f" 13 PLATED THROUGH HOLES FOR UPPERSHIELD
- △ HOLE PATTERN FOR FEMALE CONNECTOR TYPE A
- △ 110 PLATED-THROUGH HOLES AT 2x2mm SQUARE GRID
- △ SHIELDS LUBRICATED WITH BELLCORE APPROVED LUBRICANT. TECHNICAL REF: TR-NWT-001217 ISSUE 1, SEPT. 1992.
- △ OPTIONAL DIMPLES AT DISCRETION OF DIE ENGINEER.
- △ CONFORMS TO ALL TESTING ACCORDING IEC 61076-4-101 PERFORMANCE LEVEL 2.
- △ CONFORMS TO ALL TESTING ACCORDING IEC 61076-4-101 PERFORMANCE LEVEL 1.
- △ CONNECTOR TESTED AND QUALIFIED AGAINST TELCORDIA GR-1217-CORE QUALITY LEVEL III,CENTRAL OFFICE APPLICATIONS.
- △ 0.76µm MIN GOLD PLATING AT MATING SURFACE.



CONTACT AREA



P.C.B. HOLE DIM. ACTION PIN  
 FOR DETAILS SEE APPLICATION SPECIFICATION

FINISH	MATERIAL	PARTNUMBER
△7△10	△	8-5338107-4
△5△9	△	5338107-9
△7	△	5338107-2

THIS DRAWING IS A CONTROLLED DOCUMENT.

DWN	K.N.KIRAN	13AUG04
CHK	B.MOOIJ	25MAR05
APVD	B.MOOIJ	25MAR05
PRODUCT SPEC	108-19082	
APPLICATION SPEC	114-19029	
WEIGHT	-	
CUSTOMER DRAWING		

TE Connectivity

Z-PACK 2mm HM  
 GROUND RETURN UPPER SHIELD  
 TYPE A

SIZE	A2	CAGE CODE	00779	DRAWING NO	C=5338107	RESTRICTED TO	-
SCALE	5:1	SHEET	1 of 1	REV	D		

5338107