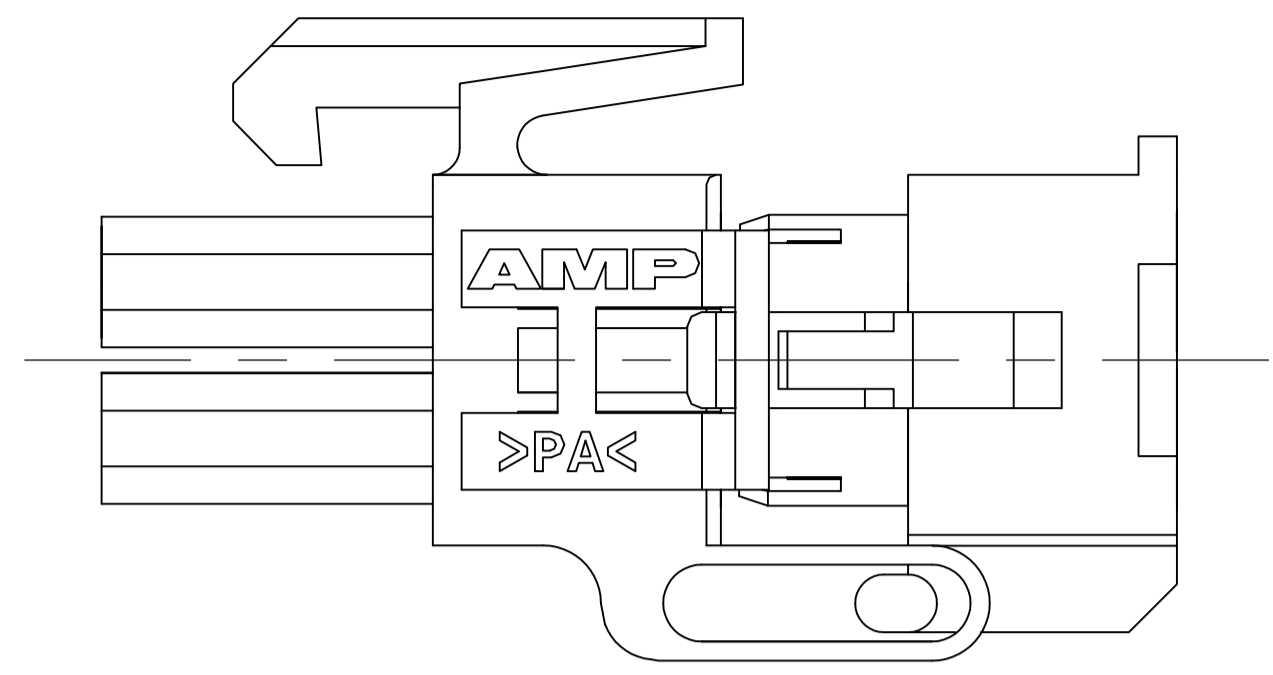
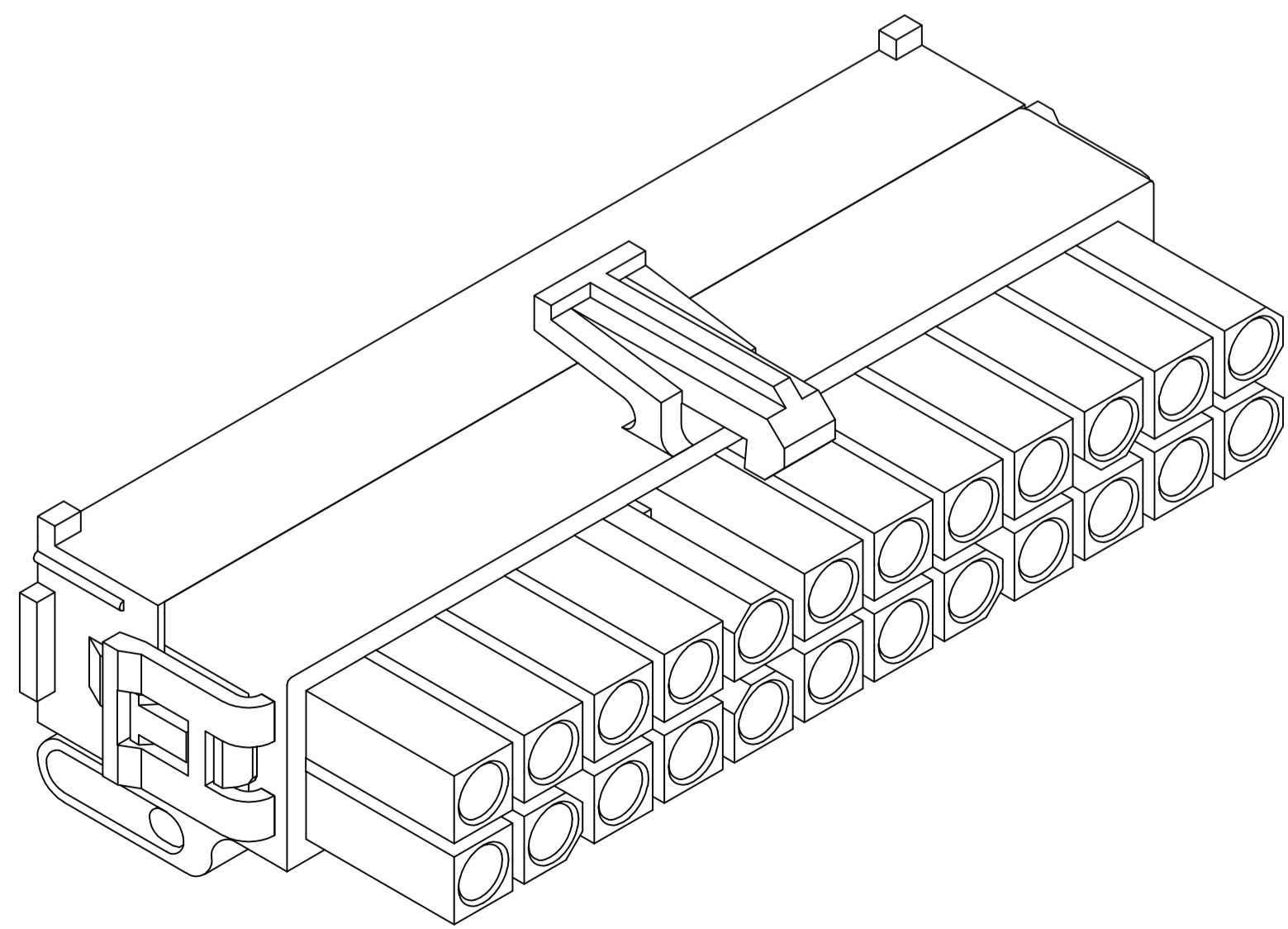
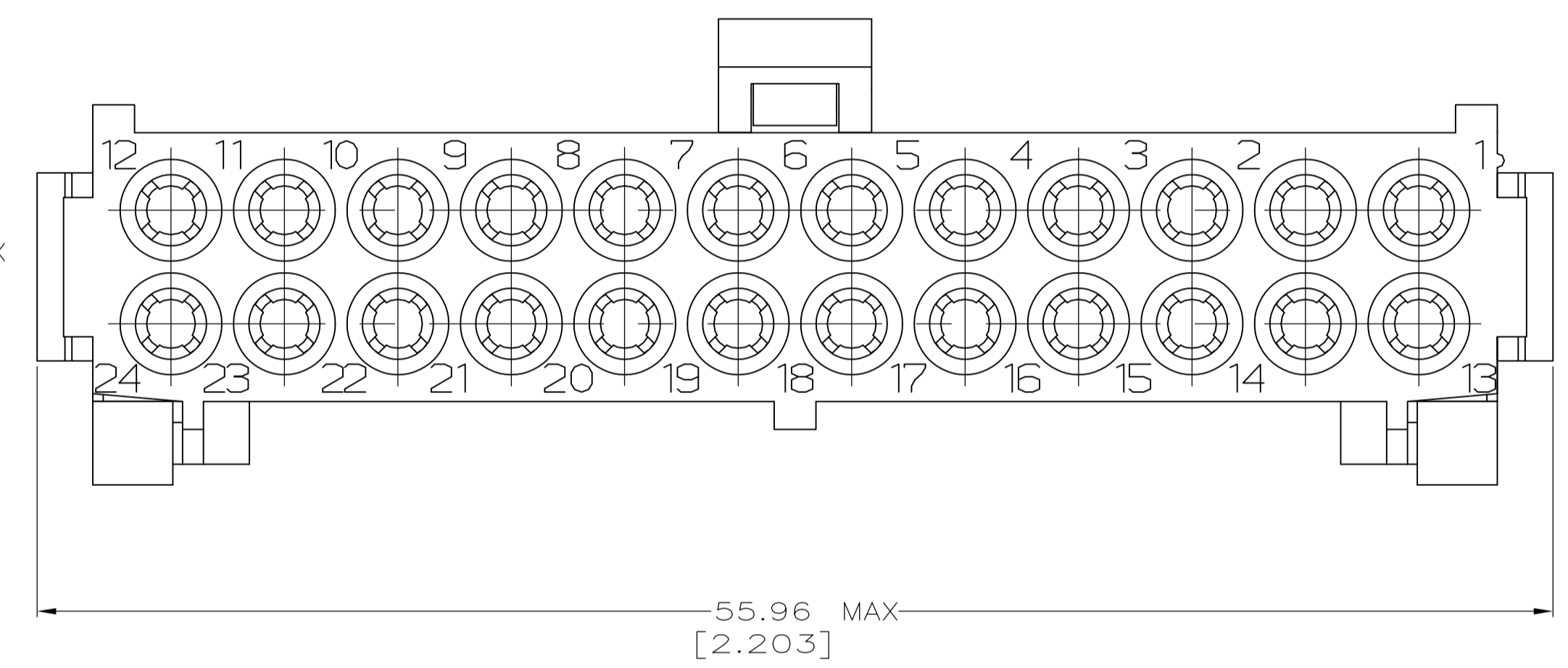
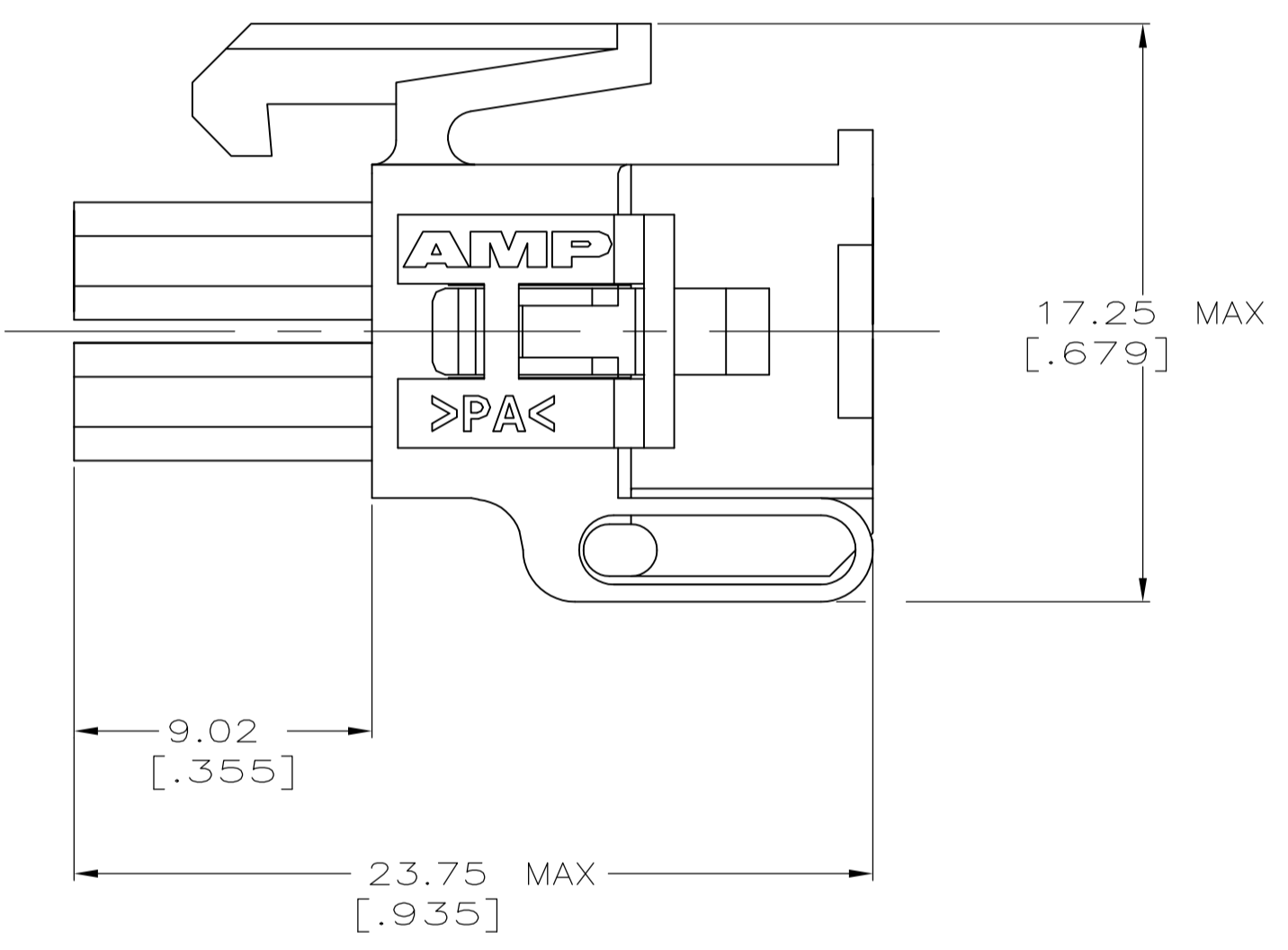
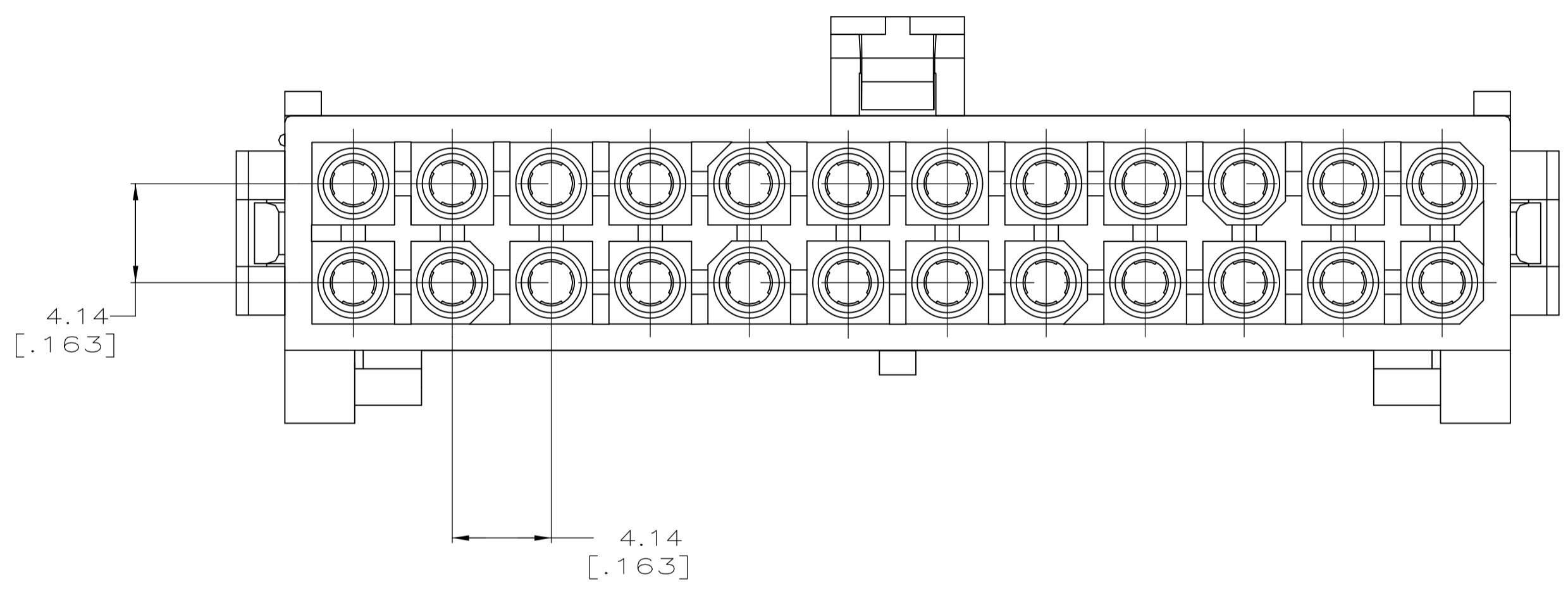


LOC		DIST		REVISIONS			
P	LTR	DESCRIPTION	DATE	DNW	APVO		
CM	53	C1	REVISED PER ECR 10-025344	24FEB11	JR	TM	

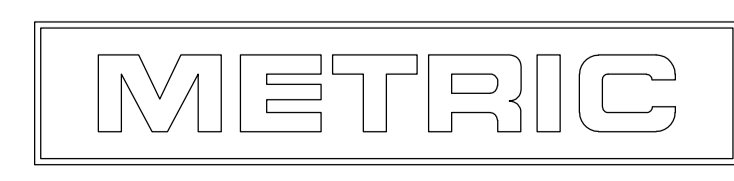
1 DIMENSIONS IN BRACKETS ARE IN INCHES.



PRE-STAGED CONDITION



3-DIMENSIONAL MODEL
NTS



794267-1
PART NUMBER

THIS DRAWING IS A CONTROLLED DOCUMENT.		DIN K. WHITAKER 5-20-97	Tyco Electronics Corporation Harrisburg, PA 17105-3608
DIMENSIONS: mm [INCHES]		CHK R. SWING 5-20-97	
TOLERANCES UNLESS OTHERWISE SPECIFIED:		APVO R. ORSTAD 5-20-97	NAME PLUG, 24 CIRCUIT, MINI UNIVERSAL MATE-N-LOK
0. PLC ± -	1. PLC ± -	PRODUCT SPEC	SIZE A1
2. PLC ± -	3. PLC ± 0.13 [.005]	APPLICATION SPEC	WEIGHT -
4. PLC ± -	ANGLES ± -	FINISH	CAGE CODE 00779
MATERIAL NYLON,		RESTRICTED TO	SCALE 5:1
		CUSTOMER DRAWING	SHEET 1 OF 1
			REV C1