

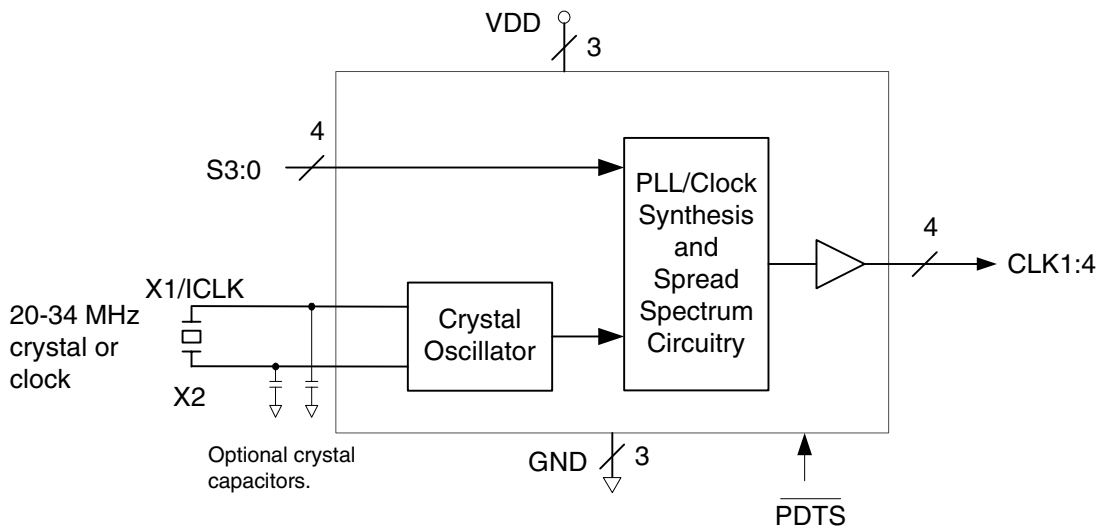
QUAD OUTPUT SPREAD SPECTRUM CLOCK GENERATOR
MK1725
Description

The MK1725 generates 4 high-quality, high-frequency spread spectrum clock outputs. It is designed to replace spread spectrum clock generators and a buffer in many digital consumer applications. Using IDT's patented Phase Locked Loop (PLL) techniques, the device runs from a lower frequency clock or crystal input.

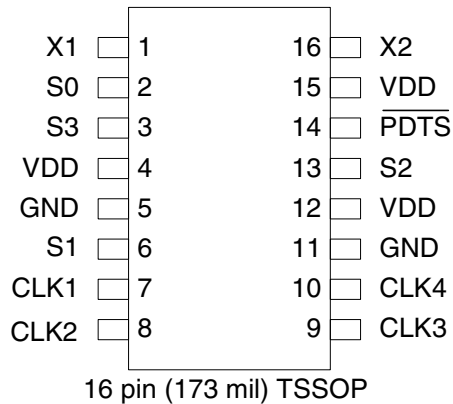
The MK1725 has a 16 location ROM table which provides maximum flexibility for system designers. The chip also has a power down pin which can be used to reduce power.

Features

- Packaged in 16-pin TSSOP
- Available in Pb (lead) free package
- Replaces a spread spectrum clock generator and a buffer
- Input clock or crystal frequency of 20-34 MHz
- Output frequency of 20-136 MHz
- Four spread spectrum clock outputs
- Duty cycle of 45/55
- Operating voltage of 3.3 V
- Advanced, low power CMOS process
- Available in Commercial (0 to +70°C) and Industrial (-40 to +85°C) temperature ranges

Block Diagram


Pin Assignment



CLK Output Selection Table

S3	S2	S1	S0	CLK1:4	
				Multiplier	Spread %
0	0	0	0	1	-1%
0	0	1	0	1	-0.5%
0	0	0	1	1	+/- 0.5%
0	0	1	1	1	+/- 0.25%
0	1	1	0	2	-1%
0	1	0	1	2	-0.5%
0	1	0	0	2	+/- 0.5%
0	1	1	1	2	+/- 0.25%
1	0	0	0	4	-1%
1	0	1	0	4	-0.5%
1	0	0	1	4	+/- 0.5%
1	0	1	1	4	+/- 0.25%
1	1	1	0	1	OFF
1	1	0	1	2	OFF
1	1	0	0	4	OFF
1	1	1	1	TEST	TEST

Pin Descriptions

Pin Number	Pin Name	Pin Type	Pin Description
1	X1	Input	Connect to a 20 to 34 MHz crystal or clock input.
2	S0	Input	Select pin 0. Determines frequency and spread amount on output clocks as per table above. Internal pull-down.
3	S3	Input	Select pin 3. Determines frequency and spread amount on output clocks as per table above. Internal pull-down.
4	VDD	Power	Connect to +3.3 V.
5	GND	Power	Connect to ground.
6	S1	Input	Select pin 1. Determines frequency and spread amount on output clocks as per table above. Internal pull-down.
7	CLK1	Output	Clock 1 output. Frequency and spread amount are determined by table above. Weak internal pull-down when tri-state.
8	CLK2	Output	Clock 2 output. Frequency and spread amount are determined by table above. Weak internal pull-down when tri-state.
9	CLK3	Output	Clock 3 output. Frequency and spread amount are determined by table above. Weak internal pull-down when tri-state.

Pin Number	Pin Name	Pin Type	Pin Description
10	CLK4	Output	Clock 4 output. Frequency and spread amount are determined by table above. Weak internal pull-down when tri-state.
11	GND	Power	Connect to ground.
12	VDD	Power	Connect to +3.3 V.
13	S2	Input	Select pin 2. Determines frequency and spread amount on output clocks as per table above. Internal pull-down.
14	$\overline{\text{PDS}}$	Input	Power Down Tri-state. Powers down entire chip and tri-states outputs when low. Internal pull-up resistor.
15	VDD	Power	Connect to +3.3V.
16	X2	Input	20 MHz to 34 MHz crystal input. Float for clock input.

External Components

Decoupling Capacitor

As with any high performance mixed-signal IC, the MK1725 must be isolated from system power supply noise to perform optimally.

A decoupling capacitor of 0.01 μ F must be connected between each VDD and the PCB ground plane.

Series Termination Resistor

Clock output traces over one inch should use series termination. To series terminate a 50 Ω trace (a commonly used trace impedance), place a 33 Ω resistor in series with the clock line, as close to the clock output pin as possible. The nominal impedance of the clock output is 20 Ω .

Crystal Load Capacitors

The device crystal connections should include pads for small capacitors from X1 to ground and from X2 to ground. These capacitors are used to adjust the stray capacitance of the board to match the nominally required crystal load capacitance. Because load capacitance can only be increased in this trimming process, it is important to keep stray capacitance to a minimum by using very short PCB traces (and no vias) between the crystal and device. Crystal capacitors must be connected from each of the pins X1 and X2 to ground.

The value (in pF) of these crystal caps should equal $(C_L - 6) \times 2$. In this equation, C_L = crystal load capacitance in pF. Example: For a crystal with an 18 pF load capacitance, each crystal capacitor would be 24 pF $[(18 - 6) \times 2 = 24]$.

PCB Layout Recommendations

For optimum device performance and lowest output phase noise, the following guidelines should be observed.

- 1) The 0.01 μ F decoupling capacitors should be mounted on the component side of the board as close to the VDD pin as possible. No vias should be used between the decoupling capacitors and VDD pins. The PCB trace to VDD pins should be kept as short as possible, as should the PCB trace to the ground via.
- 2) The external crystal should be mounted just next to the device with short traces. The X1 and X2 traces should not be routed next to each other with minimum spaces, instead they should be separated and away from other traces.
- 3) To minimize EMI the 33 Ω series termination resistor (if needed) should be placed close to the clock outputs.
- 4) An optimum layout is one with all components on the same side of the board, minimizing vias through other signal layers. Other signal traces should be routed away from the MK1725. This includes signal traces just underneath the device, or on layers adjacent to the ground plane layer used by the device.

Absolute Maximum Ratings

Stresses above the ratings listed below can cause permanent damage to the MK1725. These ratings, which are standard values for IDT commercially rated parts, are stress ratings only. Functional operation of the device at these or any other conditions above those indicated in the operational sections of the specifications is not implied. Exposure to absolute maximum rating conditions for extended periods can affect product reliability. Electrical parameters are guaranteed only over the recommended operating temperature range.

Item	Rating
Supply Voltage, VDD	5 V
All Inputs and Outputs	-0.5 V to VDD+0.5 V
Ambient Operating Temperature (commercial)	0 to +70° C
Ambient Operating Temperature (industrial)	-40 to +85° C
Storage Temperature	-65 to +150° C
Junction Temperature	125° C
Soldering Temperature	260° C

Recommended Operation Conditions

Parameter	Min.	Typ.	Max.	Units
Ambient Operating Temperature (commercial)	0		+70	°C
Ambient Operating Temperature (industrial)	-40		+85	°C
Power Supply Voltage (measured in respect to GND)	+3.135	+3.3	+3.465	V

DC Electrical Characteristics

Unless stated otherwise, VDD = 3.3 V ±5%, T_A = 0 to +70° C (commercial), -40 to +85° C (industrial)

Parameter	Symbol	Conditions	Min.	Typ.	Max.	Units
Operating Voltage	VDD		3.135	3.3	3.465	V
Supply Current	IDD	20M in S3:0=[0100]		22		mA
Input High Voltage	V _{IH}	Input selects	2			V
Input Low Voltage	V _{IL}	Input selects			0.8	V
Input High Voltage	V _{IH}	ICLK	VDD/2+1			V
Input Low Voltage	V _{IL}	ICLK			VDD/2-1	V
Output High Voltage	V _{OH}	I _{OH} = -4 mA	VDD-0.4			V
Output High Voltage	V _{OH}	I _{OH} = -12 mA	2.4			V
Output Low Voltage	V _{OL}	I _{OL} = 12 mA			0.4	V
Short Circuit Current	I _{OS}	Clock outputs		±70		mA
Input Capacitance	C _{IN}			5		pF
Nominal Output Impedance	Z _{OUT}			20		Ω
Internal Pull-up Resistor	R _{PU}	PDT5 pin		360		kΩ

Parameter	Symbol	Conditions	Min.	Typ.	Max.	Units
Internal Pull-down Resistor	R_{PD}	Clock outputs; S3:0		510		$k\Omega$

AC Electrical Characteristics

Unless stated otherwise, $V_{DD} = 3.3\text{ V} \pm 5\%$, $T_A = 0$ to $+70^\circ\text{C}$ (commercial), -40 to $+85^\circ\text{C}$ (industrial)

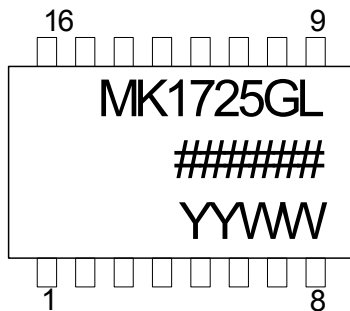
Parameter	Symbol	Conditions	Min.	Typ.	Max.	Units
Input Frequency	f_{IN}	Crystal or clock input	20		34	MHz
Output Rise Time	t_{OR}	20% to 80%, Note 1		1.2		ns
Output Fall Time	t_{OF}	80% to 20%, Note 1		1.0		ns
Output Clock Duty Cycle		At $V_{DD}/2$, Note 1 1X, 2X modes	45	50	55	%
		at $V_{DD}/2$, Note 1 4X mode	40	50	60	%
Absolute Clock Period Jitter	t_j	Cycle to cycle, Note 1		150		ps
Modulation Frequency	f_{mod}		25		50	kHz
Output to Output Skew		Non-spread modes			250	ps
Output Enable Time	t_{OE}	\overline{PDTS} high to output spread profile stable		2.6		ms
Output Disable Time	t_{OD}	\overline{PDTS} low to tri-state		10		ns

Note 1: Measured with a 15 pF load.

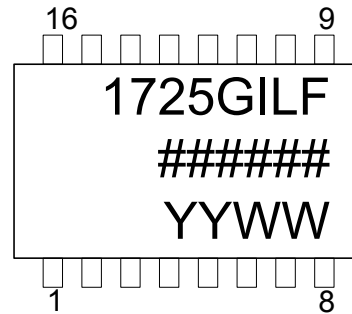
Thermal Characteristics

Parameter	Symbol	Conditions	Min.	Typ.	Max.	Units
Thermal Resistance Junction to Ambient	θ_{JA}	Still air		78		°C/W
	θ_{JA}	1 m/s air flow		70		°C/W
	θ_{JA}	3 m/s air flow		68		°C/W
Thermal Resistance Junction to Case	θ_{JC}			37		°C/W

Marking Diagram (commercial temp.)



Marking Diagram (industrial temp.)

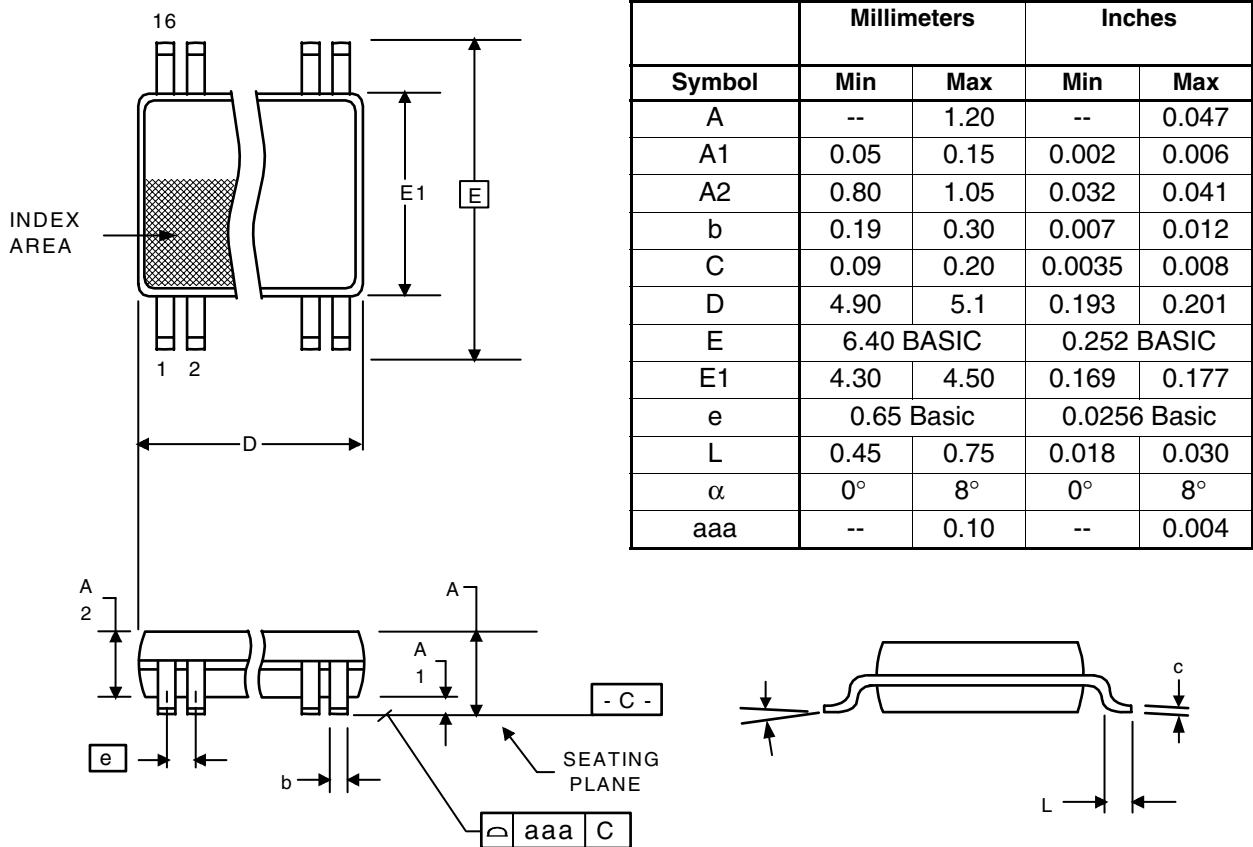


Notes:

1. ##### is the lot code.
2. YYWW is the last two digits of the year and the week number that the part was assembled.
3. "L" or "LF" denotes Pb (lead) free package.
4. "I" denotes industrial temperature range device.
5. Bottom marking: (origin). Origin = country of origin of not USA.

Package Outline and Package Dimensions (16-pin TSSOP, 173 Mil. Narrow Body)

Package dimensions are kept current with JEDEC Publication No. 95



Ordering Information

Part / Order Number	Marking	Shipping Packaging	Package	Temperature
MK1725GLF	see page 6	Tubes	16-pin TSSOP	0 to +70 °C
MK1725GLFT		Tape and Reel	16-pin TSSOP	0 to +70 °C
MK1725GILF		Tubes	16-pin TSSOP	-40 to +85 °C
MK1725GILFT		Tape and Reel	16-pin TSSOP	-40 to +85 °C

Parts that are ordered with a "LF" suffix to the part number are the Pb-Free configuration and are RoHS compliant.

While the information presented herein has been checked for both accuracy and reliability, Integrated Device Technology (IDT) assumes no responsibility for either its use or for the infringement of any patents or other rights of third parties, which would result from its use. No other circuits, patents, or licenses are implied. This product is intended for use in normal commercial applications. Any other applications such as those requiring extended temperature range, high reliability, or other extraordinary environmental requirements are not recommended without additional processing by IDT. IDT reserves the right to change any circuitry or specifications without notice. IDT does not authorize or warrant any IDT product for use in life support devices or critical medical instruments.

Innovate with IDT and accelerate your future networks. Contact:

www.IDT.com

For Sales

800-345-7015
408-284-8200
Fax: 408-284-2775

For Tech Support

www.idt.com/go/clockhelp

Corporate Headquarters

Integrated Device Technology, Inc.
www.idt.com



www.IDT.com