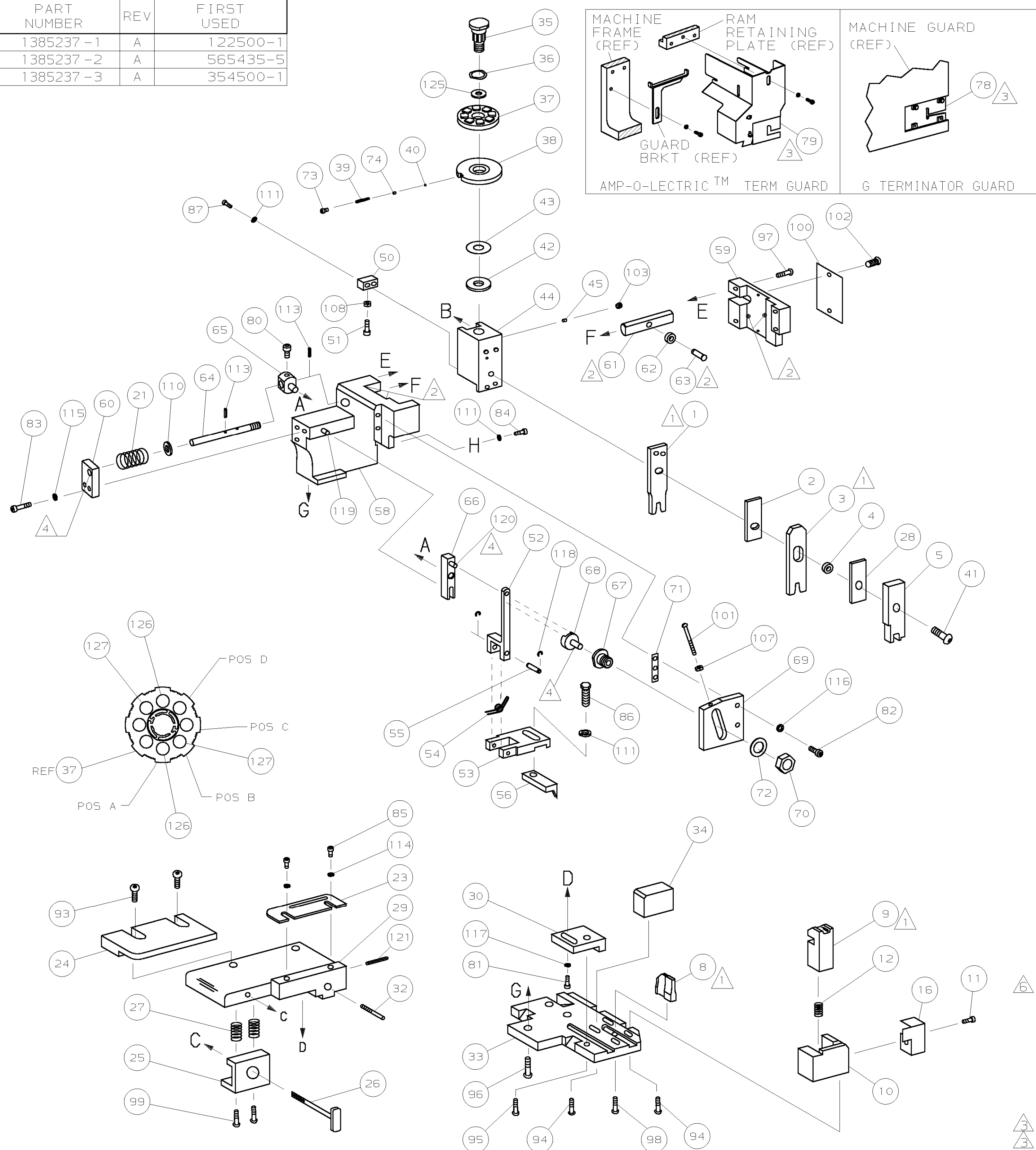
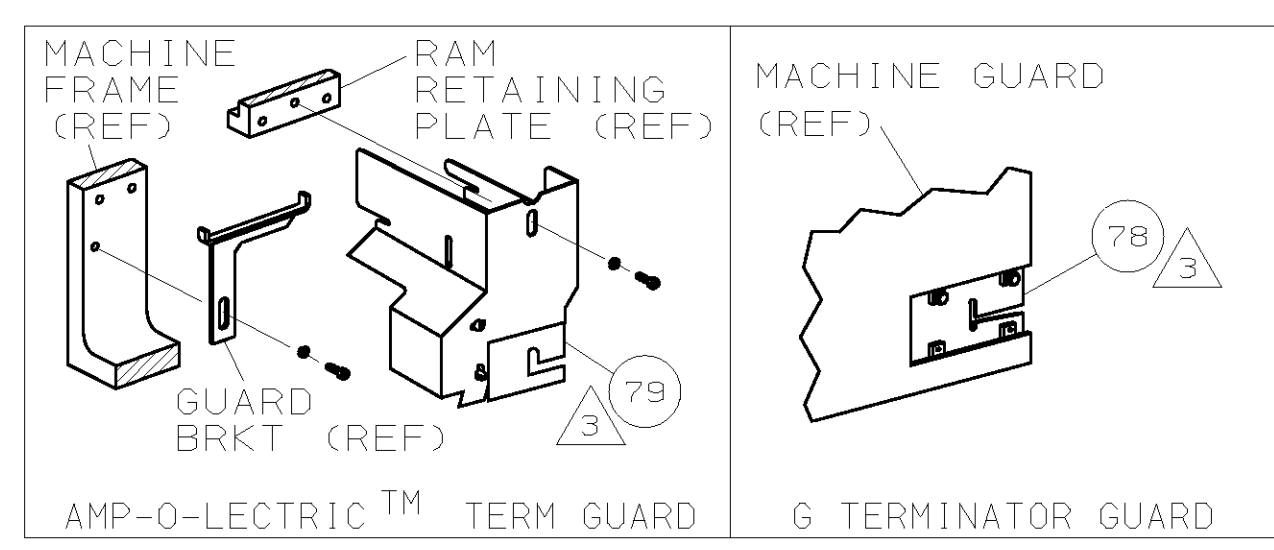
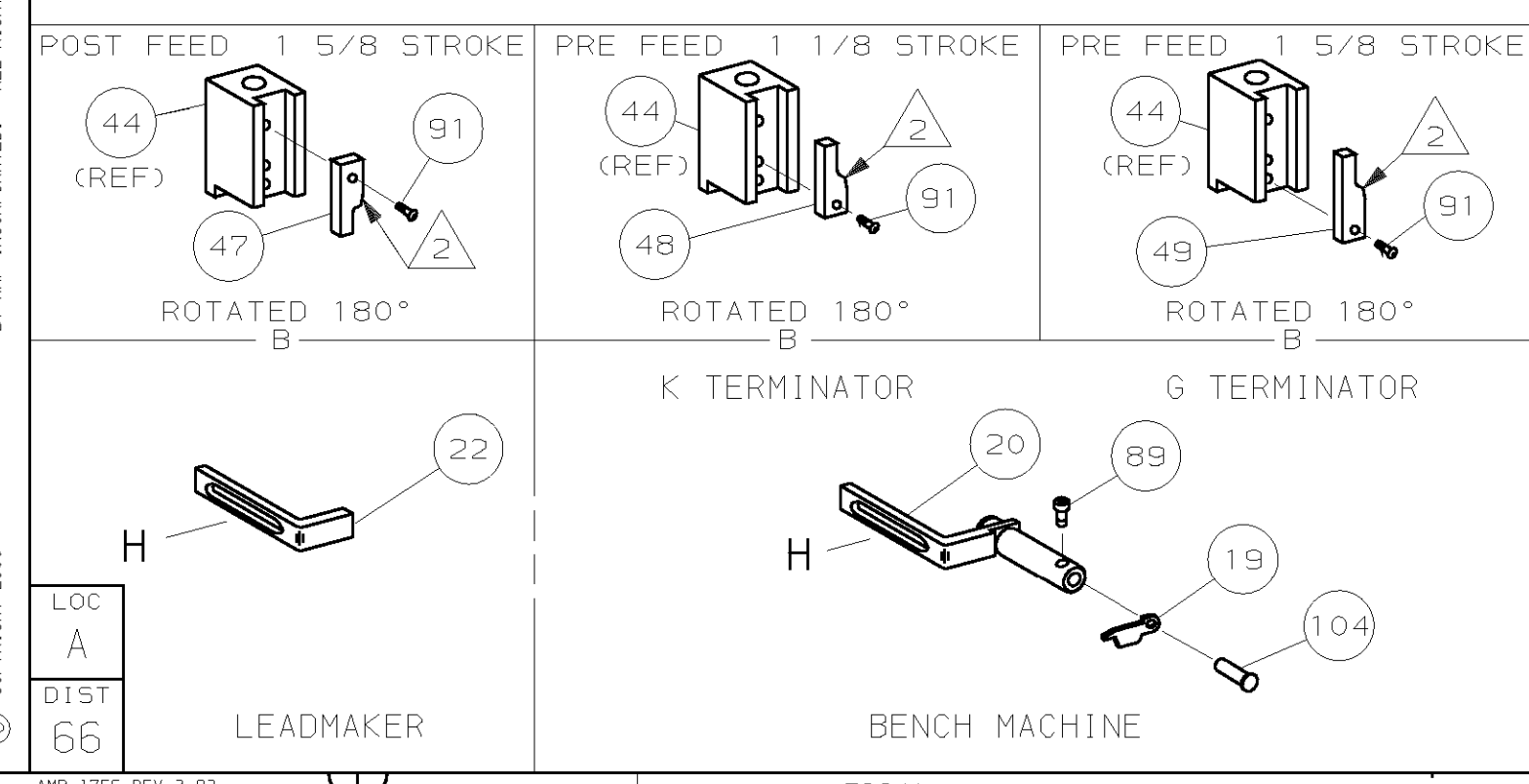


PART NUMBER	REV	FIRST USED
1385237 -1	A	122500-1
1385237 -2	A	565435-5
1385237 -3	A	354500-1



TERMINAL NAME: CRIMP TERMINAL .039 DIA PIN						
AMP PN	MFR PN	CIVILUX CORPORATION TERMINAL	AMP CRIMP SPECS			
286930	CD52TO*BPP		PAD LTR	CRIMP HEIGHT		
			A	.032 ±.002 [0.81 ±0.05mm]		
			B	.029 ±.002 [0.74 ±0.05mm]		
			C	NOT USED		
			D	NOT USED		
CRIMP		SIZE	TYPE	RANGE		
WIRE	.062	[1.57mm]	F	22-24		
INSUL	.070	[1.78mm]	F	.063MAX		
WIRE STRIP LENGTH	TERM APPL	SPEC	FEED	APPL INSTRUCTION	SET UP GAGE	LAYOUT
-	-	-	.299	408-8040	458637-1	L2508

QTY REOD PER ASSY		PARTS LIST							
QTY	REF	REF	REF	U/M	DWG SIZE	PART NO	DESCRIPTION	ITEM NO	
2	2	2	-	C		5-354779-9	PIN, WIRE DISC (.3285)B	127	
2	2	2	-	C		5-354779-4	PIN, WIRE DISC (.3260)A	126	
1	1	1	-	A		986950-1	WASHER, FLAT PRECISION	125	
1	1	1	-	A		217238-1	GENERAL INSTRUCTION PACKAGE	124	
1	1	1	-	-		4088040	SF APPL INST 408-8040	123	
								122	
1	1	1	-	A		4-21028-0	PIN,SLT SPR(φ.093x.75)ST GDE PL	121	
REF	REF	REF	-	A		1-21030-1	PIN,DOWEL (φ.187x.50)LEVER	120	
REF	REF	REF	-	A		1-21030-6	PIN,DOWEL (φ.187x1.25)HOUSING	119	
REF	REF	REF	-	A		21045-3	RING,RET "C"(φ.187)FD FING PIN	118	
1	1	1	-	A		21024-5	WASHER, LOCK (#10)ADJ BLOCK	117	
REF	REF	REF	-	A		21024-5	WASHER,LOCK (#10)ADJ PLATE	116	
REF	REF	REF	-	A		21024-5	WASHER,LOCK (#10)FEED GDE ROD	115	
2	2	2	-	A		21024-2	WASHER,LOCK (#4)FRONT STP GUIDE	114	
REF	REF	REF	-	A		5-21028-1	PIN,SLT SPR(φ.125x.50)ADJ ROD	113	
								112	
4	4	4	-	A		21024-4	WASHER,LOCK (#8)STRIPPER	111	
REF	REF	REF	-	A		21899-4	WASHER,FLAT (φ5/16)SCREW ADJ	110	
								109	
1	1	1	-	A		21018-5	NUT, HEX (NO.6)HOLDDOWN	108	
REF	REF	REF	-	A		21068-5	NUT, HEX (6-32)FEED ADJ	107	
								106	
								105	
1	1	-	-	A		992031-1	PIN, CLEVIS	104	
1	1	1	-	A		21009-2	SCR,SKT SET(1/4-20x.25 LW)RAM	103	
2	2	2	-	A		21017-2	SCR,DRIVE (#2x.19)ID PLATE	102	
REF	REF	REF	-	A		6-23715-5	SCR,PAN HD(6-32x1.50)FEED ADJ	101	
1	1	1	-	B		461264-1	PLATE, IDENTIFICATION	100	
2	2	2	-	A		3-21002-0	SCR,BHC(10-32x.88)DRAG	99	
1	1	1	-	A		22733-8	SCR,BHC(8-32x.38 LW)ANVIL	98	
REF	REF	REF	-	A		2-21002-9	SCR,BHC(10-32x.75)CAP	97	
REF	REF	REF	-	A		2-22733-8	SCR,BHC(1/4-20x.62)HOUSING	96	
REF	REF	REF	-	A		2-21002-7	SCR,BHC(10-32x.50)5G ADJ BLOCK	95	
4	4	4	-	A		2-21002-2	SCR,BHC(8-32x.50)TERM H DWN	94	
2	2	2	-	A		2-21002-2	SCR,BHC(8-32x.50)R STP GDE	93	
								92	
1	1	1	-	A		1-21002-7	SCR,BHC(6-32x.38)CAM	91	
								90	
1	1	-	-	A		7-21000-9	SCR,SHC(4-40x.19)STRIPPER	89	
								88	
2	2	2	-	A		2-21000-7	SCR,SHC(8-32x.48)DEP-HOLD	87	
1	1	1	-	A		2-22603-0	SCR,HEX HD(8-32x.31)FEED FINGER	86	
2	2	2	-	A		1-21000-3	SCR,SHC(4-40x.25)F ST GUIDE	85	
1	1	1	-	A		2-21000-7	SCR,SHC(8-32x.50)STRIPPER	84	
REF	REF	REF	-	A		3-21000-7	SCR,SHC(10-32x.75)FEED ROD GD	83	
REF	REF	REF	-	A		3-21000-6	SCR,SHC(10-32x.62)FD ADJ BLK	82	
1	1	1	-	A		3-21000-4	SCR,SHC(10-32x.38)5G ADJ BL	81	
REF	REF	REF	-	A		3-21000-4	SCR,SHC(10-32x.38)PIVOT BLK	80	
-	REF	-	-	B		455749-1	GUARD, WINDOW	79	
REF	-	-	-	B		679532-1	INSERT, GUARD	78	
								77	
								76	
								75	
1	1	1	-	A		690603-1	SPRING, ASSIST	74	
1	1	1	-	A		23030-1	SCR,SHC(6-32x.25 SL)INS DISC	73	
REF	REF	REF	-	A		458109-1	WASHER, SPECIAL	72	
REF	REF	REF	-	A		690517-1	SPACER	71	
								70	
								69	
								68	
								67	
								66	
								65	
								64	
								63	
								62	
								61	
								60	
								59	
								58	
								57	
								56	
								55	
								54	
								53	
								52	
								51	
								50	
								49	
								48	
								47	
								46	
								45	
								44	
								43	
								42	
								41	
								40	
								39	
								38	
								37	
								36	
								35	
								34	
REF	REF	REF	-	B		1-690786-3	SUPPORT, TERMINAL	33	
REF	REF	REF	-	D		455675-1	PLATE, BASE	32	
1	1	1	-	A		690432-3	SCREW, ADJUSTMENT	31	
								30	
REF	REF	REF	-	B		455689-1	BLOCK, STRIP GUIDE ADJ	29	
1	1	1	-	C		455671-8	PLATE, STRIP GUIDE	28	
1	1	1	-	C		1-455888-0	SPACER, FRONT SHEAR DEP	27	
2	2	2	-	A		1-22284-0	SPRING, DRAG	26	
1	1	1	-	B		690546-1	LEVER, DRAG RELEASE	25	
1	1	1	-	B		240792-1	DRAG, TERMINAL	24	
1	1	1	-	D		5-690504-9	GUIDE, STRIP (REAR)	23	
1	1	1	-	A		690438-1	GUIDE, STRIP (FRONT)	22	
-	-	1	-	B		690472-2	STRIPPER	21	
REF	REF	REF	-	A		4-22284-9	SPRING, FEED RETURN	20	
1	1	-	-	A		679218-1	STRIPPER WIRE STOP ASSY	19	
1	1	-	-	B		458949-1	STRIPPER	18	
								17	
1	1	1	-	B		318563-1	GUARD, CHIP, FRONT	16	
								15	
								14	
								13	
1	1	1	-	A		5-22280-0	SPRING, SHEAR	12	
1	1	1	-	B		690461-1	STOP, SHEAR	11	
1	1	1	-	C		690459-1	HOLDER, SHEAR (FRONT)	10	
1	1	1	-	C		462006-1	SHEAR, FLOAT (FRONT)	9	
1	1	1	-	C		2-662184-8	ANVIL	8	
								7	
								6	
1	1	1	-	C		2-455889-0	DEPRESSOR, SHEAR (FRONT)	5	
1	1	1	-	B		2-238011-0	SPACER, BLOCK CRIMPER	4	
1	1	1	-	C		683453-6	CRIMPER, INSULATION	3	
1	1	1	-	C		455888-4	SPACER, CRIMPER	2	
1	1	1	-	C		4-456403-2	CRIMPER, WIRE	1	



- 1 RECOMMENDED SPARE PARTS.
- 2 GREASE LIGHTLY.
- 3 GUARD MUST BE IN PLACE WHEN OPERATING APPLICATOR IN A BENCH MACHINE.
- 4 LUBRICATE DAILY USING NO. 20 MACHINE OIL.
- 5. ITEMS WITH QTY OF REF SPECIFIED (EXCEPT ITEMS 78 AND 79) ARE USED ON ITEM 46.
- 6 CUT TO LENGTH AT ASSY

REV	LEADMAKER	MECH POST FEED	MECH PRE FEED						
-1	LEADMAKER	MECH POST FEED							
-2	BENCH MODEL K	MECH PRE FEED							
-3	BENCH MODEL G	MECH PRE FEED							
REF	REF	REF	-	B	22594-8	NUT, HEX (1/2-20)		70	
REF	REF	REF	-	B	240628-1	PLATE, ADJUSTMENT		69	
REF	REF	REF	-	B	240626-1	SHAFT, PIVOT		68	
REF	REF	REF	-	B	240633-1	BUSHING		67	
REF	REF	REF	-	A	455680-1	LEVER, INTERMEDIATE		66	
REF	REF	REF	-	B	240629-1	BLOCK, PIVOT		65	
REF	REF	REF	-	A	240632-2	SCREW, ADJ FEED ROD		64	
REF	REF	REF	-	B	240659-3	PIN, CAM ROLLER		63	
REF	REF	REF	-	B	240658-1	ROLLER, CAM		62	
REF	REF	REF	-	B	454398-2	ROD, FEED		61	
REF	REF	REF	-	A	454178-1	GUIDE, FEED ROD		60	
REF	REF	REF	-	C	454220-1	CAP, RAM		59	
REF	REF	REF	-	D	454485-1	HOUSING		58	
								57	
1	1	1	-	B	690542-2	PAWL, FEED		56	
REF	REF	REF	-	B	240624-1	PIN, FEED FINGER		55	
REF	REF	REF	-	B	691499-1	SPRING, FEED FINGER		54	
REF	REF	REF	-	B	690541-1	HOLDER, FEED FINGER		53	
REF	REF	REF	-	A	455679-1	LEVER, TERMINAL FEED ARM		52	
1	1	1	-	A	811242-2	BUMPER, HOLDDOWN		51	
1	1	1	-	A	690753-1	SPACER, TONKER		50	
1	-	-	-	B	690602-6	CAM, PRE-FEED 1 5/8 ST		49	
-	1	-	-	B	690602-5	CAM, PRE-FEED 1 1/8 ST		48	
-	-	1	-	B	690501-4	CAM, POST-FEED 1 5/8 ST		47	
1	1	1	-	B	459456-1	APPLICATOR, BASIC (SUBASSY)		46	
1	1	1	-	A	690191-1	PLUG, NYLON		45	
1	1	1							