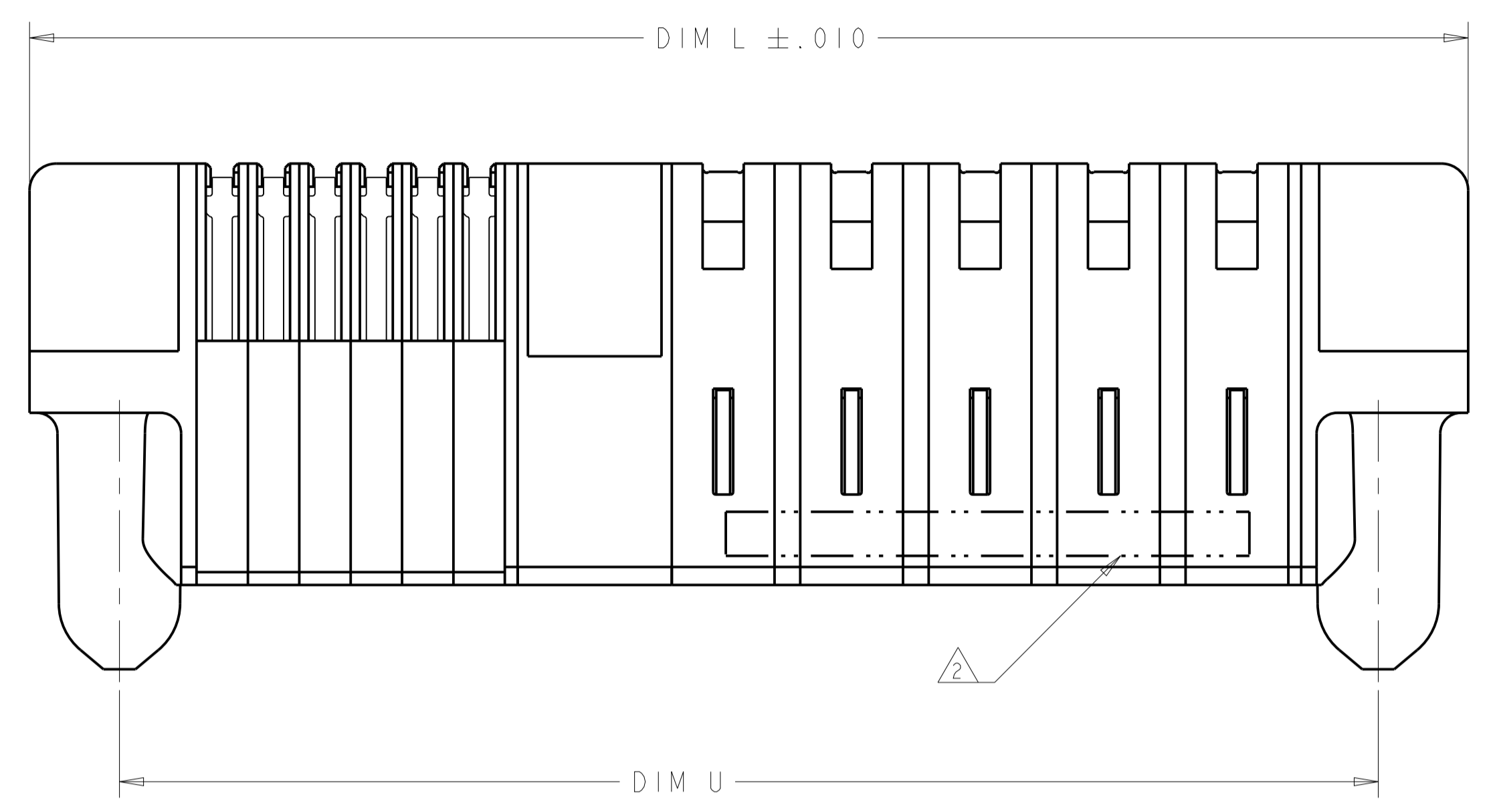
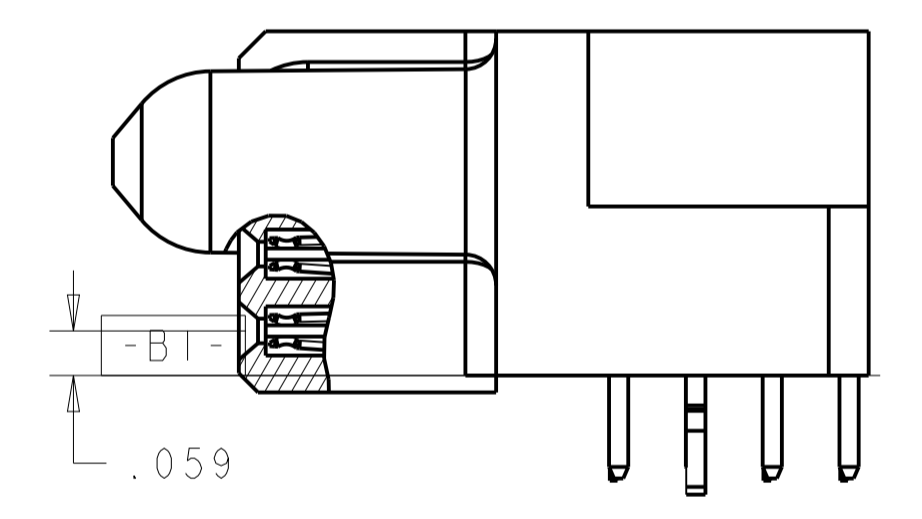
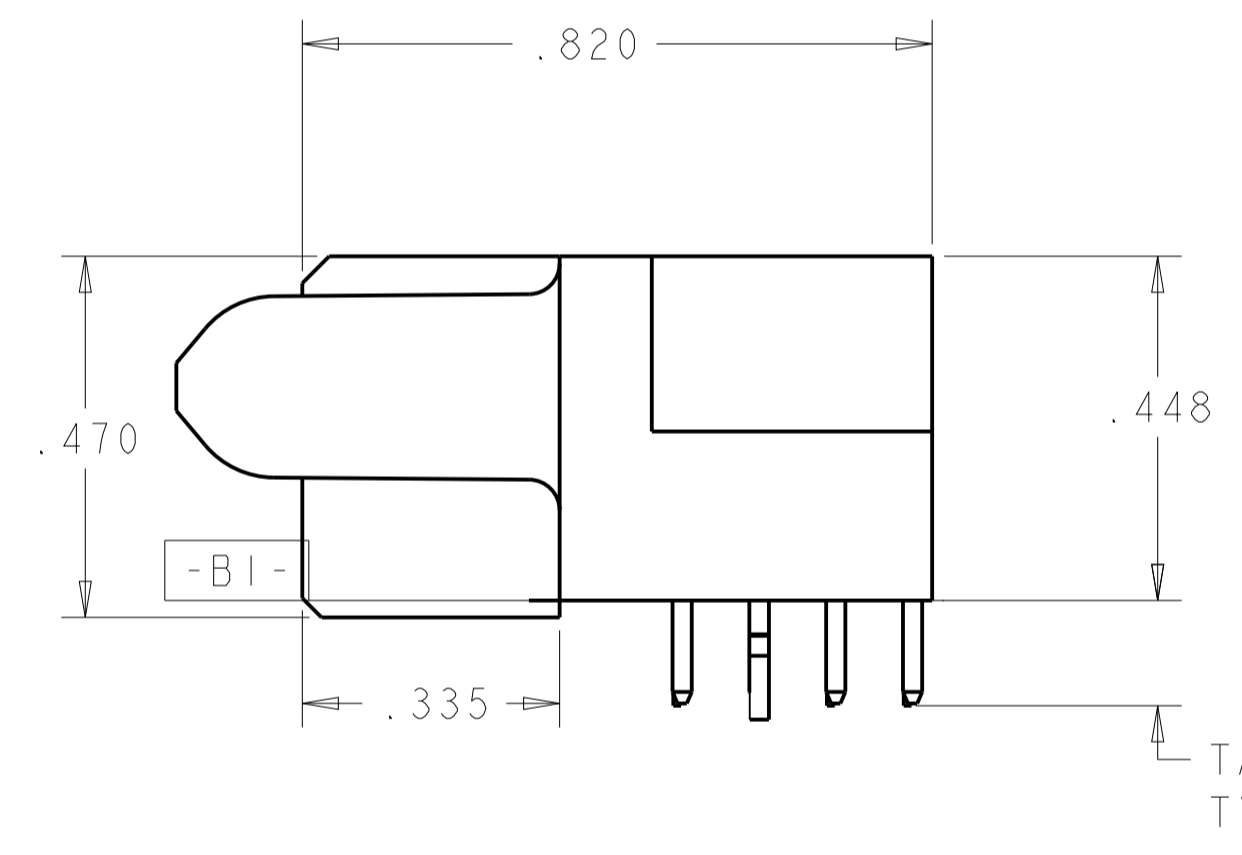
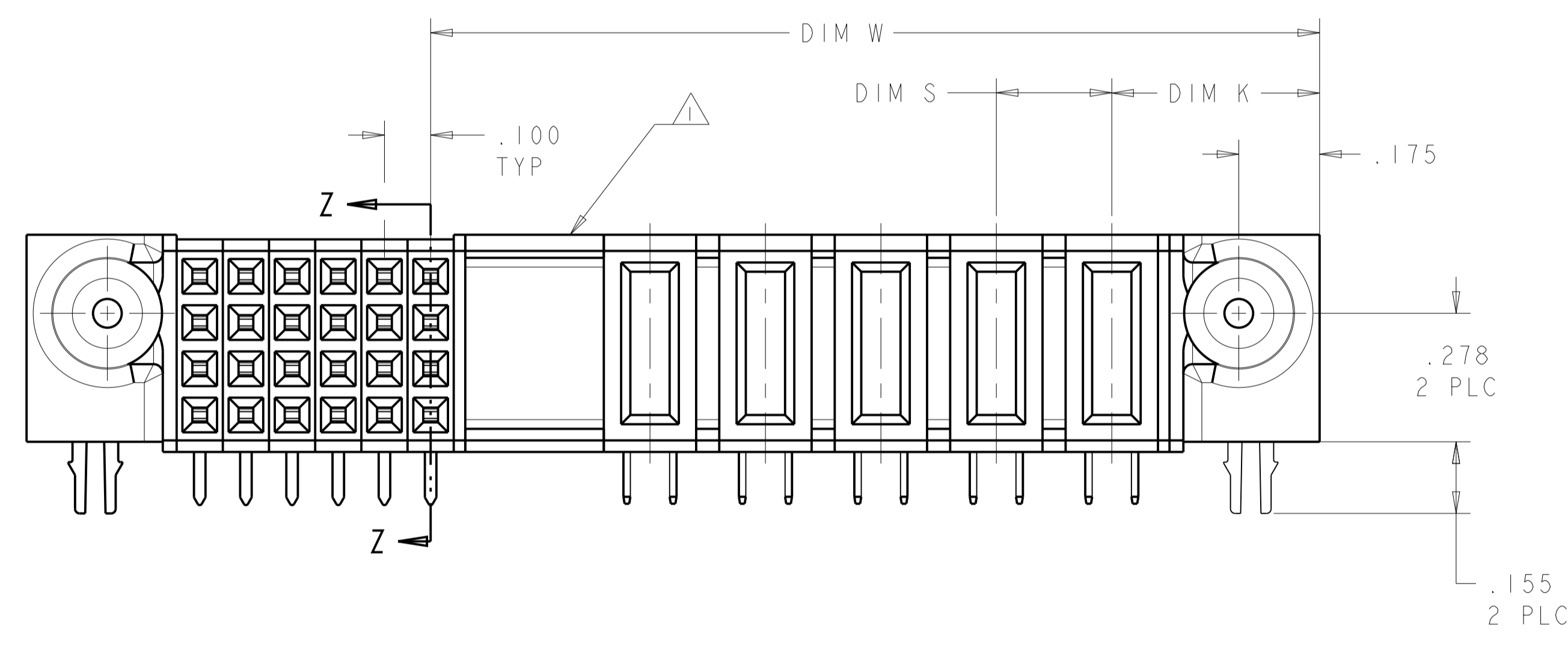


LOC	DIST	REV	DATE	BY	CHK	APPV
ES	00					

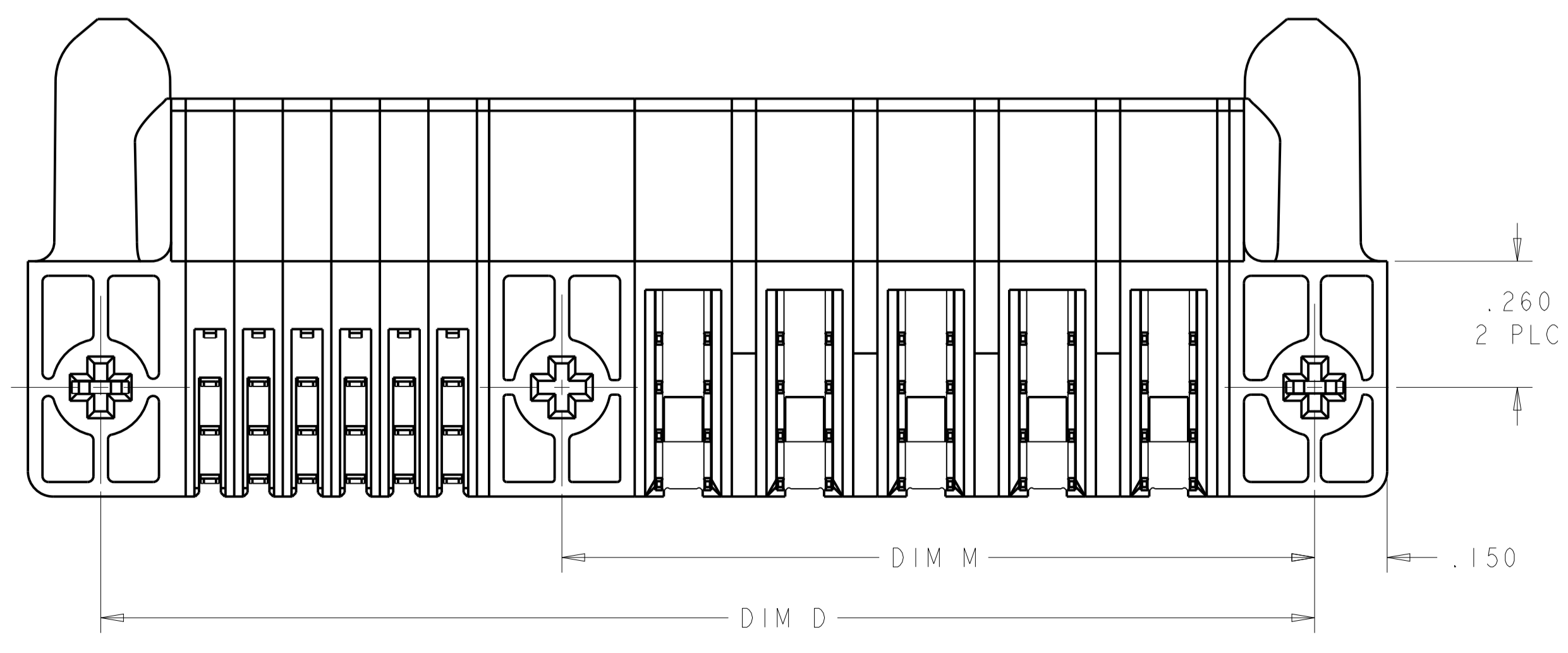
REVISIONS						
REV	DATE	BY	CHK	APPV	DESCRIPTION	DATE
E3	7JAN2012	OL	SZ		ADD NEW DASH NUMBER -14	
E4	23JAN2013	CZ	SZ		ADDED NEW DASH NUMBER -15	
E5	05FEB2013	CZ	SZ		ADD FRONT VIEW FOR PART 1-5	
E9	11AUG2014	AL	SZ		ADD NEW DASH NUMBER 1-6	



- 1 OPTIONAL CENTER MODULE WITH Ø.150 THRU HOLE OR HOLD DOWN FEATURE.
- 2 "AMP", PART NUMBER, AND DATE CODE TO BE MARKED IN AREA SHOWN.
- 3 MATERIAL: HOUSING - GLASS FILLED HIGH TEMP THERMO PLASTIC, UL94 V-0
 SIGNAL CONTACT - HIGH CONDUCTIVITY COPPER ALLOY
 POWER CONTACT - HIGH CONDUCTIVITY COPPER ALLOY
- 4 CONTACT PLATING: NOBLE METAL PLATING ON FUNCTIONAL AREA FOR SIGNAL AND POWER CONTACTS
- 5 MECHANICAL CONNECTOR KEEP OUT ZONE.
- 6 DATUM AND BASIC DIMENSIONS ESTABLISHED BY CUSTOMER.
- 7 PCB - ALL HOLE DIAMETERS ARE FINISHED HOLE SIZES.
- 8 PCB - .0453 +/- .0010 DRILLED HOLES PLATES WITH .0003 MIN Sn OVER .001 TO .003 PLATING TO ACHIEVE A .040 DIA. HOLE.
- 9 NOT RELEASED FOR PRODUCTION.



SECTION Z-Z



U	S	W	D	M	L	K	DESCRIPTION	PART NUMBER
2.400	.250	1.875	2.450	-	2.750	.450	6P + 24S	1-6450162-6
2.400	.250	1.875	2.450	-	2.750	.450	6P + 24S	1-6450162-5
1.900	.250	1.375	1.950	-	2.250	.450	4P + 24S	1-6450162-4
1.600	.250	1.375	1.650	-	1.950	.450	4P + 12S	1-6450162-2
1.000	.250	.875	1.050	-	1.350	.450	2P + 8S	1-6450162-1
2.900	.250	2.375	2.950	-	3.250	.450	8P + 24S	6450162-9
3.800	.250	2.875	3.850	-	4.150	.450	10P + 40S	6450162-8
1.650	.200	1.225	1.700	-	2.000	.450	4P + 20S	6450162-7
1.700	.250	1.375	1.750	-	2.050	.450	4P + 16S	6450162-5
2.675	.250	2.125	2.725	-	3.025	.450	7P + 24S	6450162-2
4.600	.250	3.875	4.650	-	4.950	.450	14P + 32S	6450162-1

THIS DRAWING IS A CONTROLLED DOCUMENT.

DIMENSIONS: INCHES

TOLERANCES UNLESS OTHERWISE SPECIFIED:
 0 PLC ±.01
 1 PLC ±.01
 2 PLC ±.005
 3 PLC ±.002
 ANGLES ±.020

MATERIAL: 3 FINISH: 4

OWN: R. GRZYBOWSKI 21FEB05
 CHK: M. PERCHERKE
 APV: M. PERCHERKE

PRODUCT SPEC: 108-1973
 APPLICATION SPEC: 114-13038

SIZE: 114-13038
 WEIGHT: Customer Drawing

SCALE: 4:1 SHEET 1 OF 5 REV: E9

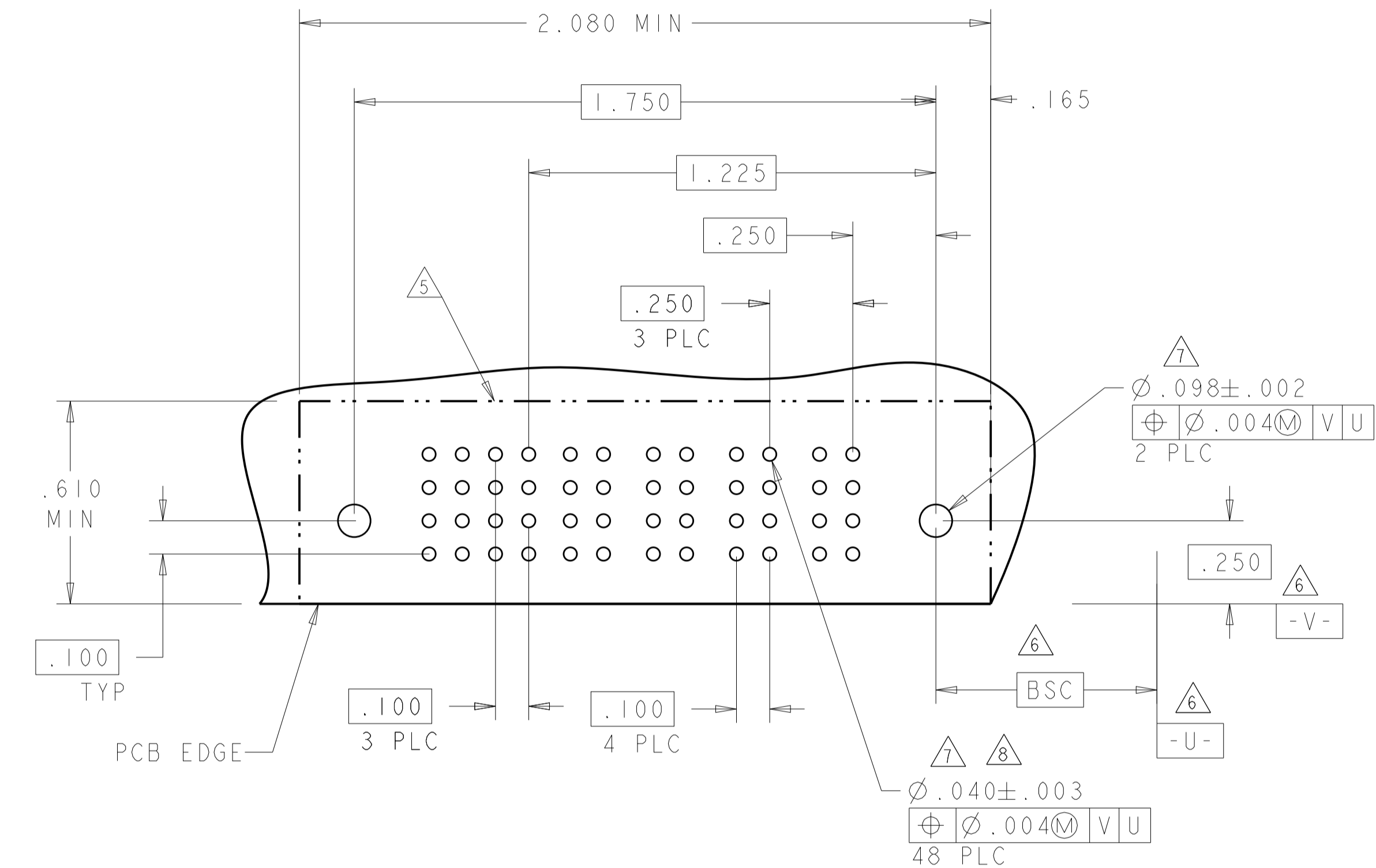
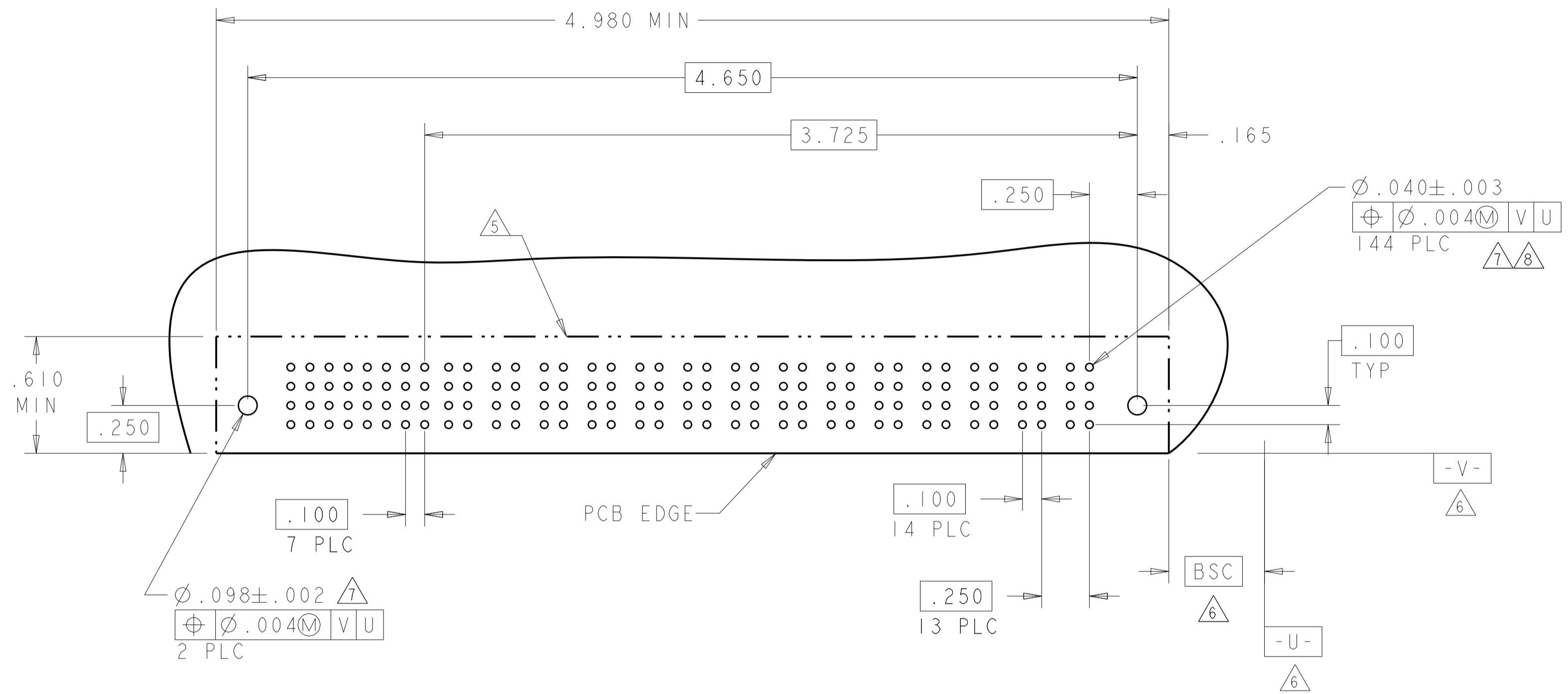
TE Connectivity
 RIGHT ANGLE RECEPTACLE ASSEMBLY WITH GUIDES MULTI-BEAM XL
 A100779C=6450162

LOC	DIST	REV	DATE	BY	APPV
ES	00				

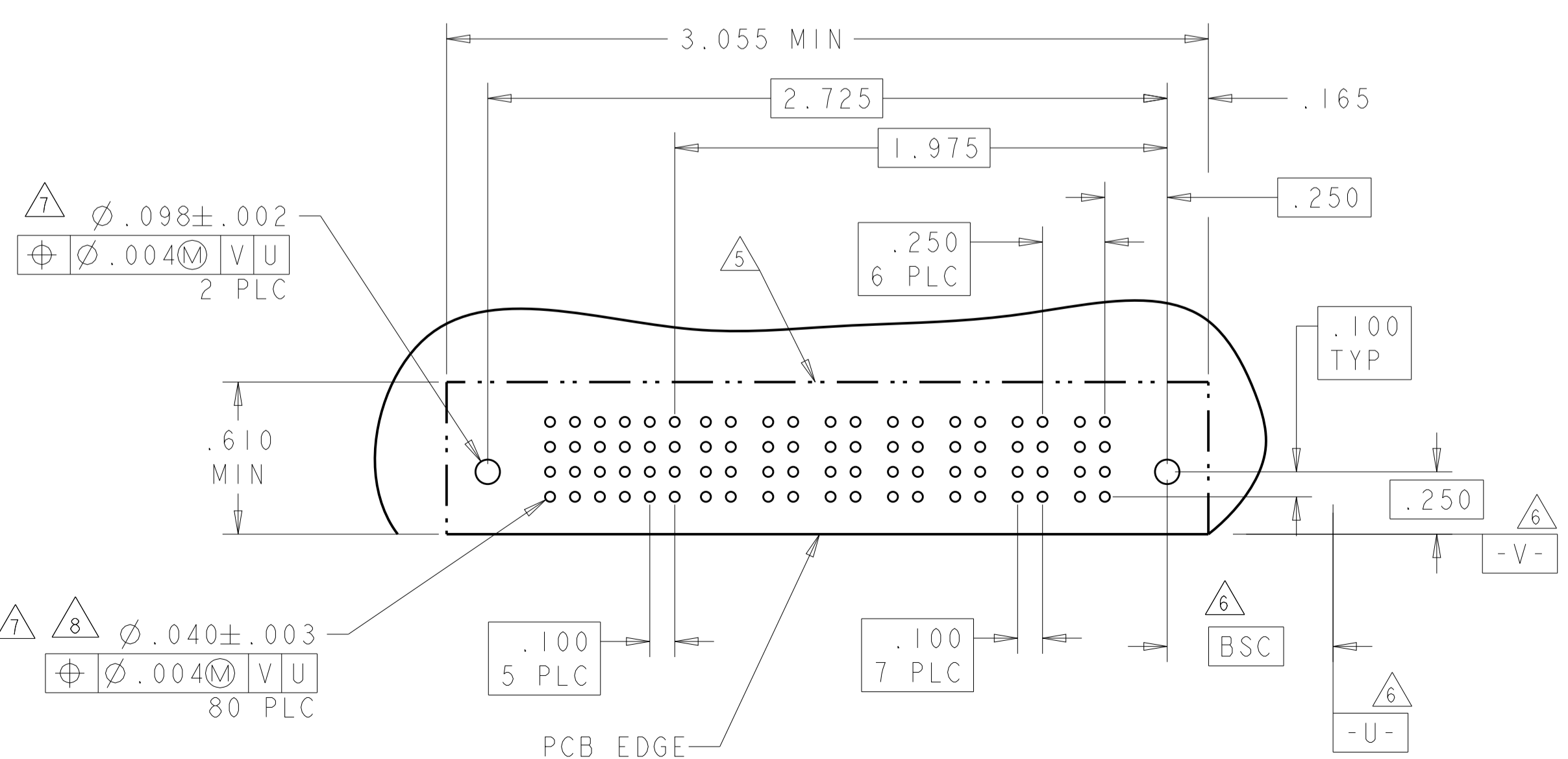
REVISIONS		DATE	BY	APPV
1	SEE SHEET 1			

PART NUMBER	ROWS	SIGNAL								POWER													
		8	7	6	5	4	3	2	1	PI4	PI3	PI2	PI1	PI0	P9	P8	P7	P6	P5	P4	P3	P2	P1
6450162-1	D C B A	H	H	H	H	H	H	H	H	RA	RA	RA	RA	RA	RA	RA	RA	RA	RA	RA	RA	RA	RA
		G	G	G	G	G	G	G	G														
		F	F	F	F	F	F	F	F														
14P + 32S		E	E	E	E	E	E	E															

PART NUMBER	ROWS	SIGNAL				POWER			
		4	3	2	1	P4	P3	P2	P1
6450162-5	D C B A	H	H	H	H	RA	RA	RA	RA
		G	G	G	G				
		F	F	F	F				
4P + 16S		E	E	E	E				



PART NUMBER	ROWS	SIGNAL						POWER						
		6	5	4	3	2	1	P7	P6	P5	P4	P3	P2	P1
6450162-2	D C B A	H	H	H	H	H	H	RA	RA	RA	RA	RA	RA	RA
		G	G	G	G	G	G							
		F	F	F	F	F	F							
7P + 24S		E	E	E	E	E	E							



CODE	DESCRIPTION	ROW
RN	STD POWER-.090 TAIL	-
RM	STD POWER-.135 TAIL	-
RB	MFBL POWER-.090 TAIL	-
RA	MFBL POWER-.135 TAIL	-
L	.090 TAIL LENGTH SIGNAL	D
K	.090 TAIL LENGTH SIGNAL	C
J	.090 TAIL LENGTH SIGNAL	B
I	.090 TAIL LENGTH SIGNAL	A
H	.135 TAIL LENGTH SIGNAL	D
G	.135 TAIL LENGTH SIGNAL	C
F	.135 TAIL LENGTH SIGNAL	B
E	.135 TAIL LENGTH SIGNAL	A

CONTACT TABLE

THIS DRAWING IS A CONTROLLED DOCUMENT.

DIMENSIONS: INCHES	TOLERANCES UNLESS OTHERWISE SPECIFIED:	OWN: R. GRZYBOWSKI	21FE05
0 PLC ± .01	1 PLC ± .01	CHK: M. PERCHERKE	21FE05
2 PLC ± .01	3 PLC ± .01	APVD: M. PERCHERKE	
4 PLC ± .005	5 PLC ± .005	NAME: M. PERCHERKE	
ANGLES ± .002		PRODUCT SPEC: 108-1973	
		APPLICATION SPEC: 114-13038	
MATERIAL: -	FINISH: -	WEIGHT: -	RESTRICTED TO: -
		Customer Drawing	SCALE: 1:1 SHEET 2 OF 5 REV: E9

STE TE Connectivity

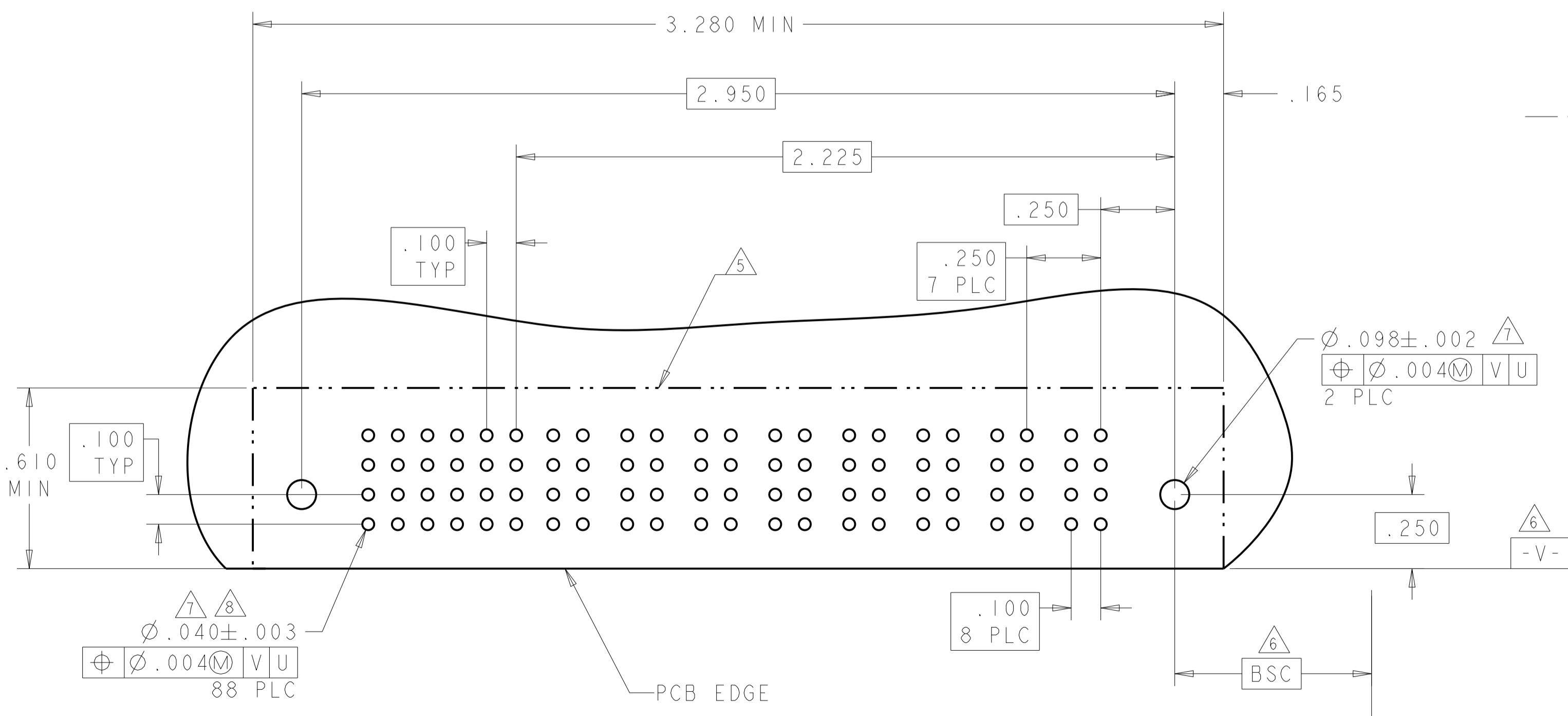
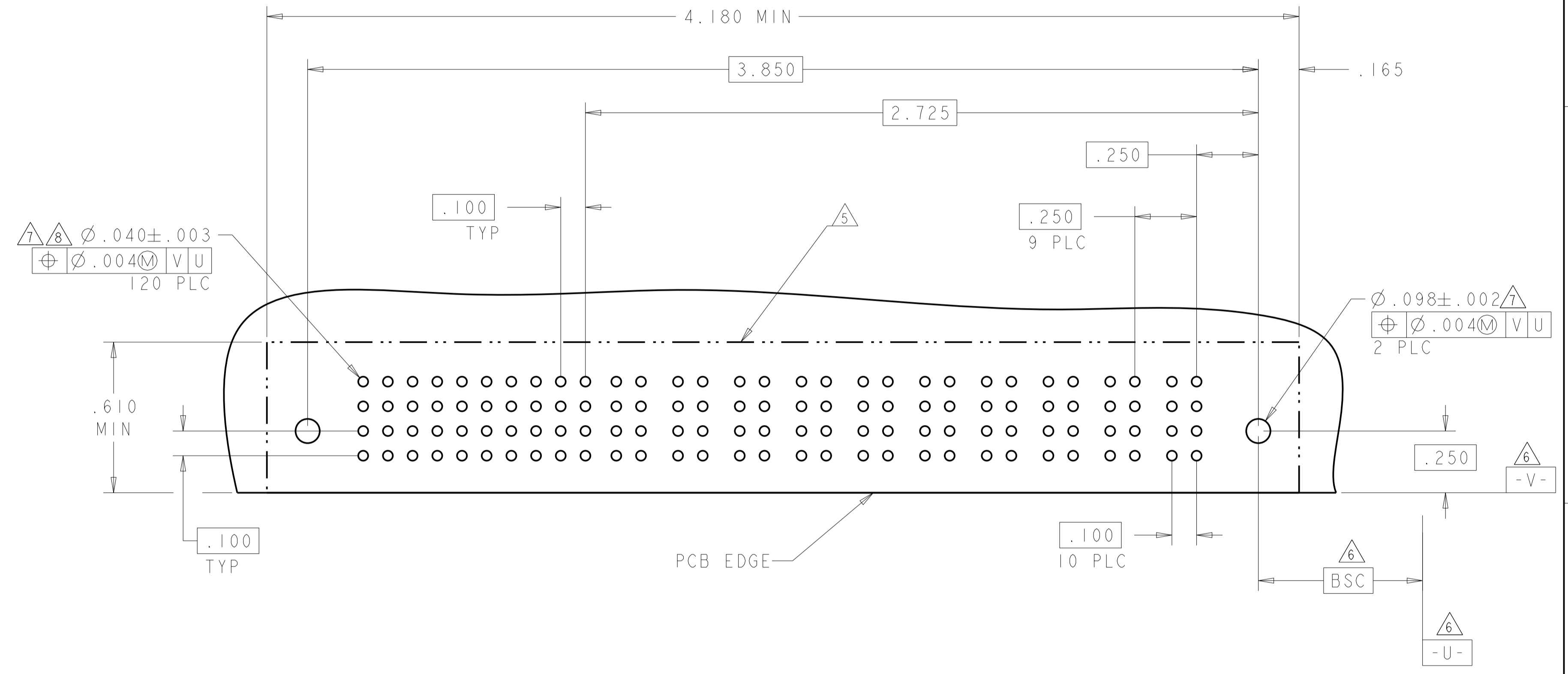
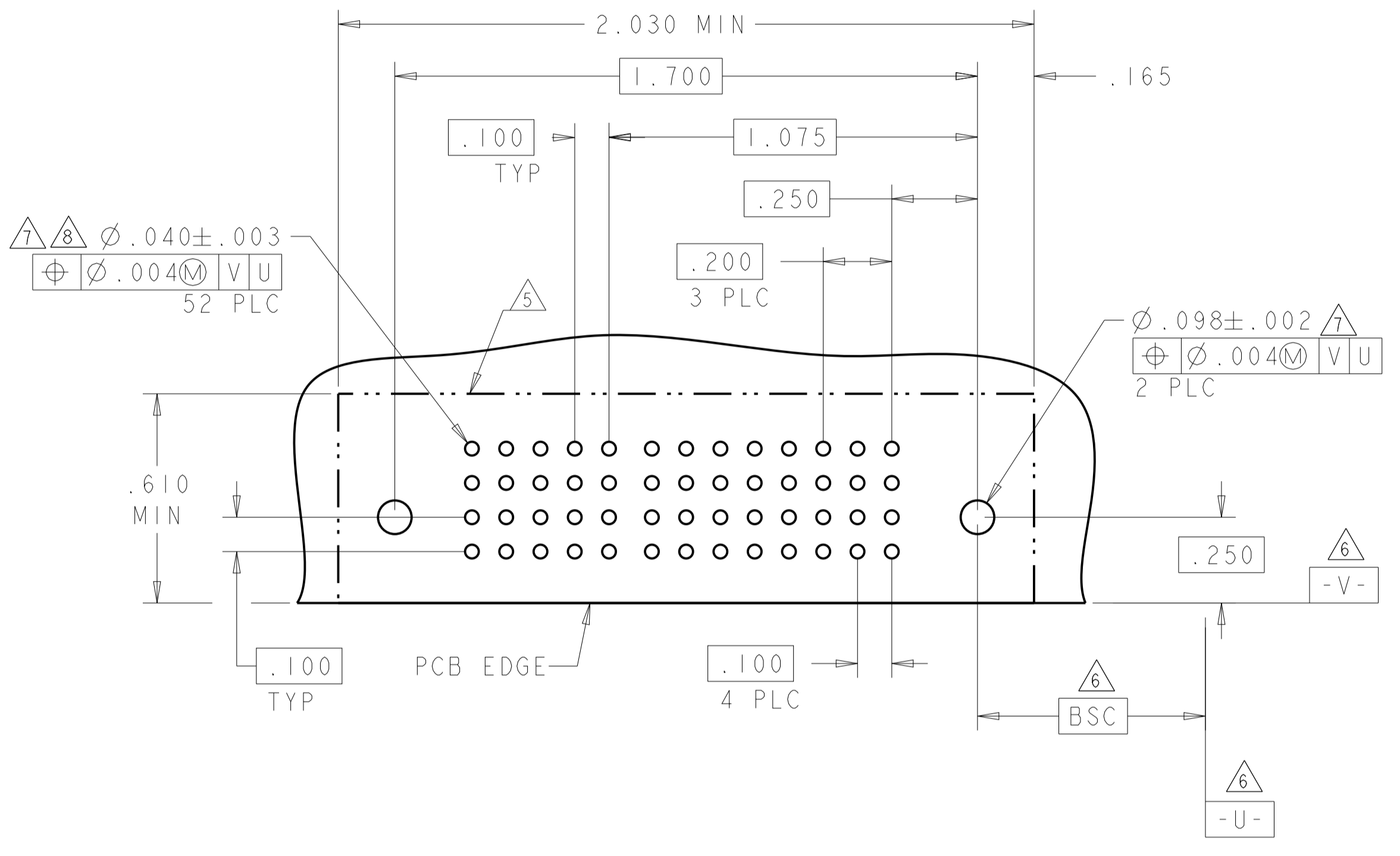
RIGHT ANGLE RECEPTACLE ASSEMBLY WITH GUIDES MULTI-BEAM XL

SIZE: CAGE CODE: DRAWING NO: A100779 ©=6450162

LOC	DIST	REV	DATE	APPV
ES	00			

PART NUMBER	ROWS	SIGNAL					POWER				
		5	4	3	2	1	P4	P3	P2	P1	
6450162-7	DCBA	H	H	H	H	H	RA	RA	RA	RA	
		G	G	G	G	G					
		F	F	F	F	F					
		E	E	E	E	E					
4P + 20S		HD								HD	

PART NUMBER	ROWS	SIGNAL										POWER											
		10	9	8	7	6	5	4	3	2	1	P10	P9	P8	P7	P6	P5	P4	P3	P2	P1		
6450162-8	DCBA	L	L	L	L	L	L	L	L	L	L	RN	RN	RN	RN	RN	RN	RN	RN	RN	RN		
		K	K	K	K	K	K	K	K	K	K												
		J	J	J	J	J	J	J	J	J	J												
		I	I	I	I	I	I	I	I	I	I												
10P + 40S		HD																				HD	



PART NUMBER	ROWS	SIGNAL					POWER								
		6	5	4	3	2	1	P8	P7	P6	P5	P4	P3	P2	P1
6450162-9	DCBA	H	H	H	H	H	RM	RM	RM	RM	RM	RM	RM	RM	RM
		G	G	G	G	G									
		F	F	F	F	F									
		E	E	E	E	E									
8P + 24S		HD												HD	

THIS DRAWING IS A CONTROLLED DOCUMENT.

OWN: R. GRZYBOWSKI, 21FEB05
 CHK: M. PERCHERKE, 21FEB05
 APVD: M. PERCHERKE

TE Connectivity

RIGHT ANGLE RECEPTACLE ASSEMBLY WITH GUIDES MULTI-BEAM XL

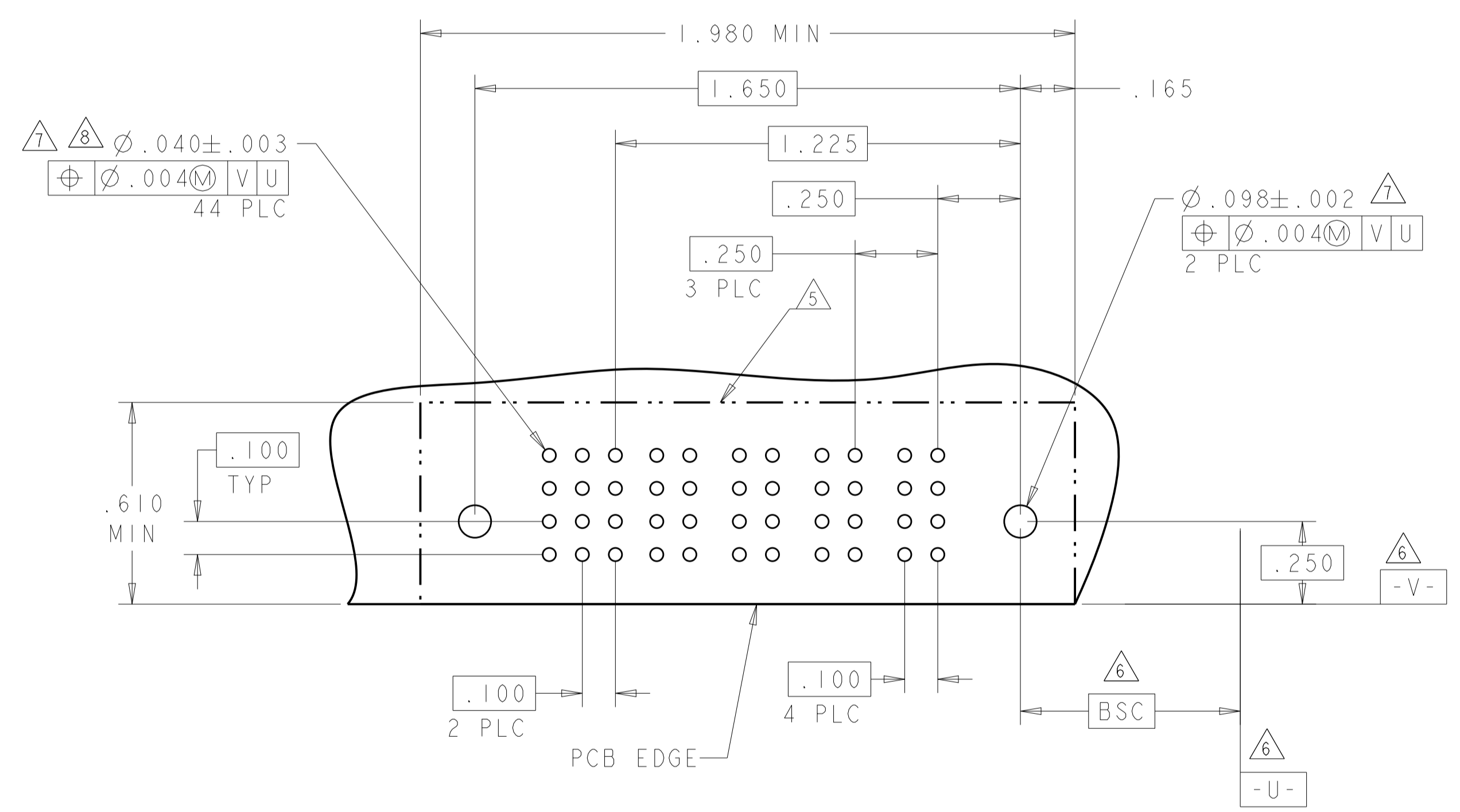
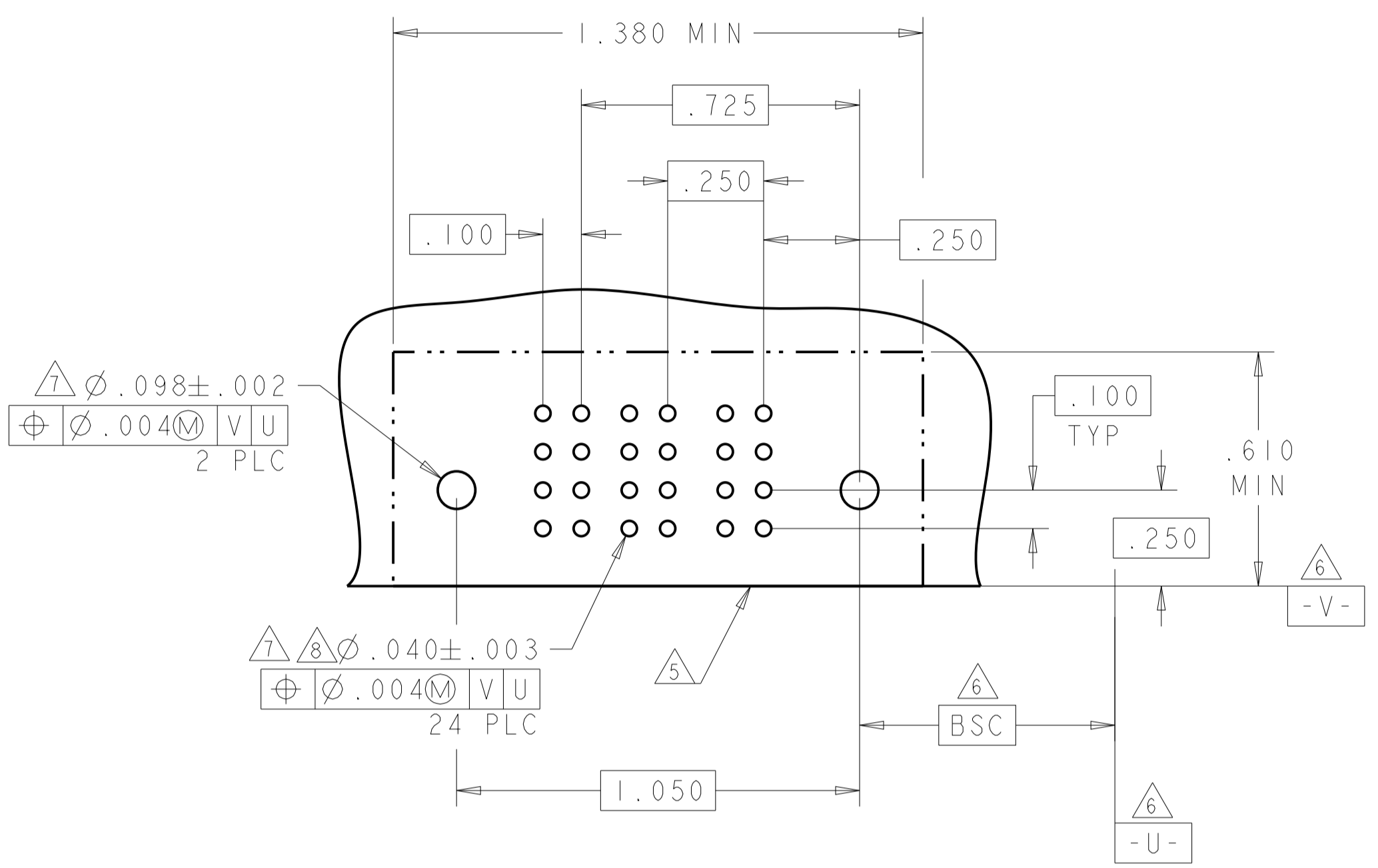
Customer Drawing

SCALE: 4:1 SHEET 3 OF 5 REV: E9

LOC		DIST		REVISIONS			
P	LTN	DESCRIPTION	DATE	DMN	APVD		
-	-	SEE SHEET 1	-	-	-	-	-

PART NUMBER	ROWS	SIGNAL		POWER	
		2	1	P1	P2
1-6450162-1	D C B A	H	H	RM	RM
		G	G		
		F	F		
		E	E		
2P + 8S		HD			HD

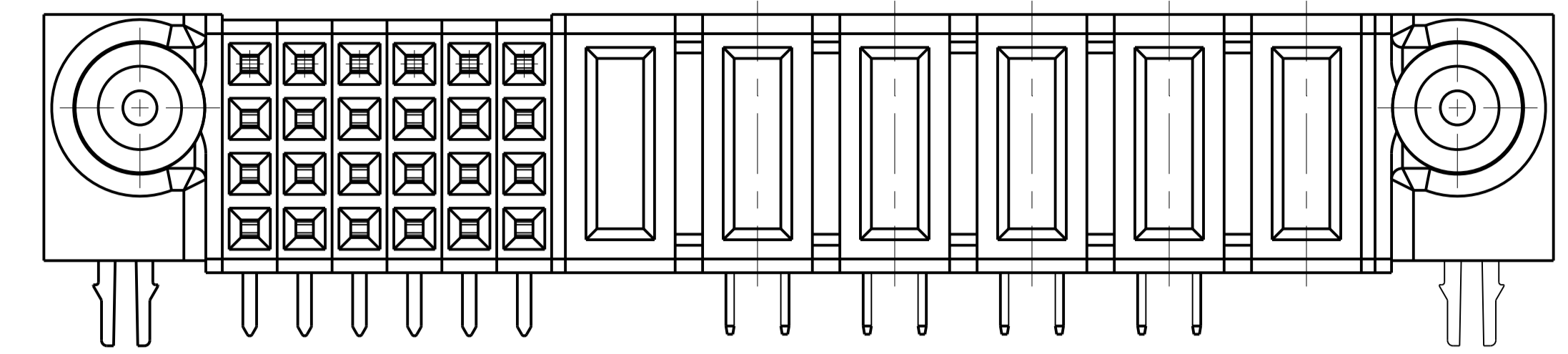
PART NUMBER	ROWS	SIGNAL			POWER			
		3	2	1	P4	P3	P2	P1
1-6450162-2	D C B A	H	H	H	RM	RM	RM	RM
		G	G	G				
		F	F	F				
		E	E	E				
4P + 12S		HD						HD



THIS DRAWING IS A CONTROLLED DOCUMENT.		DMN R. GRZYBOWSKI	21FEB05		TE Connectivity
DIMENSIONS: INCHES		CHK M. PERCHERKE	21FEB05		NAME RIGHT ANGLE RECEPTACLE ASSEMBLY WITH GUIDES MULTI-BEAM XL
TOLERANCES UNLESS OTHERWISE SPECIFIED:		APVD M. PERCHERKE	-	PRODUCT SPEC 108-1973	
0 PLC ±.01		APPLICATION SPEC 114-13038		SIZE A100779C=6450162	
1 PLC ±.01		WEIGHT		RESTRICTED TO	
2 PLC ±.01		Customer Drawing		SCALE 4:1 SHEET 4 OF 5 REV E9	
3 PLC ±.005					
4 PLC ±.0020					
ANGLES ±.2°					
MATERIAL					
FINISH					

LOC		DIST		REVISIONS				
ES	00	REV	DATE	DESCRIPTION	DATE	BY	APPROV	
		-	-	SEE SHEET 1	-	-	-	

PART NUMBER	ROWS	SIGNAL						POWER			
		6	5	4	3	2	1	P4	P3	P2	P1
I-6450162-4	D C B A	H	H	H	H	H	H	RM	RM	RM	RM
		G	G	G	G	G	G				
		F	F	F	F	F	F				
		E	E	E	E	E	E				
4P + 24S											

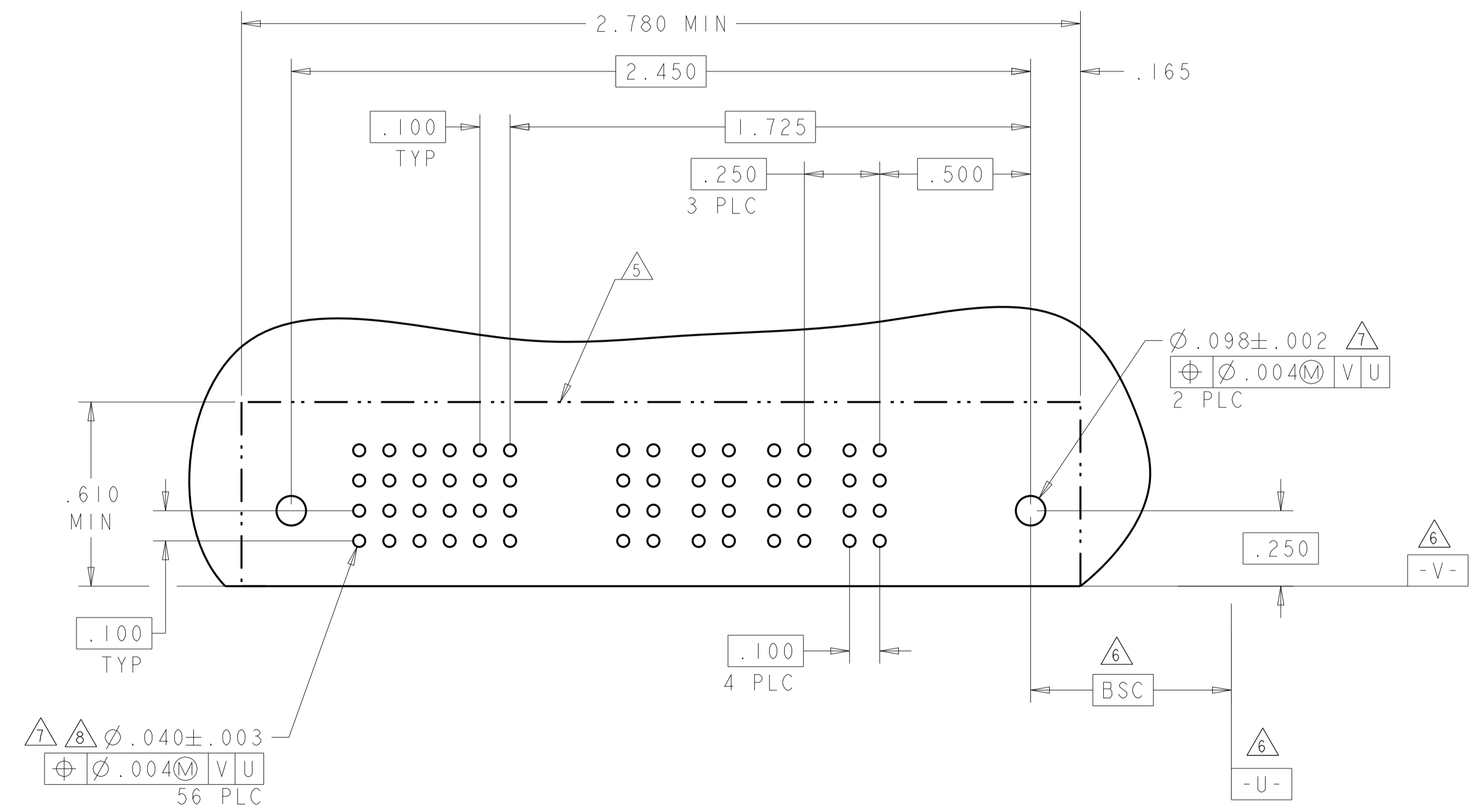
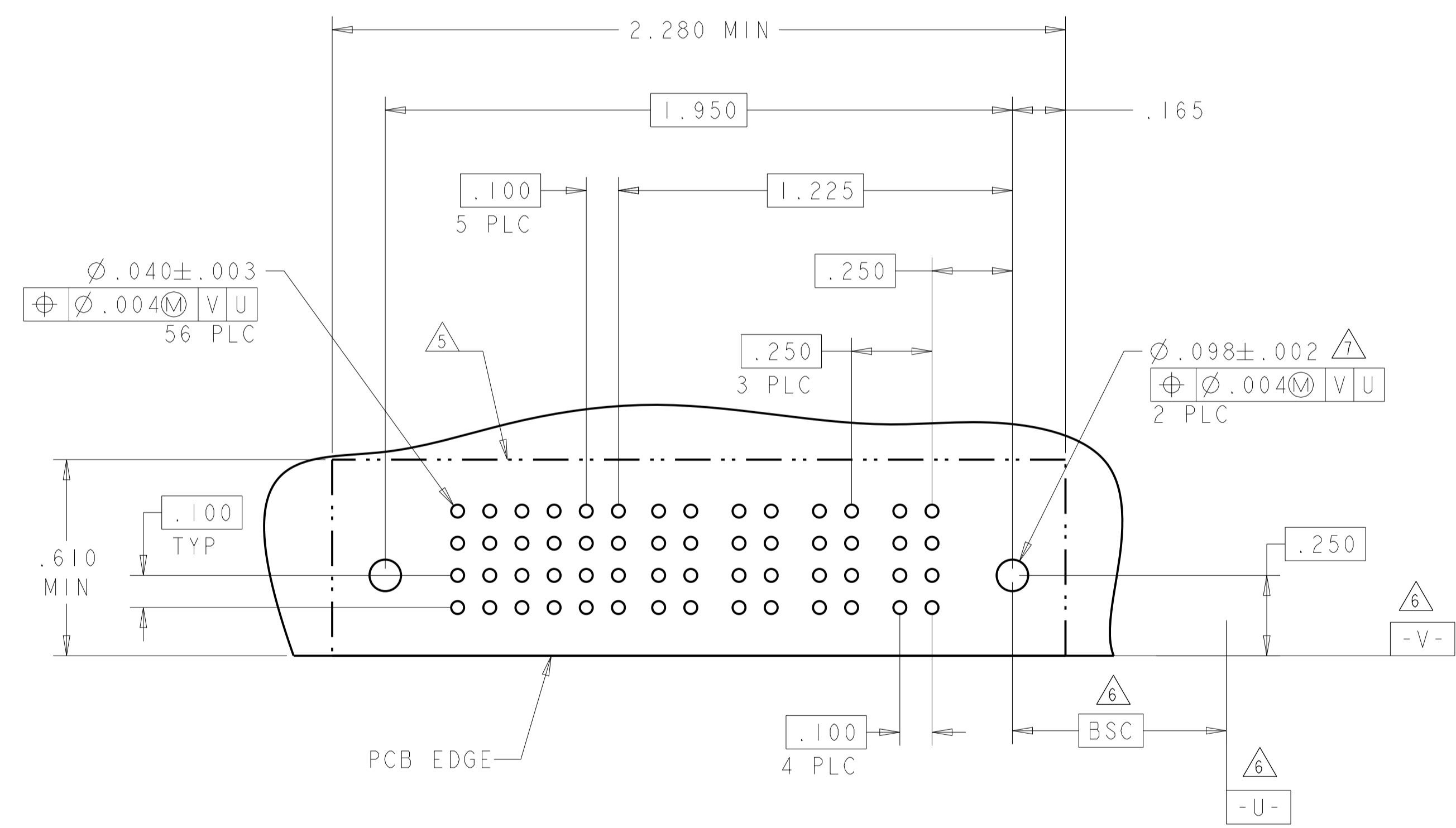


PART NUMBER	ROWS	SIGNAL						POWER					
		6	5	4	3	2	1	P6	P5	P4	P3	P2	P1
I-6450162-5	D C B A	H	H	H	H	H	H	RM	RM	RM	RM		
		G	G	G	G	G	G						
		F	F	F	F	F	F						
		E	E	E	E	E	E						
6P + 24S													

NO CONTACTS LOADED

PART NUMBER	ROWS	SIGNAL						POWER					
		6	5	4	3	2	1	P6	P5	P4	P3	P2	P1
I-6450162-6	D C B A	L	L	L	L	L	L	RN	RN	RN	RN		
		K	K	K	K	K	K						
		J	J	J	J	J	J						
		I	I	I	I	I	I						
6P + 24S													

NO CONTACTS LOADED



THIS DRAWING IS A CONTROLLED DOCUMENT.		OWN: R. GRZYBOWSKI 21FEB05	STE TE Connectivity
DIMENSIONS: INCHES		CHK: M. PERCHERKE 21FEB05	
TOLERANCES UNLESS OTHERWISE SPECIFIED:		APVD: M. PERCHERKE	NAME: RIGHT ANGLE RECEPTACLE ASSEMBLY WITH GUIDES MULTI-BEAM XL
0 PLC ±.01		PRODUCT SPEC: 108-1973	SIZE: 114-13038
1 PLC ±.01		APPLICATION SPEC: 114-13038	WEIGHT: -
2 PLC ±.01		APPLIC. SPEC: 114-13038	FINISH: -
3 PLC ±.005		APPLIC. SPEC: 114-13038	REVISIONS: -
4 PLC ±.002		APPLIC. SPEC: 114-13038	SCALE: 4:1
ANGLES ±.020		APPLIC. SPEC: 114-13038	SHEET 5 OF 5
MATERIAL: -		WEIGHT: -	REV: E9
FINISH: -		WEIGHT: -	Customer Drawing