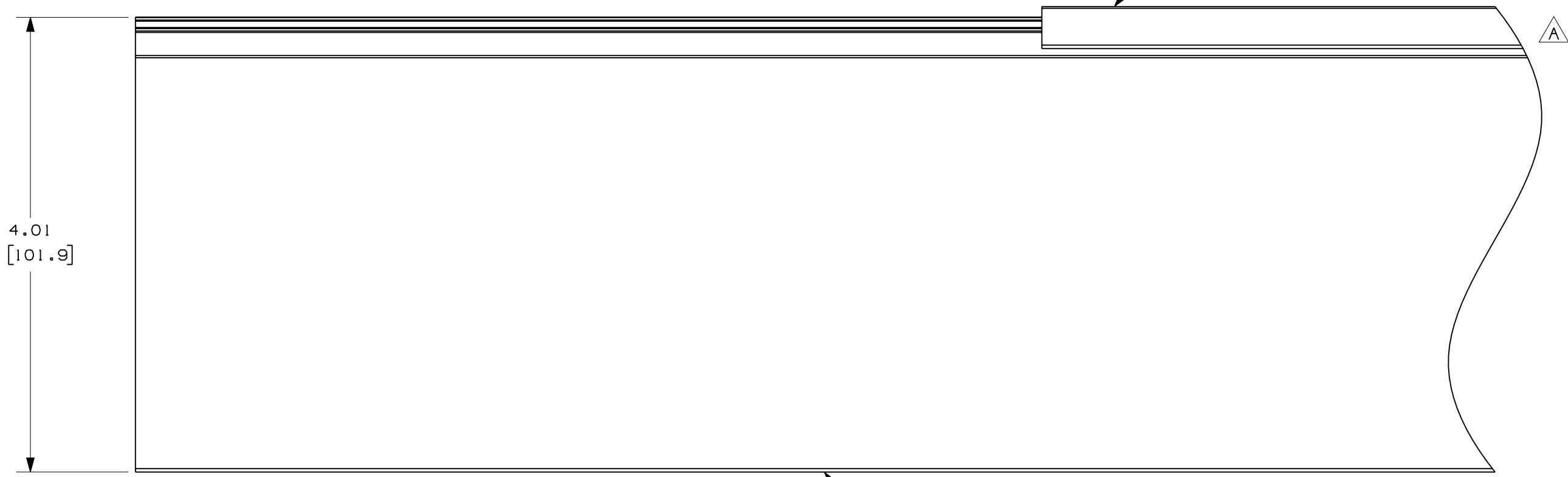
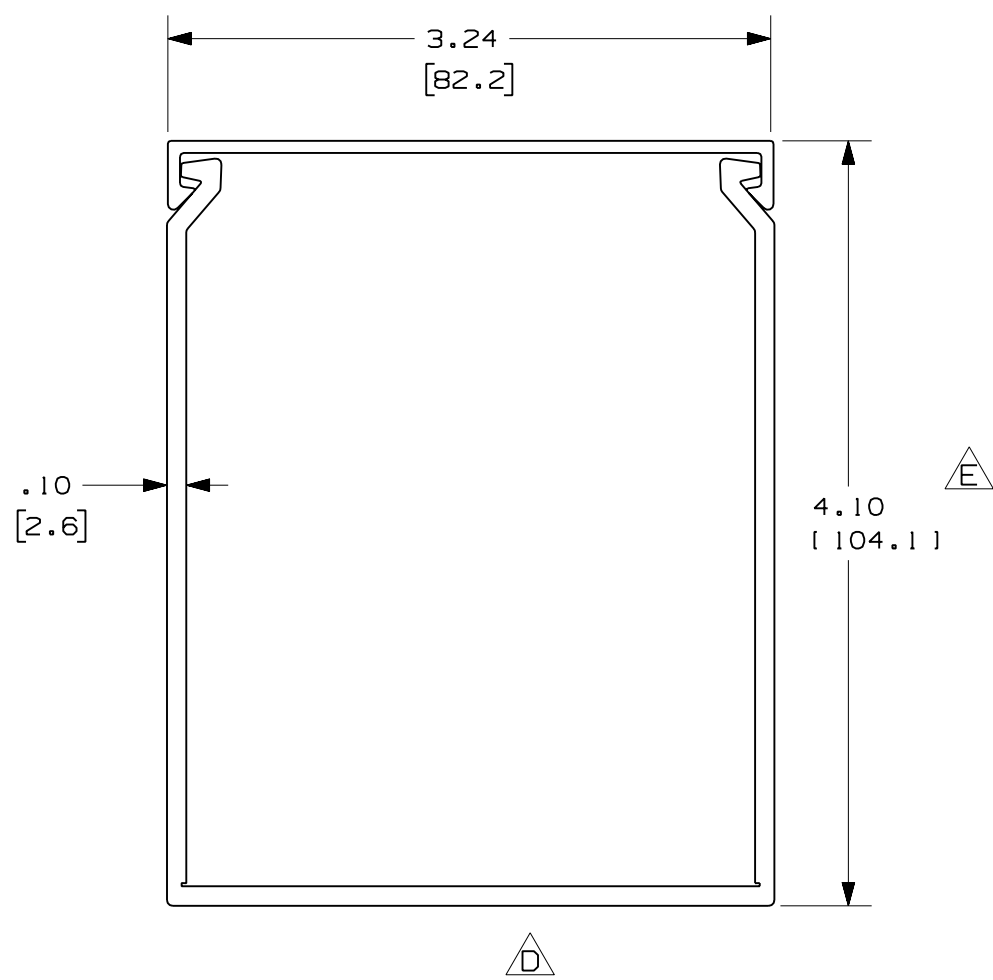
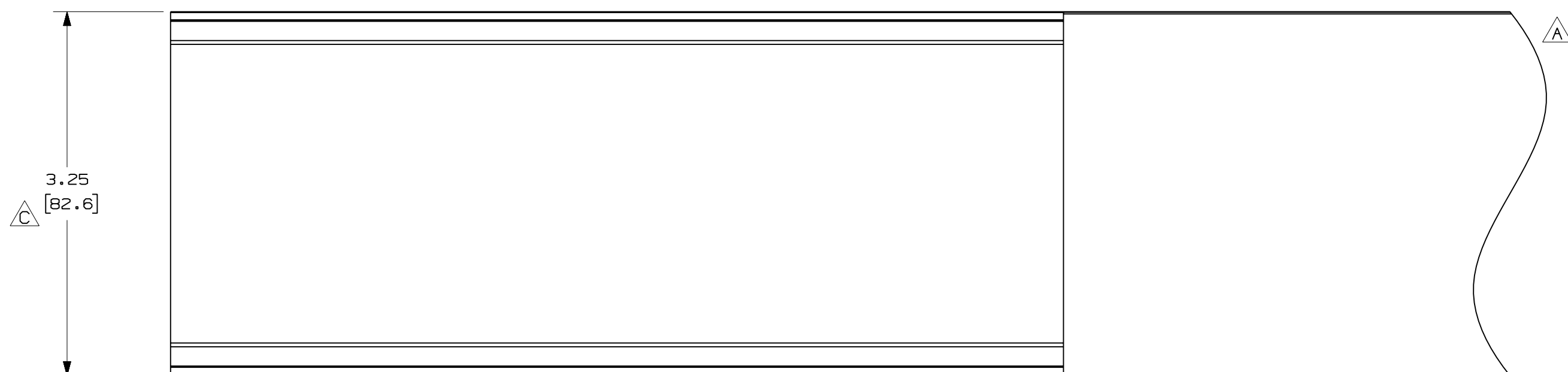


THIS COPY IS PROVIDED ON A RESTRICTED BASIS AND IS NOT TO BE USED IN ANY WAY DETRIMENTAL TO THE INTERESTS OF PANDUIT CORP.



COVER - - PART NUMBER C3**6

DUCT - - PART NUMBER FS3X4**6NM

A, F

- NOTES:
1. ALL DIMENSIONS ARE REFERENCE ONLY.
 2. DIMENSIONS IN PARENTHESIS ARE METRIC.
 3. THE ** DENOTE COLOR.
 4. DUCT AND COVER ARE AVAILABLE IN 6 FT [1828.8] LENGTHS.

REV	DATE	BY	CHK	DESCRIPTION
2	8-6-07	JCSTMKBE		F. ADDED LENGTH NOTE E. CORRECTED DIMENSION D. DELETED DIMENSION C. ADDED DIMENSION
1	10-13-05	JCSTMKBE		B. CHANGED DRAWING SIZE A. ADDED SIDE & TOP VIEWS, NOTES, AND LABELS
R	10-2-03	JHNL JGG		DRAWING RELEASED

CAD FILENAME/LAYERS		D11000FN_DC_02B	
PANDUIT CORP. TINLEY PARK, ILLINOIS			
WIRING DUCT - TYPE FS DUCT WITH COVER 3 X 4 MARKETING DRAWING			
DRWN BY JHNU	MAT'L: PVC	SCALE FULL	DWG NO.
DATE 10-2-03	CHECKED BY JGG	DWG NO. 36897-904	DWG SIZE C