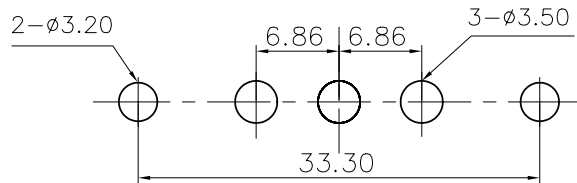
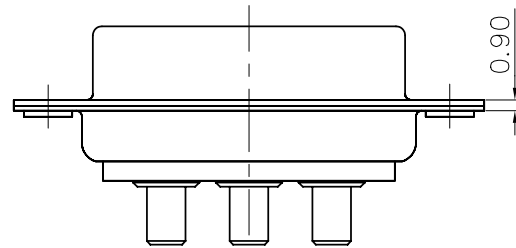
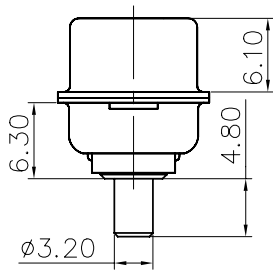
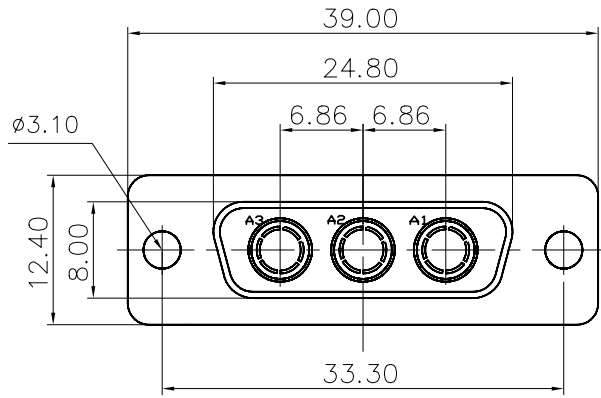


This document is the property of Amphenol Corporation and is delivered on the express condition that it is not to be disclosed, reproduced or used, in whole or in part, for manufacture or sale by anyone other than Amphenol Corporation without its prior consent, & that no right is granted to disclose or to use any information in this document.



RECOMMENDED P.C.B LAYOUT
(Tolerance +/-0.3)



Customer drawing

REVISIONS				
SYM	ECN	DESCRIPTION	DATE	APPROVED
A			01/15/08	

D-SUB TECHNICAL DATA

SHELL : Steel 2.5um(100u") min. tin over 1.25um(50u") min. nickel
 BODY : Glass filled thermoplastic.
 Flame retarding to UL94 V-0 Color Black
 CONTACT : Phosphor bronze
 Rear power contact: 100u" min. tin over 50u" min. nickel
 Front power contact: 0.4um(15u") min gold over 50u" min nickel
 ELECTRICAL : Voltage rating 300 V RMS at 50 Hz
 Current rating 20 to 40A
 Withstanding Voltage >1000 V RMS at 50 Hz for one minute
 Insulation resistance >5000 M Ohms
 Contact resistance 20 mOhms max.
 CLIMATIC : Temperature range -55 °C up to 155°C
 Damp heat 56 days(40 °C-95% HR)
 MARKING : Amphenol...(Series No.)
 Commercial reference
 Manufacturing date

PRODUCT CODE

L 77TW A 3W3 S P3Y

L: RoHS Compliance

77TW: tin plated shell

Shell Size :A

Straight contact combinations
P3Y=Power only
3.2 mm DIA.

Contact type:
S:Female
P: Male

Configuration: 3W3

UNLESS OTHERWISE SPECIFIED TOLERANCES		APPROVAL		DATE
U.S.	METRIC	DRAWN	Checked	
.X +/-	0.50	Sunny.Li	01/15/08	
.XX +/-	0.30	Hk.wang	01/15/08	
.XXX +/-	0.20	CHECKED		
FRACTIONS +/-	2'			
ANGLES +/-				
FOR MATERIALS AND FINISHES SEE NOTES		DRAWING FILE :		
REMOVE SHARP EDGES		ANGLE OF PROJECTION		
DIMENSIONS				
U.S.	INCHES			
METRIC	MM			

Amphenol

TITLE
Hybrid connector, TW series

SIZE	DRAWING NO.	REV.
A4	C L77TWA3W3SP3Y	A
SCALE	NONE	SHEET 1 OF 1