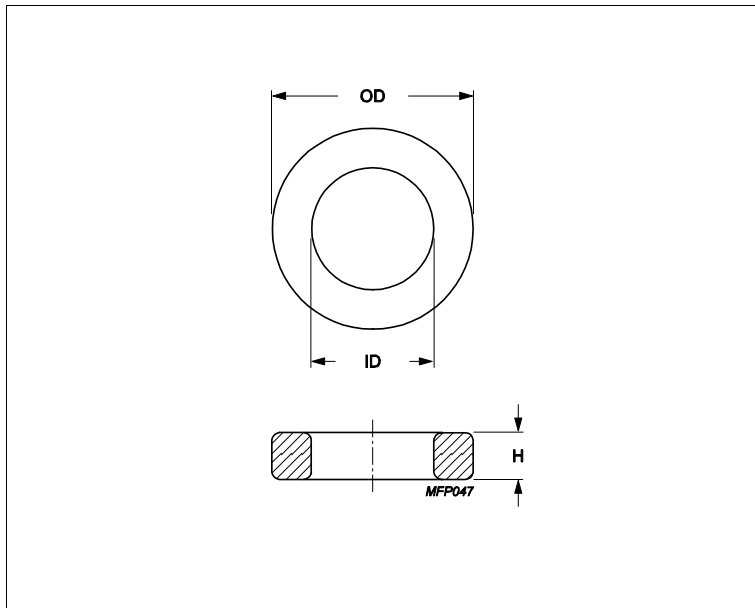


Core **Toroid 107/65/25**



Effective parameters				
	Parameter	Value	Unit	
	$\Sigma(I/A)$	core factor (C1)	0.504	mm ⁻¹
	Ve	effective volume	133000	mm ³
	Le	effective length	259	mm
	Ae	effective area	514	mm ²
	m	mass of core	≈ 680	g/pcs

Epoxy coating DC isolation voltage 2000.

Maximum operating temperature of the coating is 200°C.

Dimensions (mm)

Cores	OD	ID	H	
T107/65/25	107 ± 2	65 ± 1.3	25 ± 0.75	Uncoated
TX107/65/25	109.5 max	63.3 min	26.3 max	Epoxy Coated

Core data

Cores	Material	AI (nH/turns ²)	AI tolerance	μe
T107/65/25	3C11	10800	± 25%	≈ 4300
T107/65/25	3C94	5780	± 25%	≈ 2300
T107/65/25	3E27	13800	± 25%	≈ 5500

Core data

Cores	Material	AI (nH/turns ²)	AI tolerance	μe
TX107/65/25	3C11	10800	± 25%	≈ 4300
TX107/65/25	3C94	5780	± 25%	≈ 2300
TX107/65/25	3E27	13800	± 25%	≈ 5500