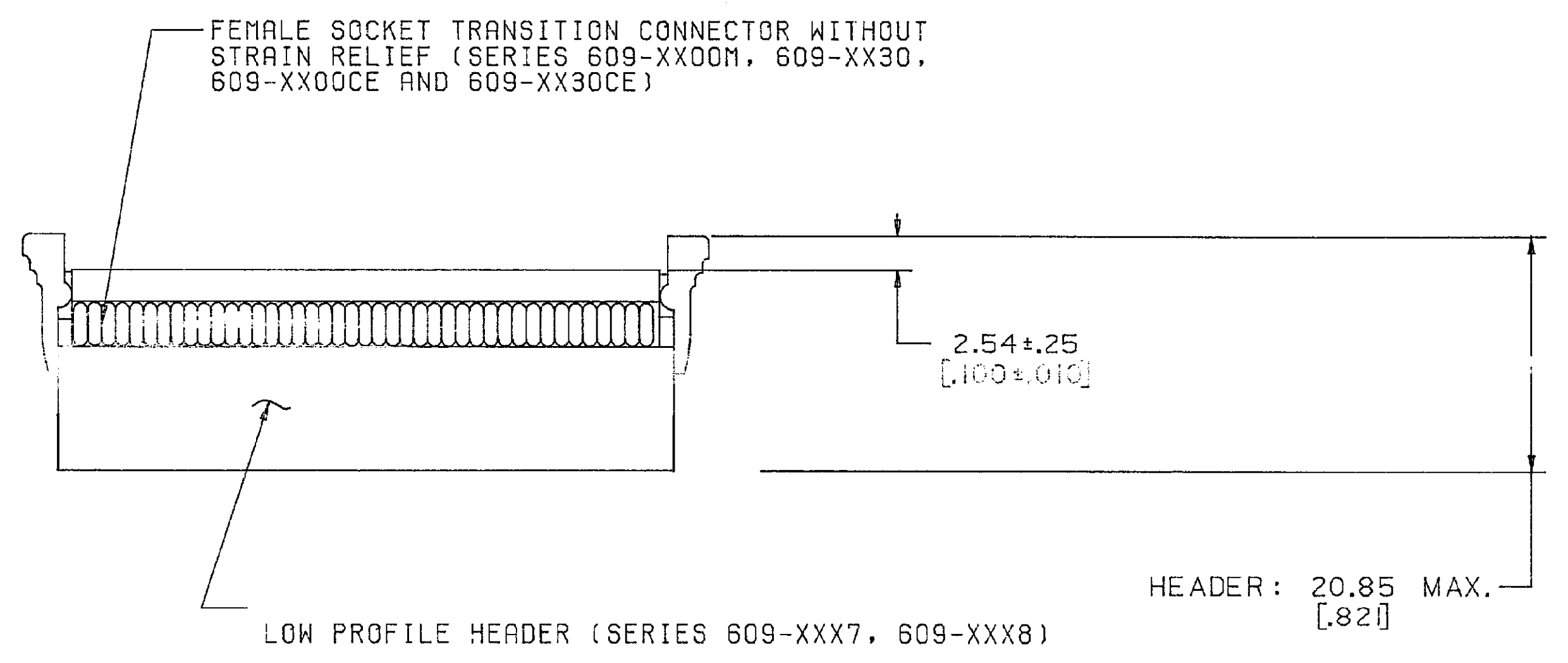
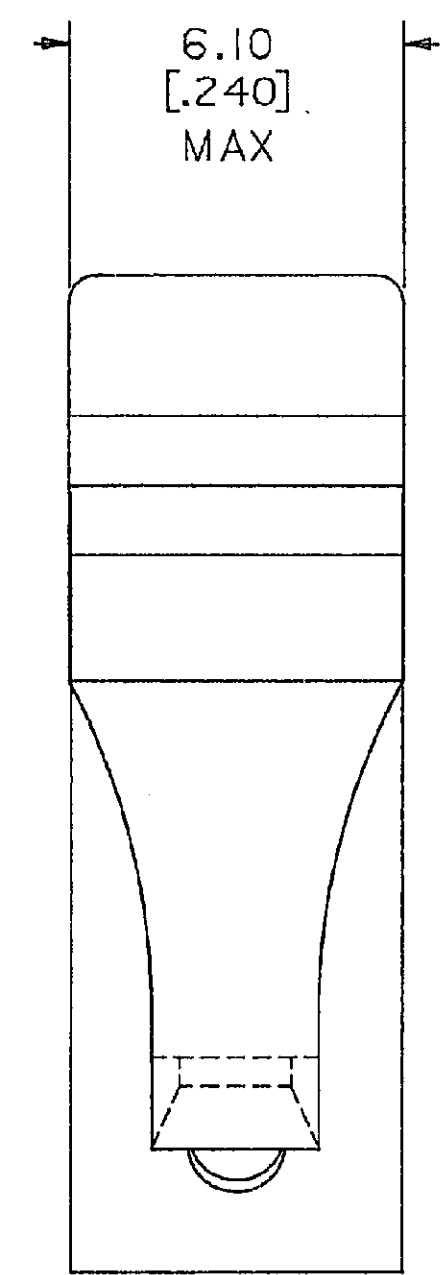
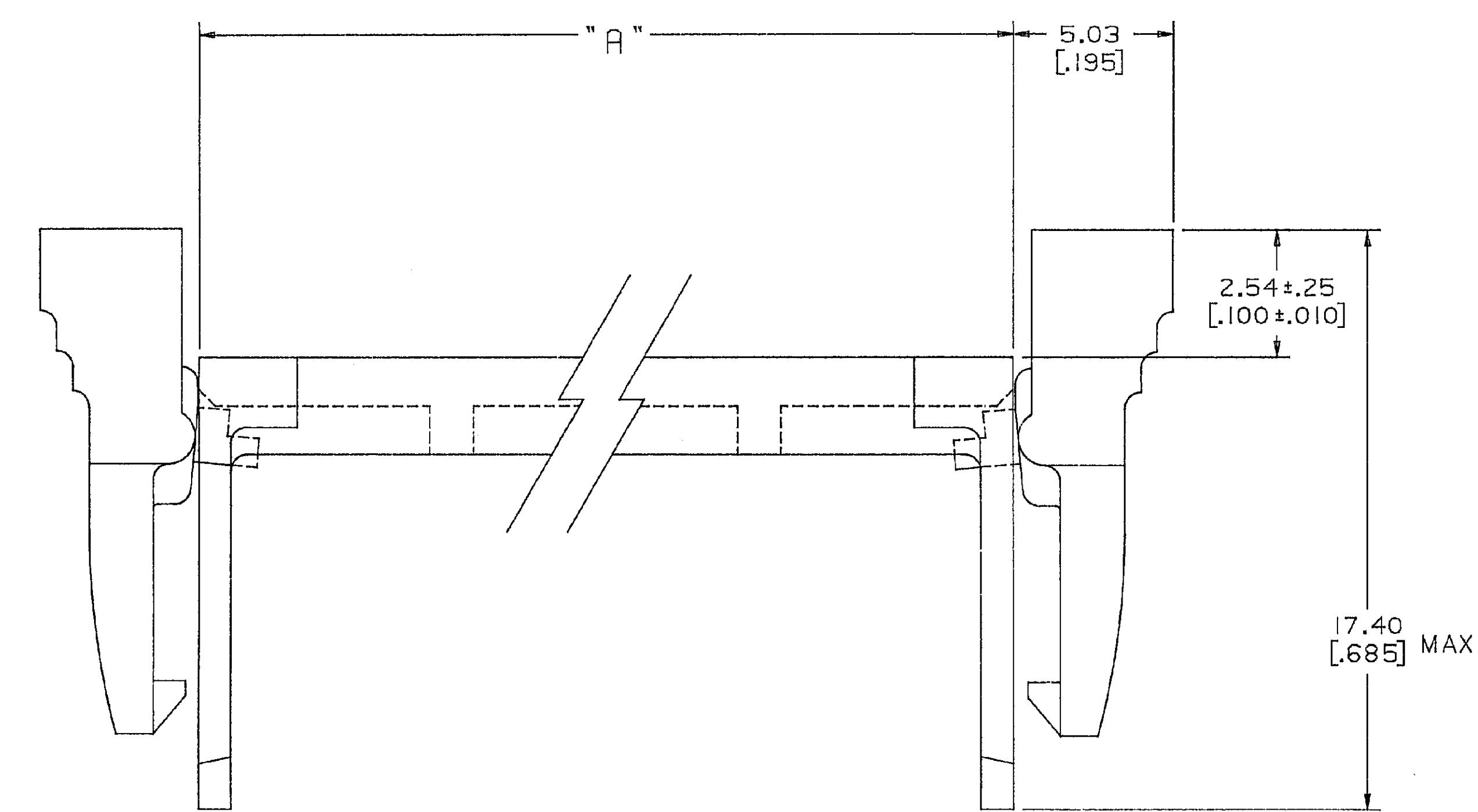


REV	REVISION RECORD	DATE	DWN	APVD
A	REVISED PER ECN-OS13-0331-05	27-Sep-06	JDP	CWR



TYPICAL MATING APPLICATION



1. MATERIAL: STRAIN RELIEF - 30% GLASS-FILLED POLYESTER.
LATCHES - NYLON.
COLOR: BLUE
2. ASSEMBLE LATCHES TO STRAIN RELIEF AS SHOWN.

OBSOLETE	85.85[3.380]	64	609-0008-64	1-1437020-6
OBSOLETE	80.77[3.180]	60	609-0008-60	1-1437020-5
OBSOLETE	75.69[2.980]	56	609-0008-56	1-1437020-4
OBSOLETE	68.07[2.680]	50	609-0008-50	1-1437020-3
OBSOLETE	60.45[2.380]	44	609-0008-44	1-1437020-2
OBSOLETE	55.37[2.180]	40	609-0008-40	1-1437020-1
OBSOLETE	50.29[1.980]	36	609-0008-36	1-1437020-0
OBSOLETE	47.75[1.880]	34	609-0008-34	1437020-9
	37.59[1.480]	26	609-0008-26	1437020-8
OBSOLETE	35.05[1.380]	24	609-0008-24	1437020-7
OBSOLETE	29.97[1.180]	20	609-0008-20	1437020-6
	24.89[0.980]	16	609-0008-16	1437020-5
	22.35[0.880]	14	609-0008-14	1437020-4
	17.27[0.680]	10	609-0008-10	1437020-3
	12.19[0.480]	6	609-0008-06	1437020-2
	A	NO OF POSITIONS	T & B P/N (REF)	TYCO P/N

REV	DATE	REV'S. NO.
3	3-31-86	D

DESCRIPTION: FEMALE SOCKET TRANSITION CONNECTOR RETAINER CLIP AND STRAIN RELIEF

1437020-2