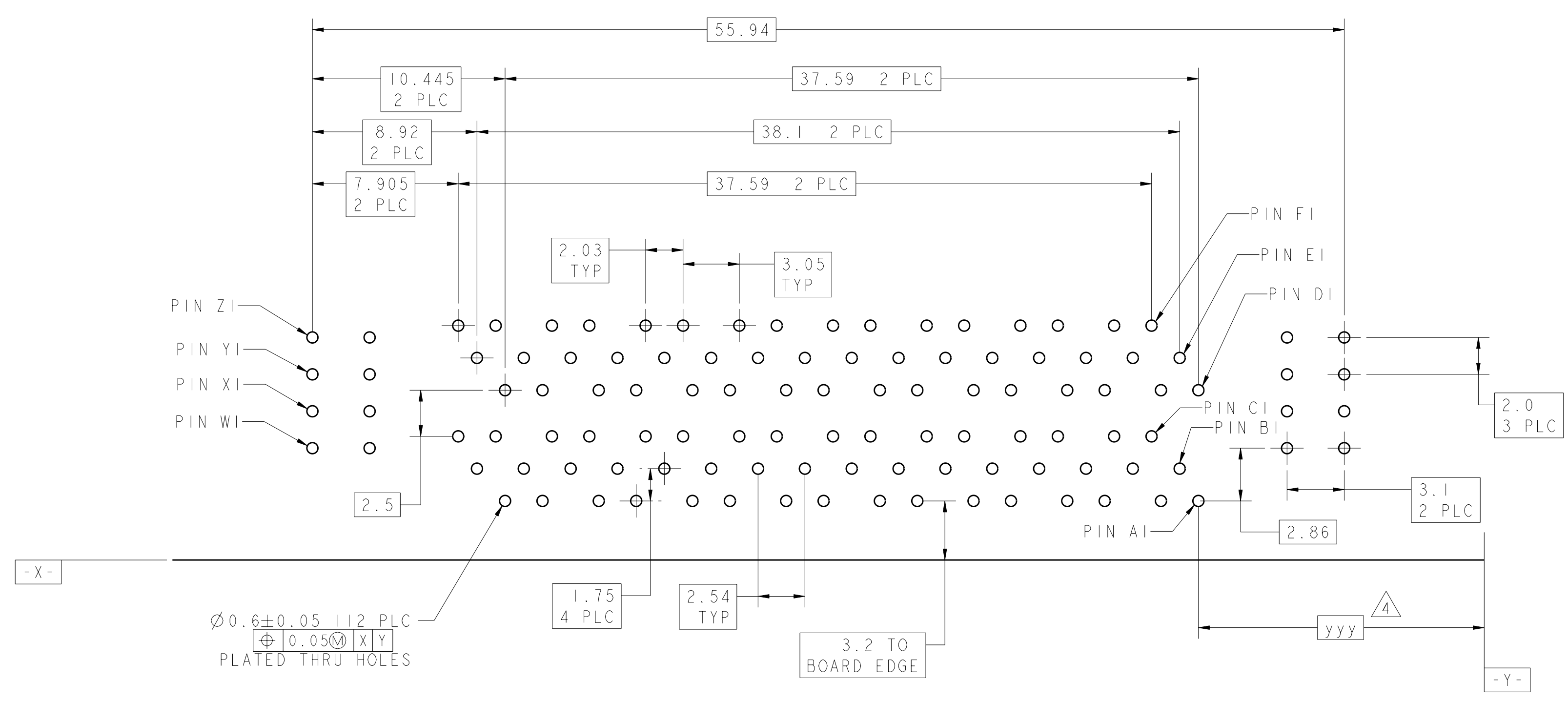
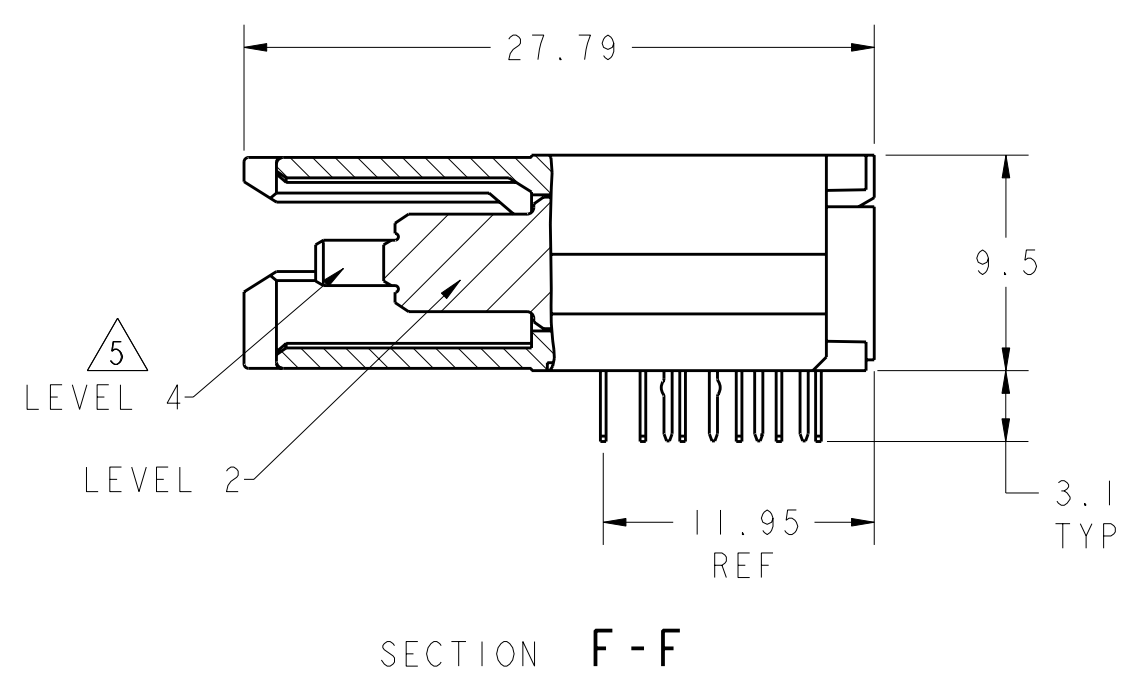
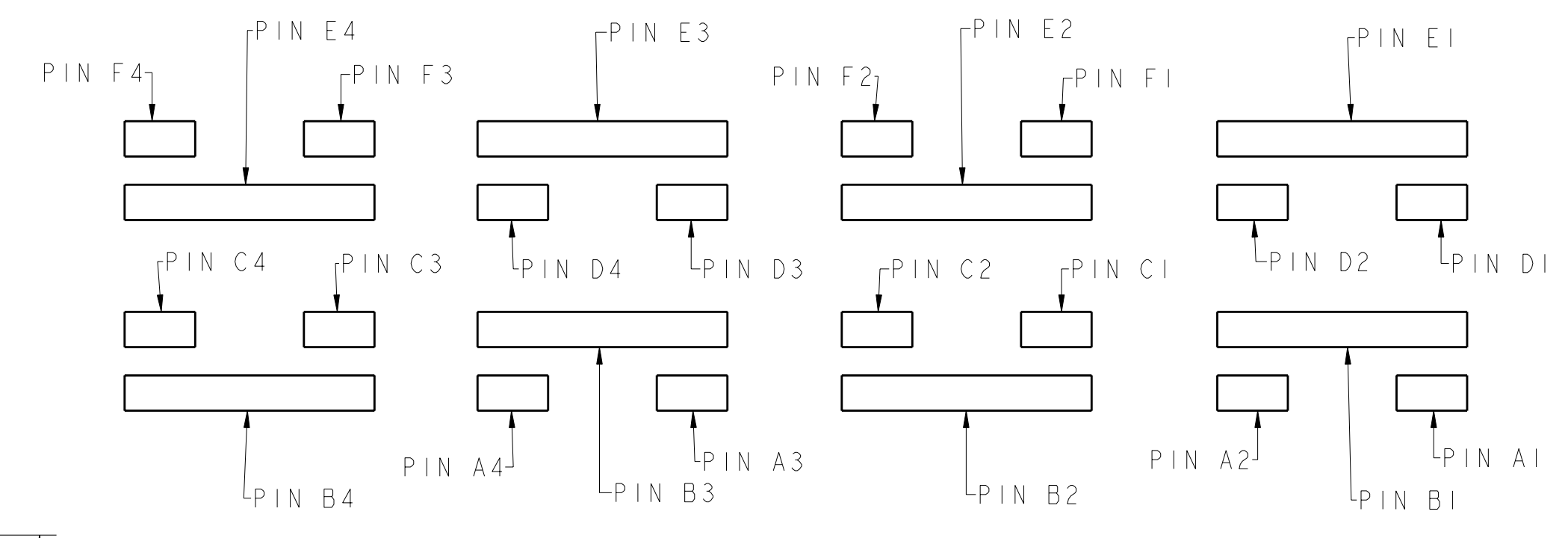
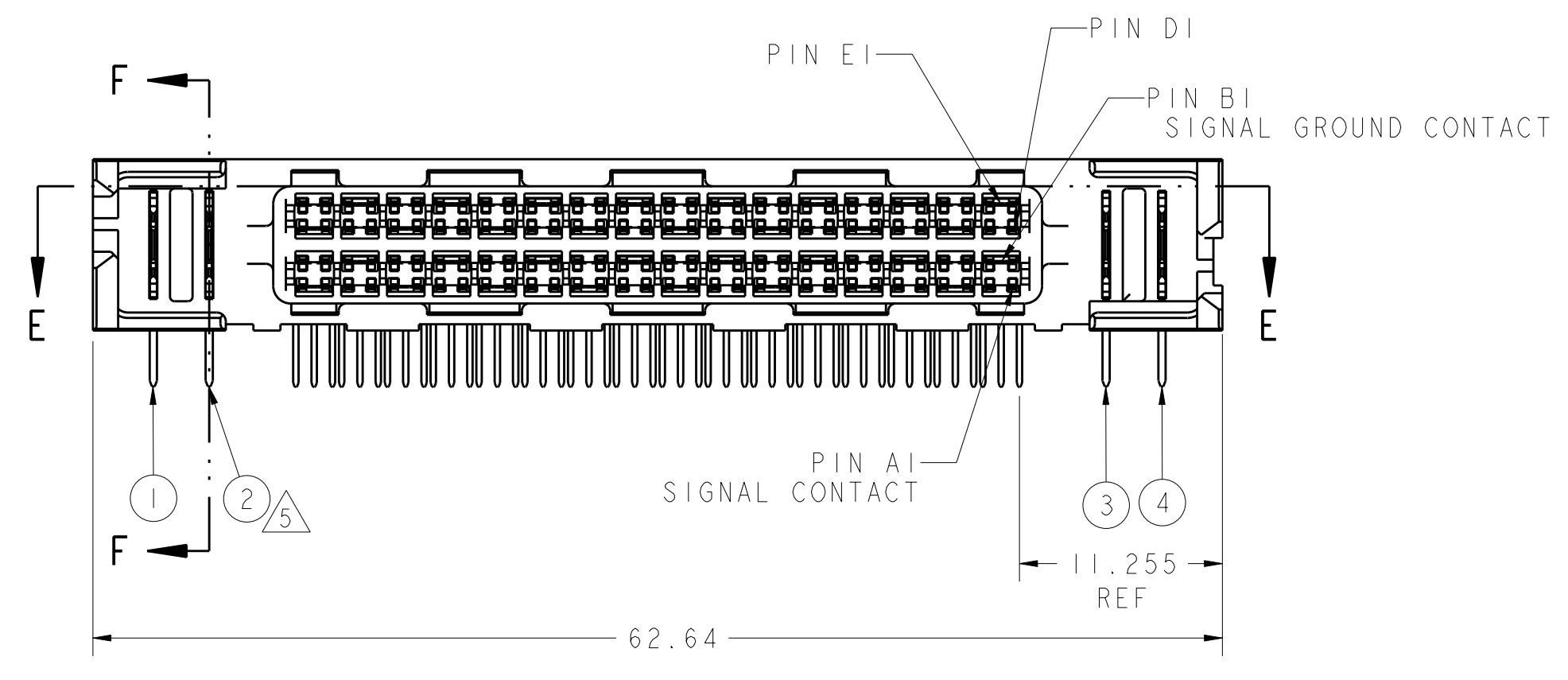
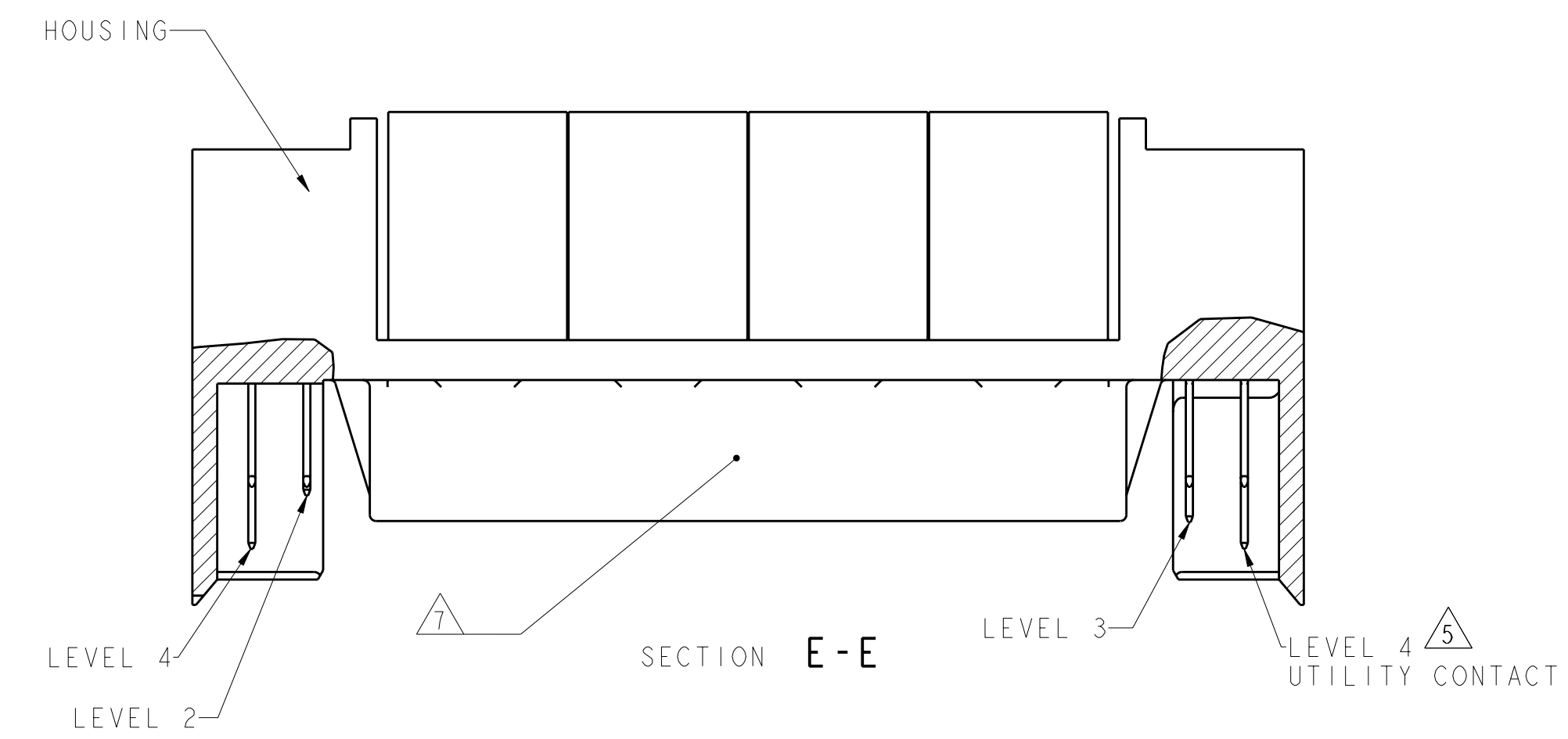


LOC	DIST	REV	DATE	BY	APPD
GP	00	B	14DEC2010	CJV	EJB

- 1 HOUSINGS: POLYESTER, UL 94V-0 RATED, NATURAL
 SIGNAL AND SIGNAL GROUND CONTACTS: COPPER ALLOY
 UTILITY CONTACTS: PHOSPHOR BRONZE
- 2 UTILITY CONTACTS: 0.76µm MIN GOLD IN CONTACT AREA,
 2.54µm MIN TIN-LEAD ON PCB TAILS, OVER 1.27µm MIN NICKEL OVER ALL.
 SIGNAL AND SIGNAL GROUND CONTACTS: 0.76µm MIN GOLD IN CONTACT AREA,
 2.54µm MIN TIN-LEAD ON PCB TAILS, OVER 1.27µm MIN NICKEL OVER ALL.
- 3. ROWS A, C, D, AND F ARE SIGNAL CONTACTS. ROWS B AND E ARE SIGNAL GROUND CONTACTS.
- 4 DIMENSIONS PER CUSTOMER BOARD LAYOUT.
- 5 SEE UTILITY CONTACT SEQUENCE TABLE FOR LOCATION AND LEVEL/LENGTH OF UTILITY CONTACTS
 FOR EACH PRODUCT PART NUMBER. UTILITY LEVEL 1 CAN BE USED FOR SENSING. UTILITY LEVELS
 2, 3, AND 4 CAN BE USED FOR POWER, GROUND, OR ESD. SEQUENCING SHOWN IN SECTION E-E
 SHOWS THREE LEVELS FOR COMPARISON. UTILITY LEVEL 2 EQUALS THE SIGNAL GROUND CONTACT LEVEL.
 SIGNAL LEVEL IS BETWEEN UTILITY LEVELS 1 AND 2.
- 6. BLOCK DIAGRAM AND CONTACT IDENTIFICATION APPLY TO COPLANAR NON-INVERTED APPLICATION ONLY.
 CONTACT IDENTIFICATION REVERSES FOR INVERTED APPLICATIONS, I.E COPLANAR OR MID-BOARD INVERTED.
- 7 COMPANY LOGO IN APPROXIMATE AREA SHOWN.



2	2	3	3	6367584-4
3	2	2	3	6367584-3
4	1	3	4	6367584-2
4	3	3	4	6367584-1
①	②	③	④	PART NUMBER

RECOMMENDED PC BOARD FOOTPRINT
 COMPONENT SIDE SHOWN
 SCALE 5:1

DIMENSIONS: mm 		TOLERANCES UNLESS OTHERWISE SPECIFIED: 9 PLC ±0.3 1 PLC ±0.25 5 PLC ±0.25 4 PLC ±0.25 ANGLES ±0.5°		DWN C. VALENTINE 14DEC2010 CHK P. RECCE 14DEC2010 APVD P. RECCE 14DEC2010		Tyco Electronics Harrisburg, PA 17105-3608	
MATERIAL:		FINISH:		NAME: Z-DOK+ ADAPTER BOARD CONNECTOR ASSEMBLY, 32 SIGNAL DIFF. PAIR, 2 UTILITY CONTACTS PER SIDE		SIZE: 114-13068 WEIGHT: - CUSTOMER DRAWING	
SCALE 3:1		SHEET 1 OF 1		REV B		RESTRICTED TO	