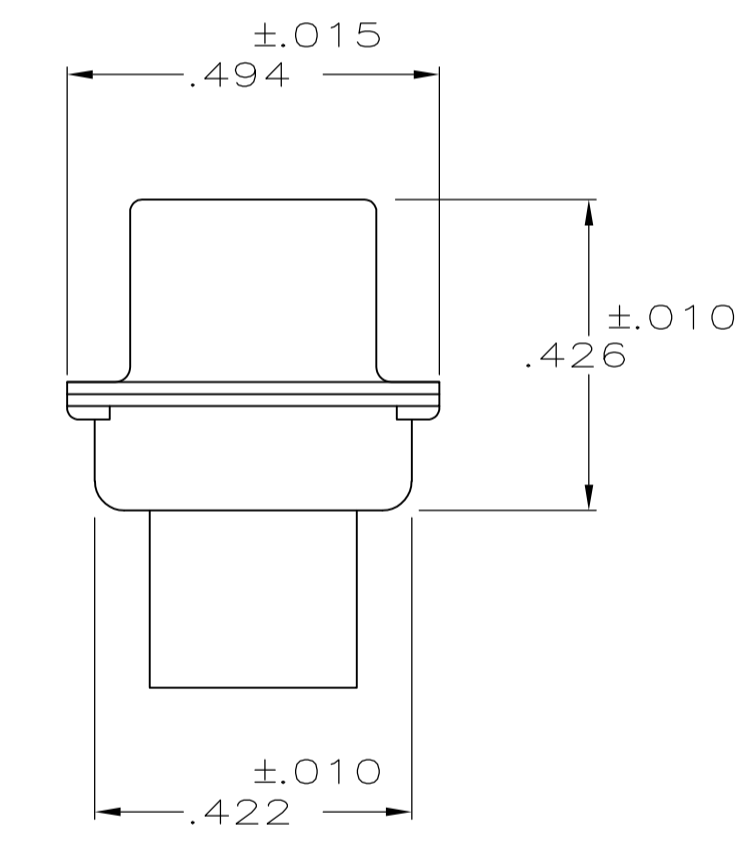
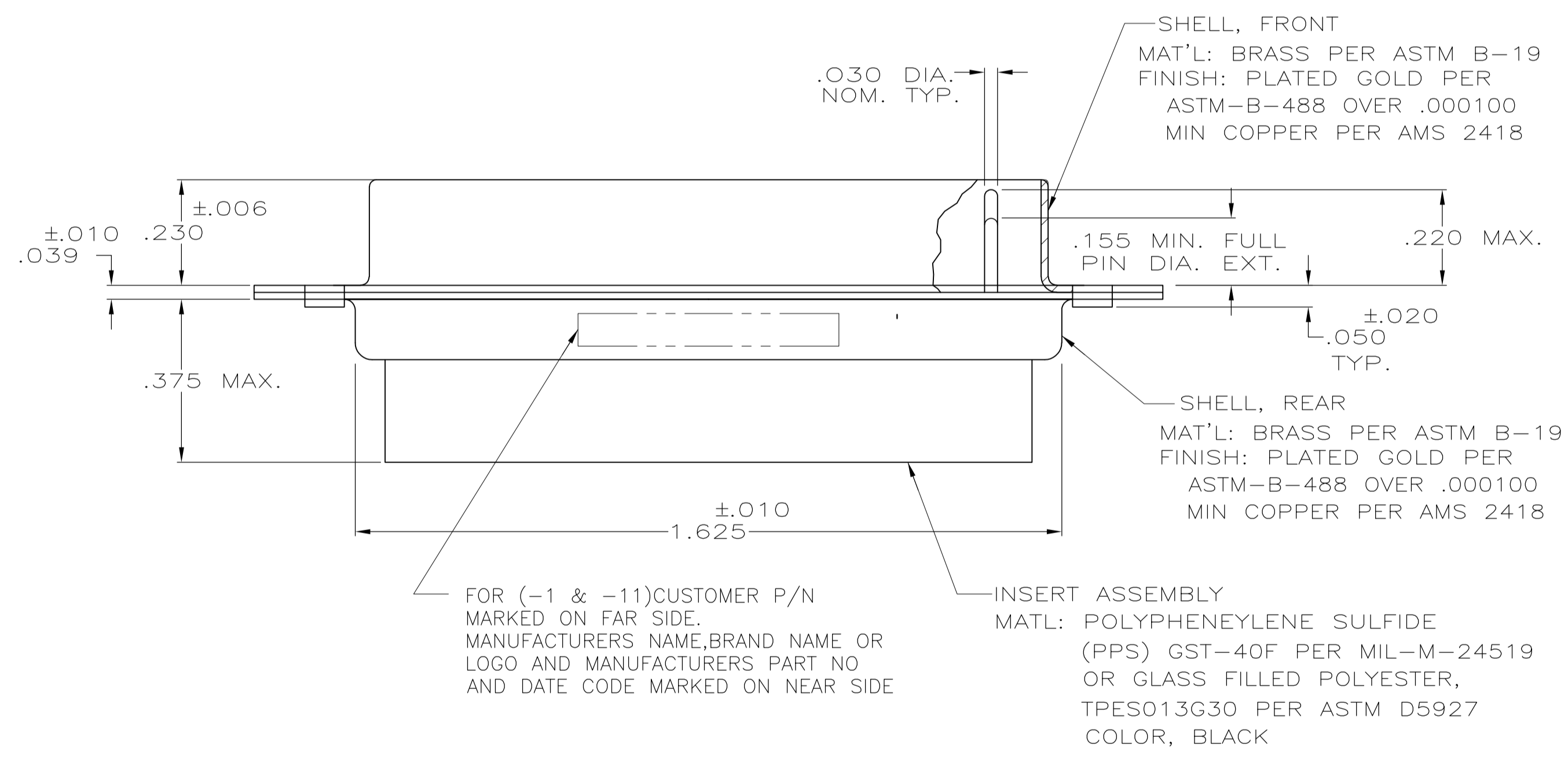
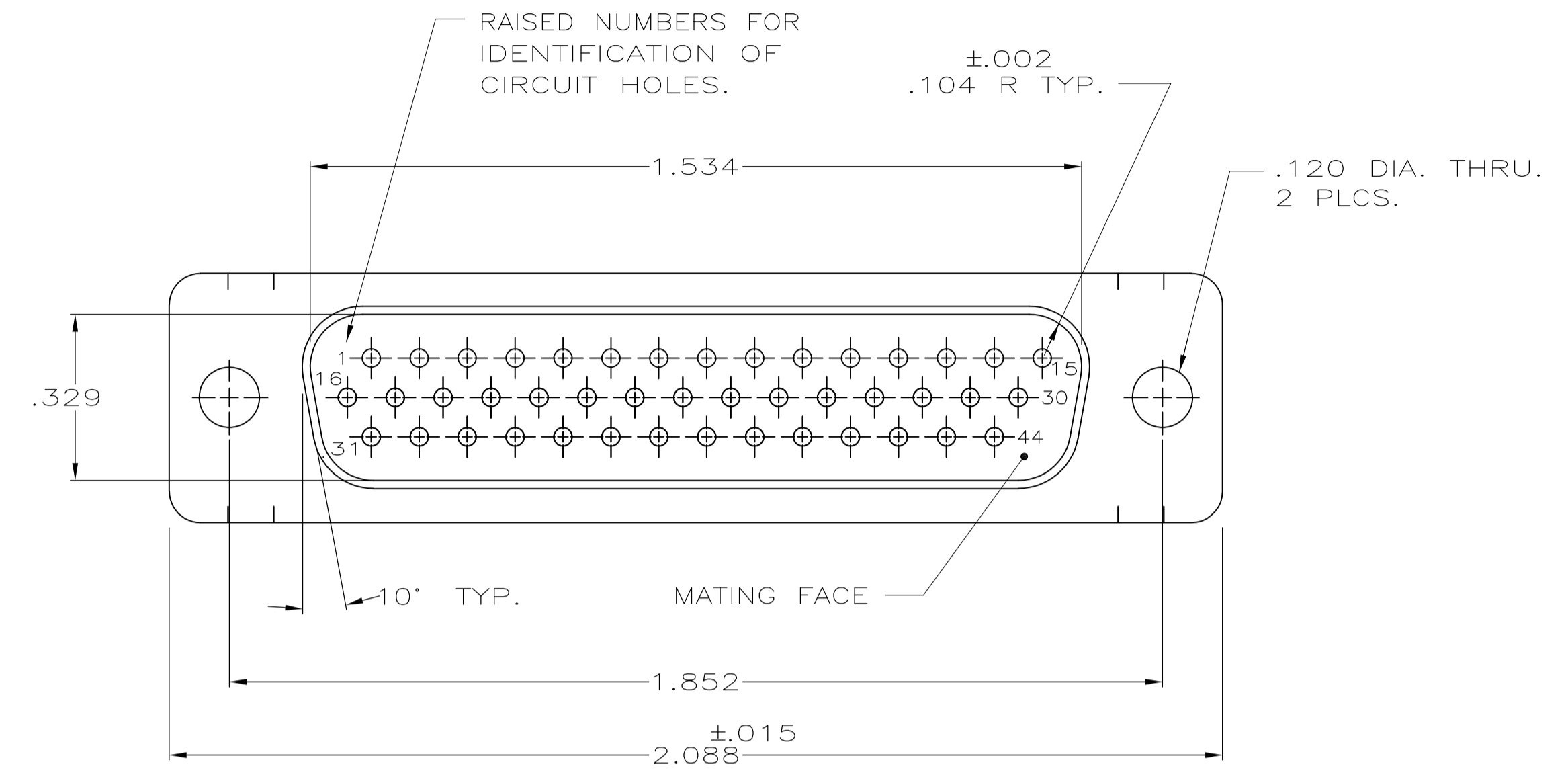


LOC		DIST		REVISIONS			
DF	DO	REV	PER	ECO	DATE	DWN	APVD
E		REV PER	ECO	08-022905	16OCT2008	PK	BW

1. THIS PLUG WILL MATE WITH ANY SIZE 3,44 POSN. RECEPTACLE IN AMPLIMITE SERIES.
2. CONNECTOR SUPPLIED WITHOUT CONTACTS; SHOWN FOR ILLUSTRATION ONLY.
3. BE-CU RETENTION CLIPS ARE INCLUDED IN INSERTS AND INSTALLED WITH TINES POINTING TOWARDS MATING FACE.
4. OVERALL DIMENSIONS DO NOT INCLUDE RAISED CAVITY IDENTIFICATION
5. MARKING FAR SIDE REFERS TO WIDE SIDE OF KEYSTONE. NEAR SIDE REFERS TO NARROW SIDE OF KEYSTONE
6. 100% INSPECTION REQUIRED PER BOEING 1B01:
 A. VISUAL
 B. DWV
 C. IR
7. CUSTOMER REQUIRES SINGLE LOT DATE CODE.



REMARKS	CUSTOMER MARKING	PART NO.
6	1B01-009PHW	1-211651-1
6	1B01-009	211651-1

THIS DRAWING IS A CONTROLLED DOCUMENT.

DWN: D. ERDMAN	3-12-84	Tyco Electronics Corporation Harrisburg, PA 17105-3608
CHK: B. YOHN	4-26-84	
APVD: G. SACUNAS	7-5-84	NAME: G. SACUNAS
DIMENSIONS: INCHES TOLERANCES UNLESS OTHERWISE SPECIFIED: 0 PLC ± - 1 PLC ± - 2 PLC ± - 3 PLC ± .005 4 PLC ± - ANGLES ± 0'30"		PRODUCT SPEC: PLUG ASS'Y., AMPLIMITE, 44 POSN., SIZE 3, SERIES 90 APPLICATION SPEC: NON-MAGNETIC
MATERIAL: SEE CALLOUTS	FINISH: SEE CALLOUTS	SIZE: A1 CAGE CODE: 00779 DRAWING NO: 211651 RESTRICTED TO: -
CUSTOMER DRAWING		SCALE: 4:1 SHEET: 1 OF 1 REV: E