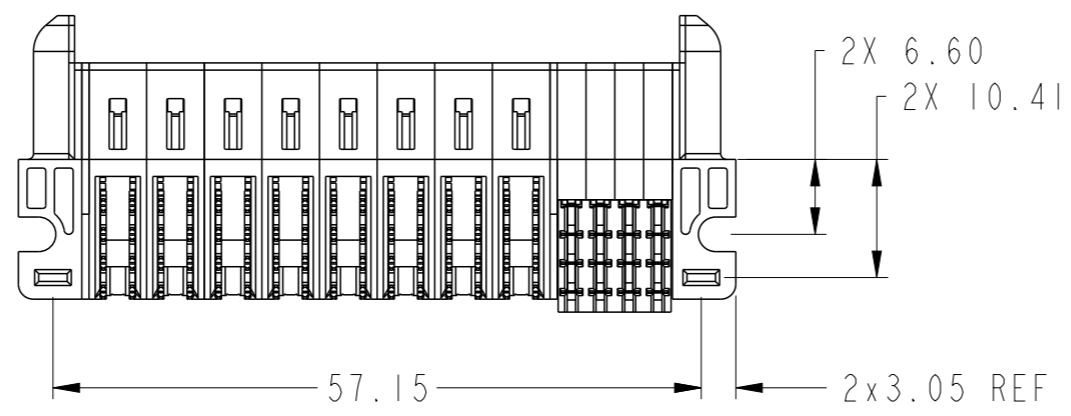
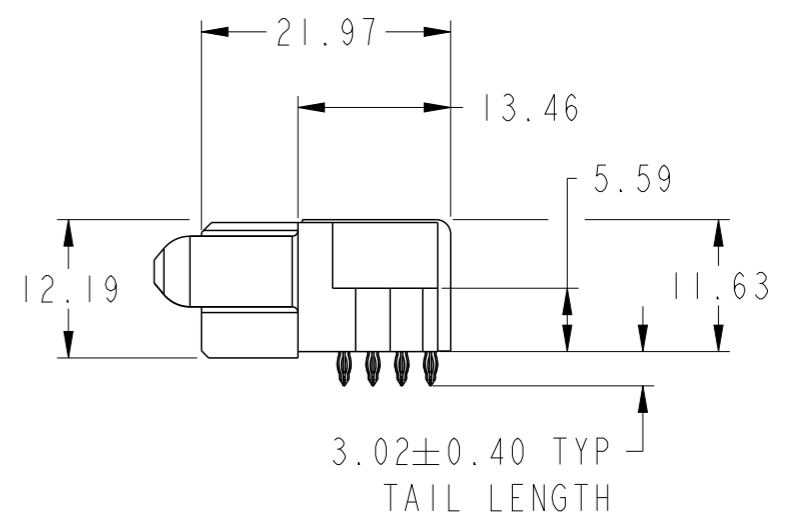
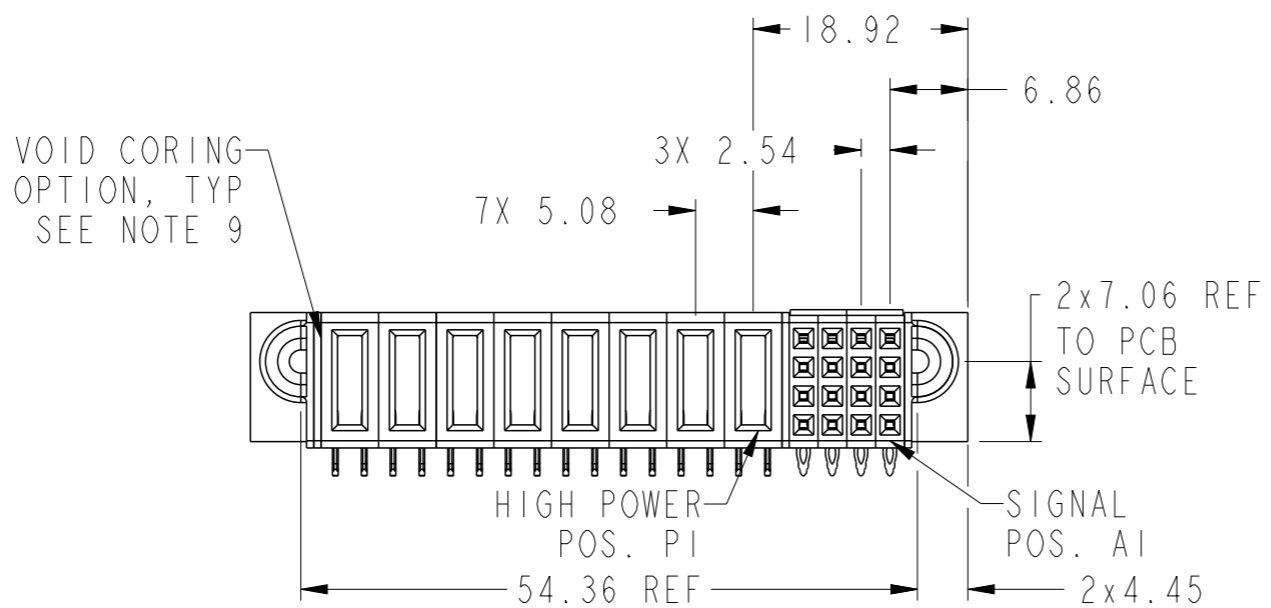
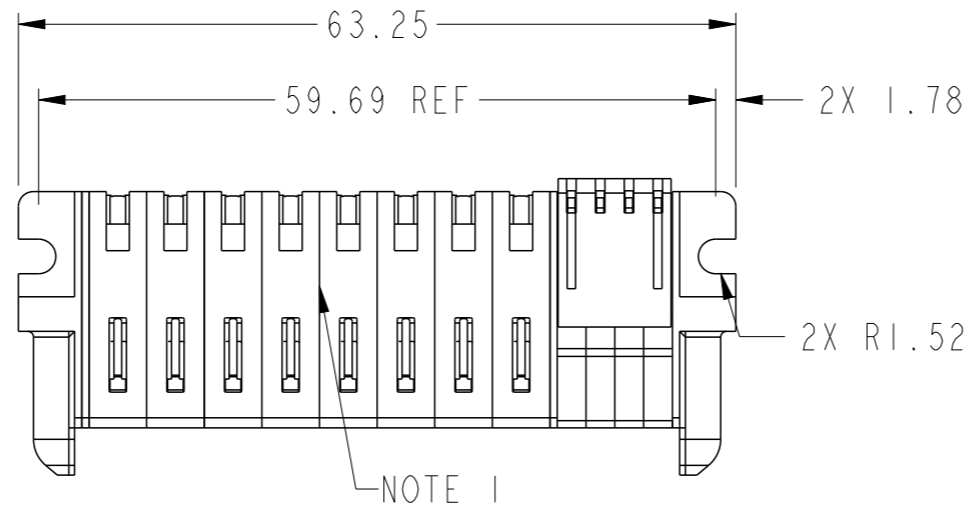


PRODUCT NUMBER SEE SHEET 2



VOID CORING
OPTION, TYP
SEE NOTE 9

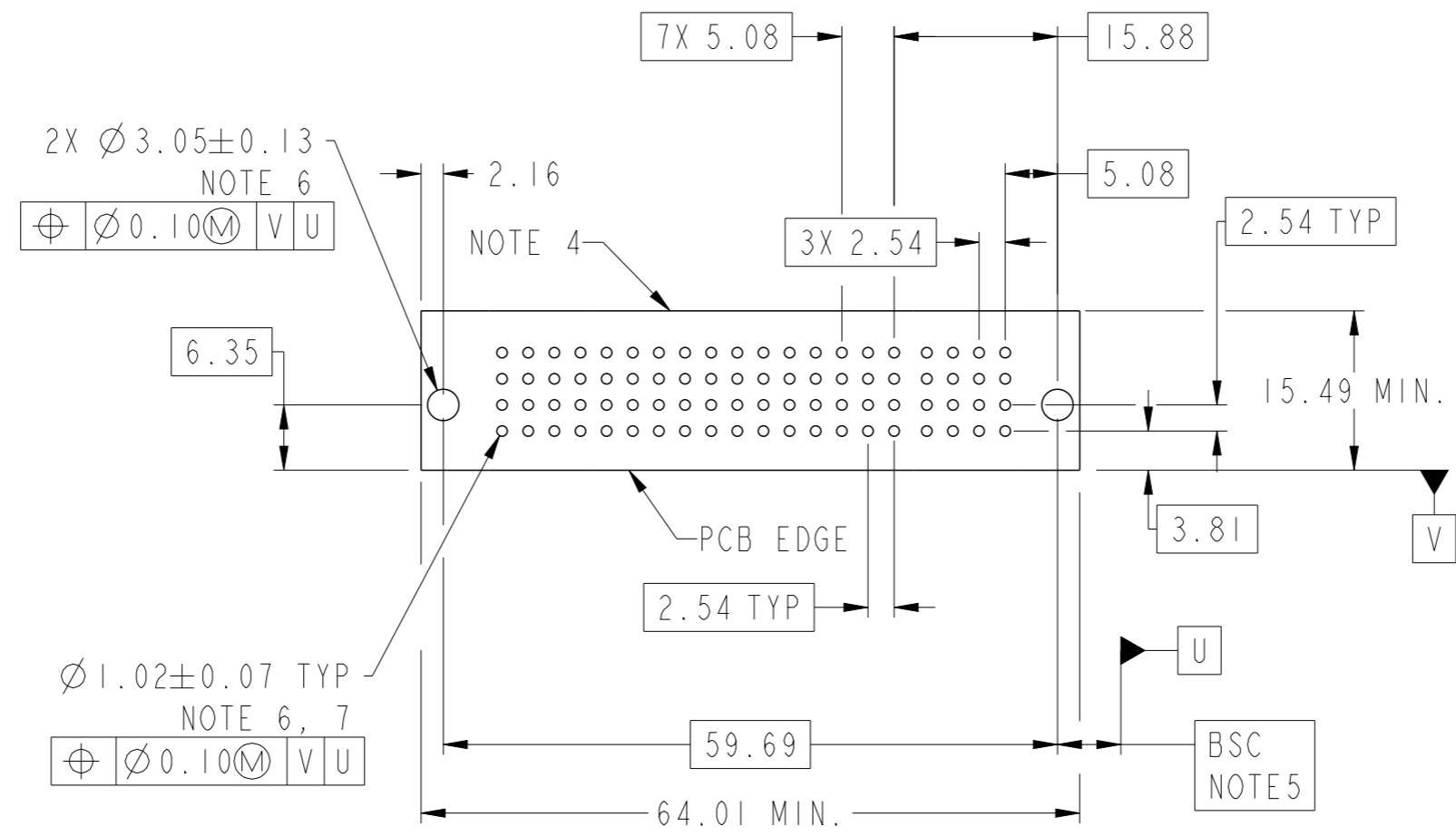
Amphenol
FCi

© 2016 AFCI

spec ref		dr	Bob Xie	2014/02/12	projection 	MM ←→	size	A3	scale	3:2	
tolerance std		eng	Vicking Liu	2016/10/31			ecn no	ELX-DG-25195-1			
ISO 1302 ISO 1101		chr	Fancy Zhang	2016/11/02			rel level	Released			
TOLERANCES UNLESS OTHERWISE SPECIFIED		appr	Pei-Ming Zheng	2016/11/02	product family		PwrBlade+		rev		
surface	linear	0.X	±0.5	Amphenol FCi	part no		16S + 8HDP		dwg no	10106135-8004001	rev B
		0.XX	±0.25		RA RECEPTACLE PF						
		0.XXX	±0.10		cat. no.	Product - Customer Drw		sheet 1 of 3			
ISO 1302	angular	0°	±2°								

PRODUCT NO. 10106135-8004001LF	ROWS DCBA	HIGH POWER								SIG				E1	E2
		P8	P7	P6	P5	P4	P3	P2	P1	4	3	2	1		
		H7 H7 H7 H7 H7 H7 H7 H7								S S S S R R R R P P P P N N N N					

CODE	DESCRIPTION
H7	STD HIGH POWER CONTACT(3.02)
N	STD SIGNAL CONTACT, ROW A
P	STD SIGNAL CONTACT, ROW B
R	STD SIGNAL CONTACT, ROW C
S	STD SIGNAL CONTACT, ROW D



Amphenol
FCi

© 2016 AFci

spec ref	dr	Bob Xie	2014/02/12	projection	MM	size	A3	scale	3:2
tolerance std	eng	Vicking Liu	2016/10/31			ecn no	ELX-DG-25195-1	rel level	Released
ISO 1302 ISO 1101	chr	Fancy Zhang	2016/11/02						
surface	appr	Pei-Ming Zheng	2016/11/02			part no	16S + 8HDP	dwg no	10106135-8004001
ISO 1302				RA RECEPTACLE PF		rev	B	Product - Customer Drw	
				cat. no.		sheet 2 of 3			

A

B

C

D

A

B

C

D

NOTES:

- 1) PRODUCT MARK:
PART NUMBER AND DATE CODE TO BE MARKED ON THIS SURFACE .
THE MARK CAN BE OMITTED IF THERE IS NOT ENOUGH SPACE ON THIS SURFACE.
- 2) MATERIALS:
-HOUSING : HIGH TEMP THERMOPLASTIC WITH GLASS FIBER, UL94V-0, BLACK.
-POWER CONTACT : HIGH CONDUCTIVITY COPPER ALLOY.
-SIGNAL CONTACT : COPPER ALLOY.
- 3) PLATING SPECIFICATION : 10116351
- 4) DENOTES CONNECTOR KEEP OUT ZONE.
- 5) DATUM AND BASIC DIMENIONS ARE ESTABLISHED BY CUSTOMER.
- 6) ALL HOLE DIAMETERS ARE FINISHED HOLE SIZES.
- 7) 1.15+/-0.025MM DRILLED HOLE PLATED WITH 0.00762MM MIN SN
OVER 0.0254-0.0762MM CU PLATING TO ACHIEVE A 1.02+/-0.07MM HOLE.
- 8) THIS PRODUCT MEETS EUROPEAN UNION DIRECTIVES AND OTHER COUNTRY
REGULATIONS AS DESCRIBED IN GS-47-0004.
- 9) THE VOID CORING IN BETWEEN POWER MODULES, SIGNAL MODULES AND
END MODULES ARE OPTIONAL AND THE SHAPE MAY BE DIFFERENT FOR
OPTIMIZE THE MOLDING PROCESS. THE VOID CORING WILL NOT EFFECT
TO PRODUCT FUNCTION.
- 10) PRODUCT SPECIFICATION : GS-12-658.
APPLICATION SPECIFICATION : GS-20-141.
PRODUCT PACKAGE SPECIFICATION: GS-14-1502.

Amphenol
FCi

© 2016 AFCI

spec ref		dr	Bob Xie	2014/02/12	projection 	MM ←→	size	A3	scale	3:2
tolerance std		eng	Vicking Liu	2016/10/31			ecn no	ELX-DG-25195-1		
ISO 1302 ISO 1101		TOLERANCES UNLESS OTHERWISE SPECIFIED		chr			Fancy Zhang	2016/11/02	rel level	Released
surface	linear	0.X	±0.5	Amphenol FCi	16S + 8HDP	dwg no	10106135-8004001	rev	B	
		0.XX	±0.25							
ISO 1302	angular	0°	±2°							cat. no.